



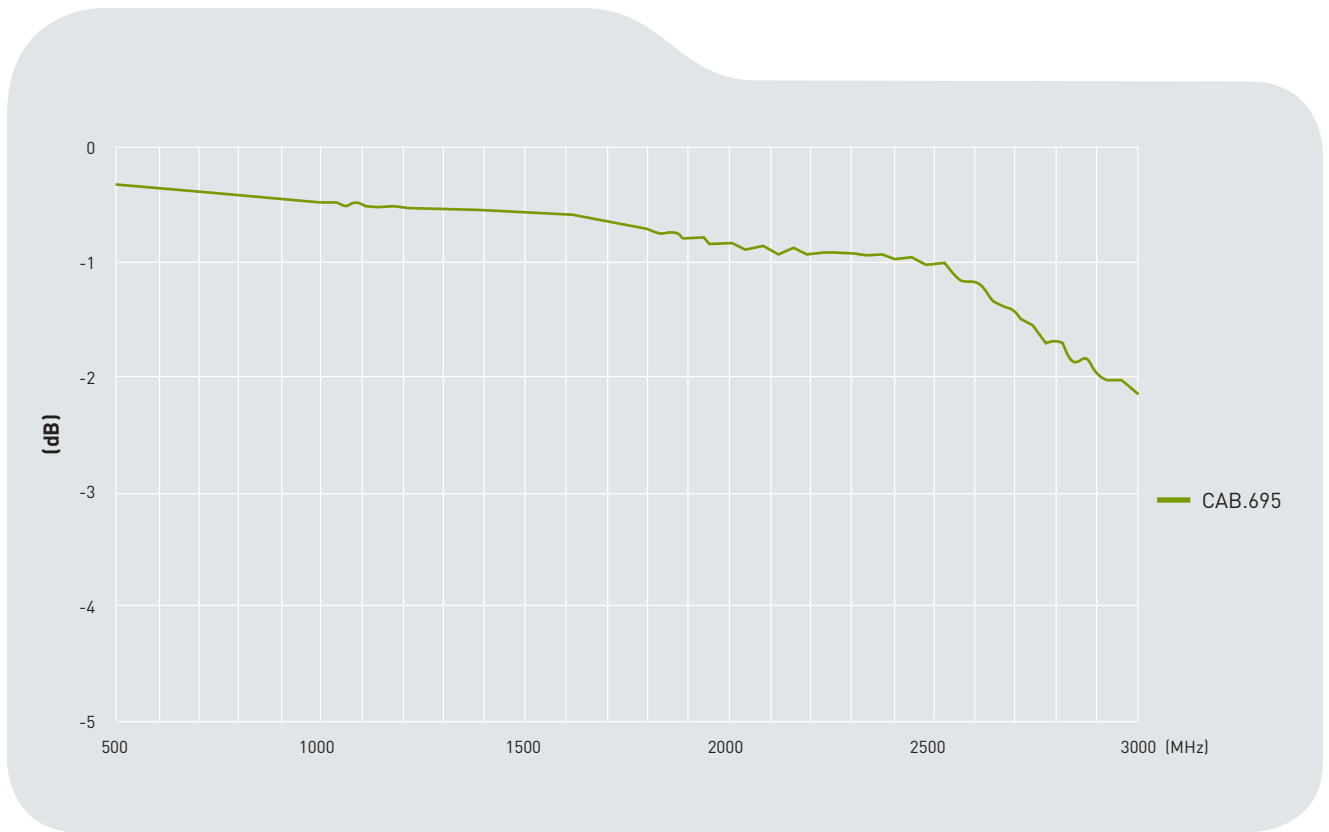
Close-up of CAB.695

**CAB.695**

## Specification

<b>Part No.</b>	<b>CAB.695</b>
<b>Product Name</b>	<b>CAB.695</b> Taoglas Cable Assembly IPEX MHF1 to FME Bulkhead Straight Jack RG-178 100mm DC-200MHz

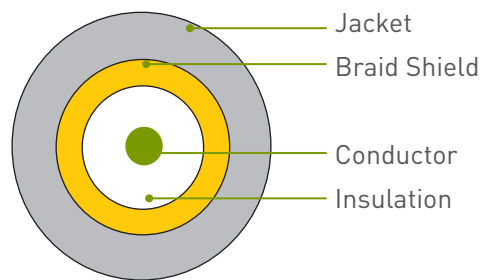
# 1. Cable Insertion Loss



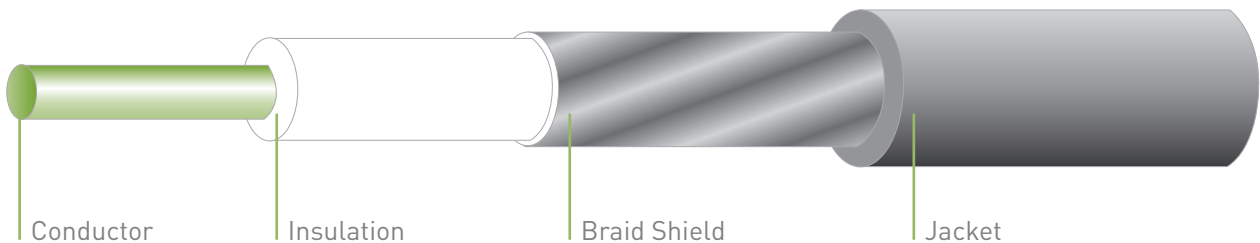
**(Note: FME connector operation frequency range:DC-200MHz)**

## 2. RG.178 Cable Specification

### 2.1 Drawing - Cross Section



### 2.2 Structure and Dimensions



#### Conductor

- Material - Silver Coated Copper
- 30AWG(7/0.102mm)
- Diameter - 0.31mm

#### Insulation

- Material - FEP
- Avg. Thickness - 0.28mm
- Diameter -  $0.86 \pm 0.03$ mm
- Colour - Clear

#### Braid Shield

- Material - Silver Coated Copper
- Structure - 16/6/0.050mm  $\pm 0.003$
- Coverage - 95%
- Diameter -  $1.30 \pm 0.04$ mm

#### Jacket

- Material - FEP
- Avg. Thickness - 0.25mm
- Diameter -  $1.80 \pm 0.06$ mm
- Color - Brown

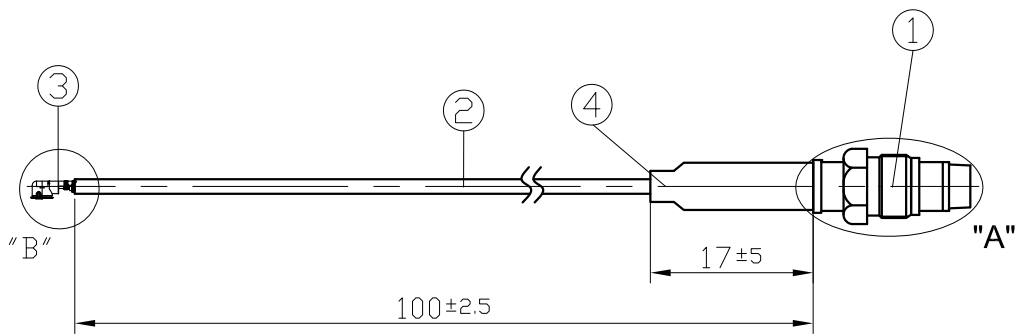
## 2.3 Electrical & Physical Specification

### Specification

<b>Item</b>	30 AWG		
<b>Rating Temp Voltage</b>	105°C 30V UL 1979		
<b>Insulation Resistance</b>	3000 MEGA OHM-KM Min.		
<b>Conductor Resistance</b>	838 OHM/KM/20°C Max.		
<b>Dielectric Strength</b>	AC 1.0 KV/minute		
<b>Spark test</b>	2.5 KV		
<b>Insulation</b>	Unaged	Tensile Strength	2500 PSI Min. (1.76Kg/mm <sup>2</sup> )
		Elongation	200% min.
	Aged	Tensile Strength	Unaged Min 75% (168HRS*232°C)
		Elongation	Unaged Min 75% (168HRS*232°C)
<b>Jacket</b>	Unaged	Tensile Strength	2500 PSI Min. (1.76Kg/mm <sup>2</sup> )
		Elongation	200% min.
	Aged	Tensile Strength	Unaged Min 75% (168HRS*232°C)
		Elongation	Unaged Min 75% (168HRS*232°C)
<b>Nom. Impedance</b>	50 ± 3 Ohms		
<b>Nom. Capacitance</b>	95.8 ± 3 pF/m		
<b>Nom. Vel. Of Prop.</b>	69.5%		
<b>VSWR (0-6GHz)</b>	Max 1.3		
<b>Attenuation (dB/1M)</b>	1.0GHz	1.70	
	2.0GHz	2.50	
	3.0GHz	3.20	
	4.0GHz	3.60	
	5.0GHz	3.95	
	6.0GHz	4.80	

### 3. Technical Drawing

#### 3.1 CAB.695



	Name	Material	Finish	QTY
1	FME (F)	Brass	Ni Plate	1
2	RG178	FEP	Brown	1
3	IPEX MHFI	Brass	Gold	1
4	Heat Shrink Tube	PE	Black	1

### 3.2 Connectors

