

THE INFORMATION CONTAINED HEREIN IS CONSIDERED "PROPRIETARY" TO BEL FUSE INC. AND SHALL NOT BE COPIED, REPRODUCED OR DISCLOSED WITHOUT THE WRITTEN APPROVAL OF BEL FUSE INC.



| LED 2 & 4 POLARITY | | | LED 1 & 3 POLARITY | | |
|--------------------|--------|--------|--------------------|--------|--------|
| PIN 11 | PIN 12 | COLOR | PIN 13 | PIN 14 | COLOR |
| - | + | YELLOW | - | + | YELLOW |
| + | - | GREEN | + | - | GREEN |

ELECTRICAL CHARACTERISTICS @ 25°C

URNS RATIO

| | |
|-----|---------------|
| TP1 | 1CT : 1CT ±2% |
| TP2 | 1CT : 1CT ±2% |
| TP3 | 1CT : 1CT ±2% |
| TP4 | 1CT : 1CT ±2% |

QCL @ 100kHz/100mVRMS

8mA DC BIAS 350µH MIN.

INS. LOSS

| | |
|------------------|-------------|
| 0.1MHz TO 1MHz | -1.1 dB MAX |
| 1MHz TO 65MHz | -0.5 dB MAX |
| 65MHz TO 100MHz | -0.8 dB MAX |
| 100MHz TO 125MHz | -1.2 dB MAX |

RET. LOSS (MIN)

| | |
|--------------|-----------------------|
| 0.5MHz-40MHz | -18 dB |
| 40MHz-100MHz | -12+20LOG(f/80MHz) dB |

CM TO CM REJ

100kHz - 100MHz -30 dB MIN

CM TO DM REJ

100kHz - 100MHz -35 dB MIN

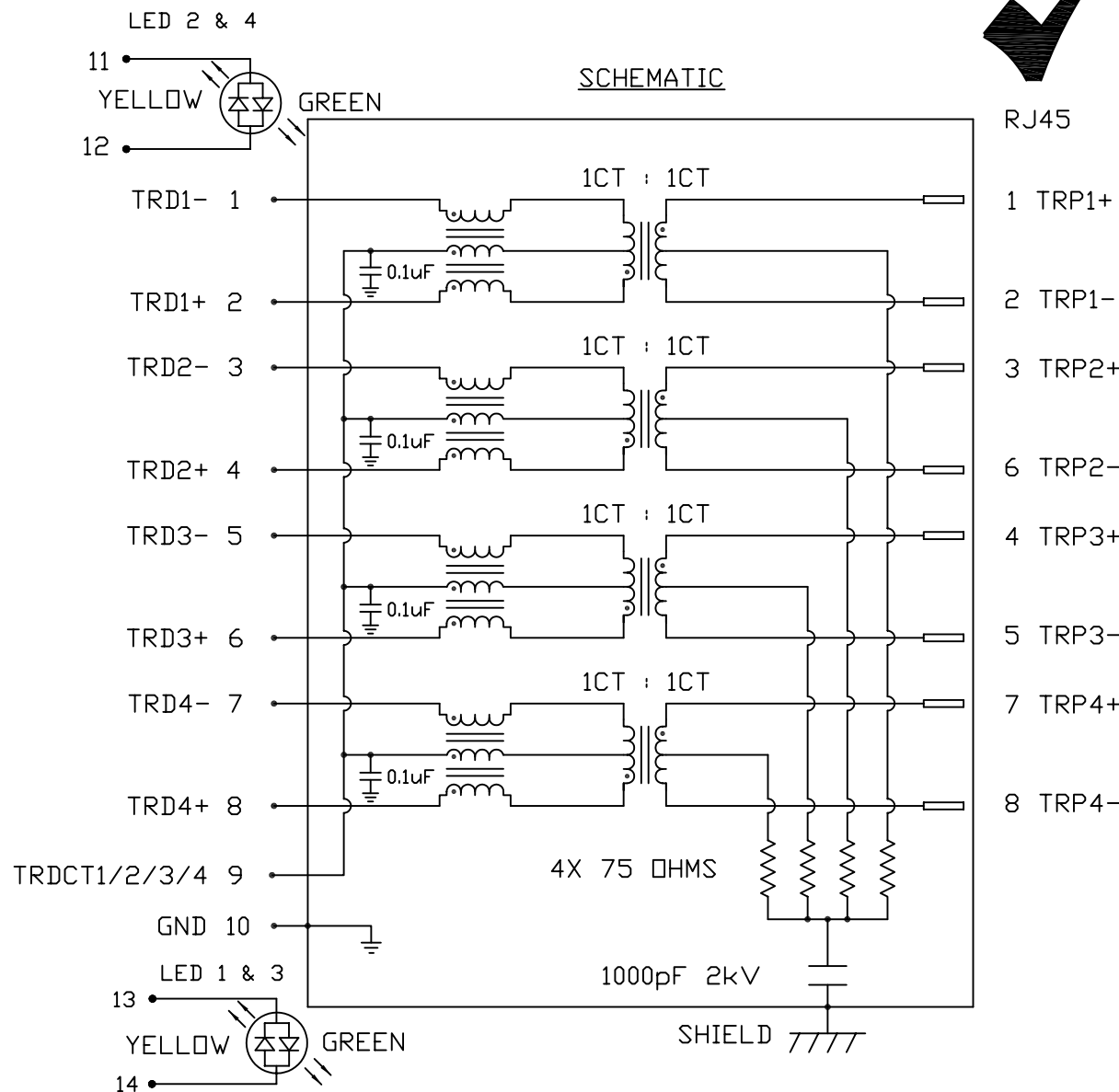
HIPOT (Isolation Voltage):

1500 Vrms

100% OF PRODUCTION TESTED

LEDS 1, 2, 3 AND 4

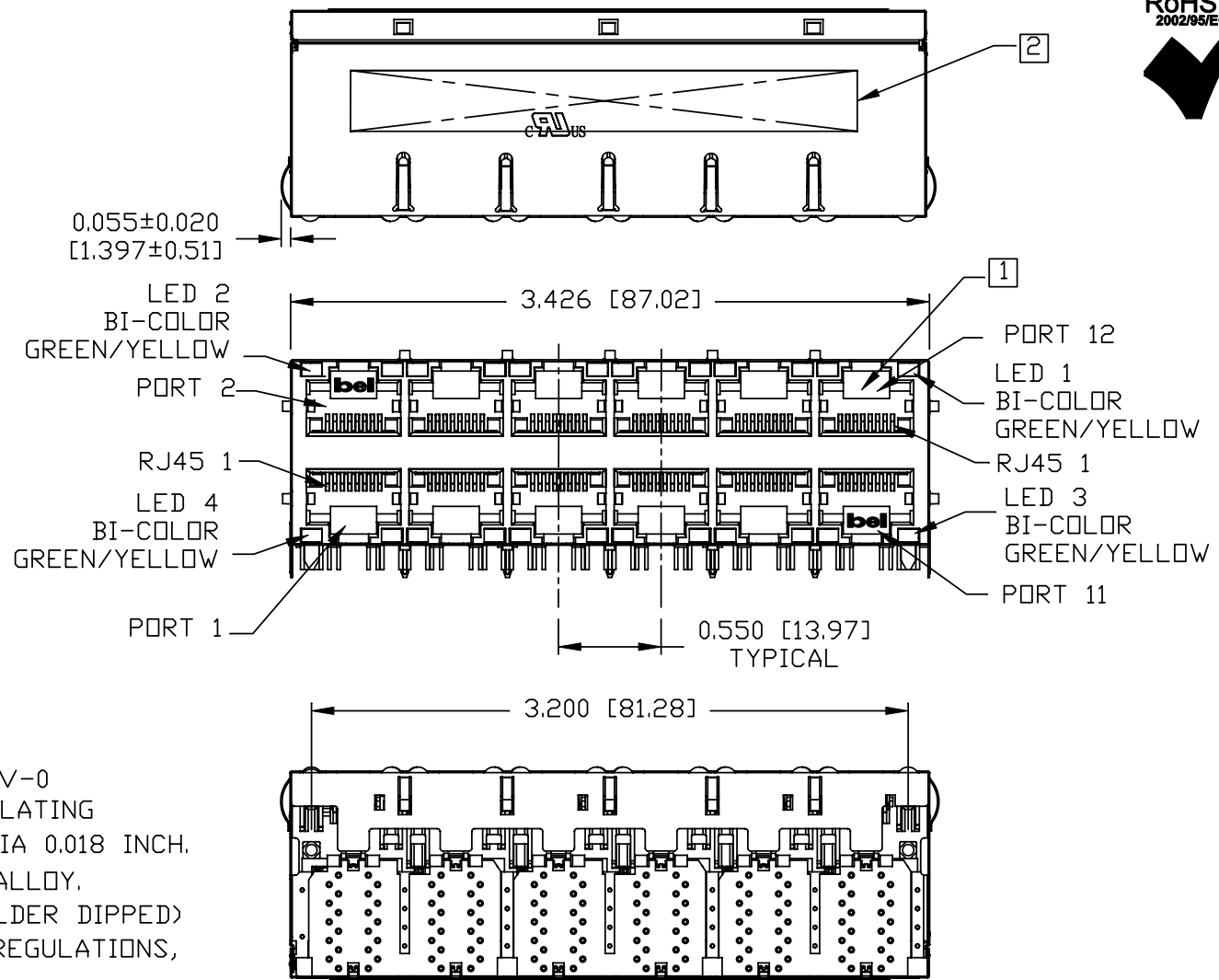
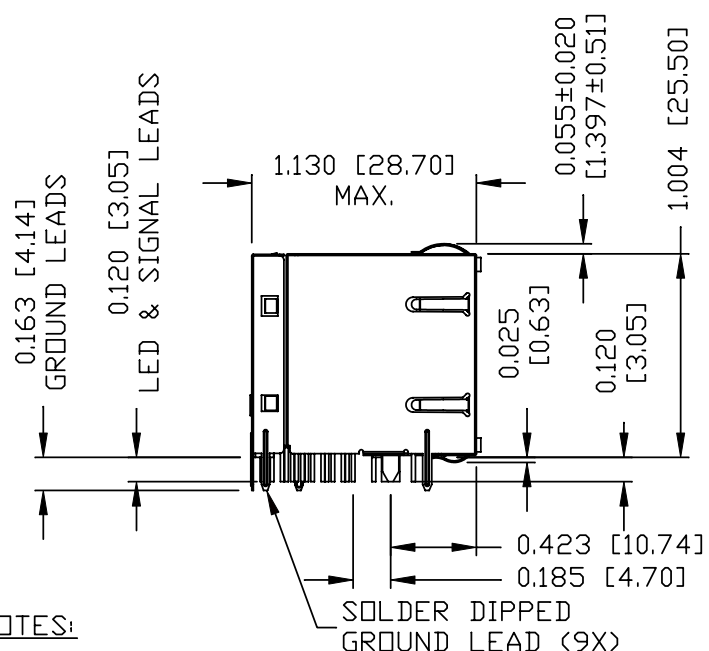
| | |
|--------------------------|---------------------------|
| VF (FORWARD VOLTAGE) | IF=20mA GREEN 2.2V TYP. |
| | IF=20mA YELLOW 2.1V TYP. |
| λD (DOMINANT WAVELENGTH) | IF=20mA GREEN 565nm TYP. |
| | IF=20mA YELLOW 590nm TYP. |



| ORIGINATED BY | DATE | TITLE | PART NO. / DRAWING NO. | STANDARD DIM. TOL. IN INCH | [] METRIC DIM. AS REFERENCE |
|---------------|----------|---|------------------------|----------------------------|--|
| CHOW WANCHUNG | 09-02-09 | 2X6 gigabit MagJack® WITH UPPER AND LOWER LED (8 Cores) PATENTED | 0879-2C6R-54 | .X .XX .XXX | UNIT : INCH [mm] REV. : C SCALE : N/A SIZE : A4 PAGE : 2 |
| DRAWN BY | DATE | | FILE NAME | | |
| LEE WEIDE | 09-02-09 | | 0879-2C6R-54_C.DWG | | |



THE INFORMATION CONTAINED HEREIN IS CONSIDERED "PROPRIETARY" TO BEL FUSE INC. AND SHALL NOT BE COPIED, REPRODUCED OR DISCLOSED WITHOUT THE WRITTEN APPROVAL OF BEL FUSE INC.



NOTES:

- PLASTIC HOUSING: THERMOPLASTIC PBT
FLAMMABILITY RATING UL 94V-0
- CONTACT PLATING: 50 MICRO-INCH HARD GOLD PLATING
- OUTPUT PINS: TIN-COATED COPPER WIRE, DIA 0.018 INCH.
- METAL SHIELD: NICKEL PLATED ON COPPER ALLOY.
(ALL GROUND LEADS ARE SOLDER DIPPED)

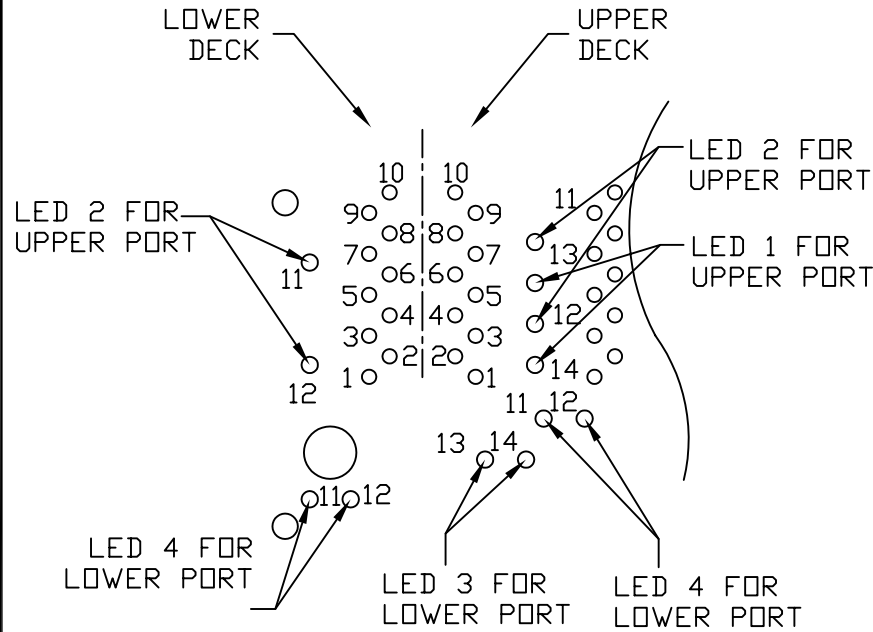
1. JACK CAVITY CONFORMS TO FCC RULES AND REGULATIONS, PBRT 68 SUBPRT F.
2. MARK PBRT WITH MFG LOGO, MFG NAME, PBRT NUMBER, DATE CODE AND PATENTED.
3. RoHS COMPLIANCE, PER EU DIRECTIVE 2002/95/EC.
4. THE PRODUCT IS PATENTED, THE PATENT NUMBER IS U.S. PAT. 5,736,910.

c us UL RECOGNIZED - FILE #E196366 AND E169987.

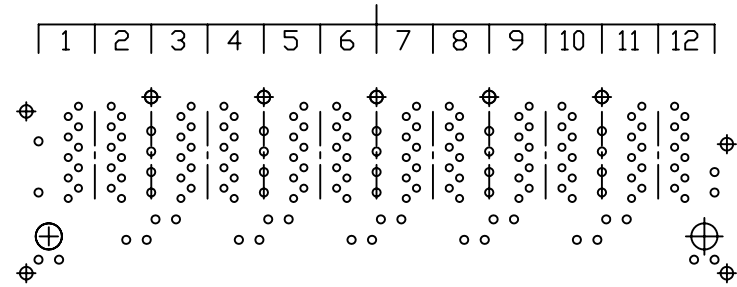
| | | | | | | | | | |
|----------------------------|------------------|--|--|--|-------------------------------|--------|------------------------------|-----------|--|
| ORIGINATED BY CHEN BILL | DATE 09-02-09 | TITLE 2X6 gigabit MagJack® WITH UPPER AND LOWER LED (8 Cores) PATENTED | PART NO. / DRAWING NO. 0879-2C6R-54 | | STANDARD DIM. TOL. IN INCH | | [] METRIC DIM. AS REFERENCE | | |
| | | | FILE NAME 0879-2C6R-54_C.DWG | | .X | | UNIT : INCH [mm] | REV. : C | |
| DRAWN BY LIU QIN | DATE 09-02-09 | | | | .XX | | SCALE : N/A | SIZE : A4 | |
| | | | | | .XXX | ±0.010 | | PAGE : 3 | |

THE INFORMATION CONTAINED HEREIN IS CONSIDERED "PROPRIETARY" TO BEL FUSE INC. AND SHALL NOT BE COPIED, REPRODUCED OR DISCLOSED WITHOUT THE WRITTEN APPROVAL OF BEL FUSE INC.

RoHS
2002/95/EC

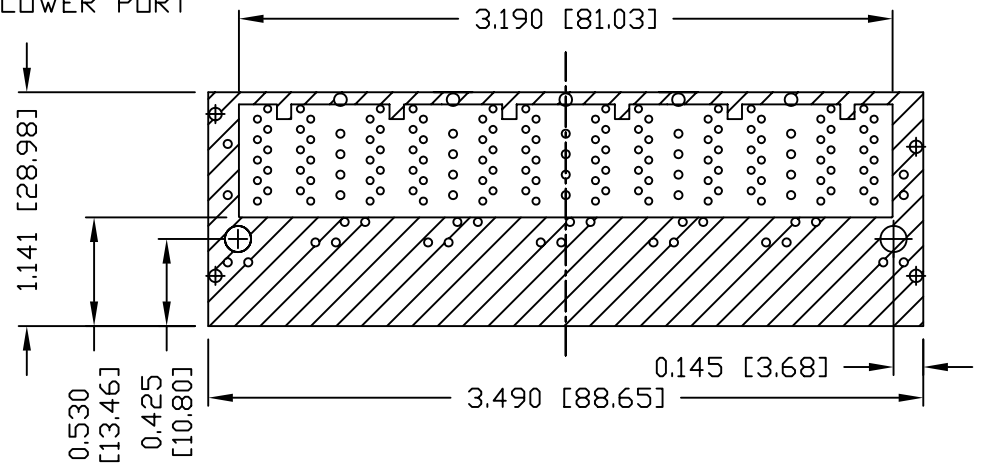


PORT ASSIGNMENT
(COMPONENT SIDE VIEW)



PIN-OUT INFORMATION
(COMPONENT SIDE VIEW)

| | |
|----|--------------|
| 10 | GND |
| 9 | TRDCT1/2/3/4 |
| 8 | TRD 4+ |
| 7 | TRD 4- |
| 6 | TRD 3+ |
| 5 | TRD 3- |
| 4 | TRD 2+ |
| 3 | TRD 2- |
| 2 | TRD 1+ |
| 1 | TRD 1- |

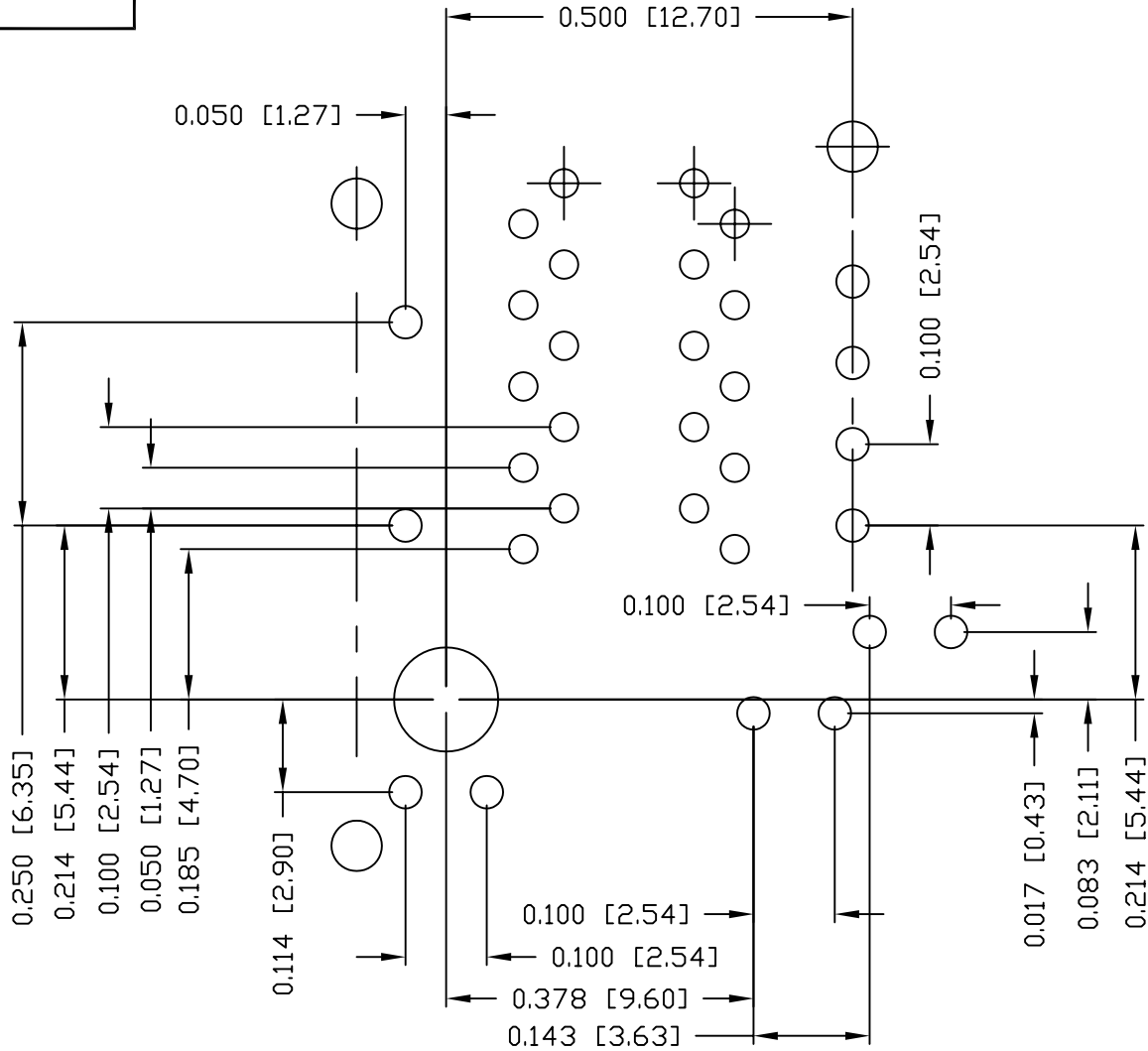


THE SHADED AREA ON THE CUSTOMER BOARD ARE RECOMMENDED TO BE CLEAR OFF ANY VIA HOLE OR COMPONENT PBD.

| | | | | | | |
|----------------------------|------------------|--|--|-------------------------------|------------------------------|-----------|
| ORIGINATED BY CHEN BILL | DATE 09-02-09 | TITLE 2X6 gigabit MagJack® WITH UPPER AND LOWER LED (8 Cores) PATENTED | PART NO. / DRAWING NO. 0879-2C6R-54 | STANDARD DIM. TOL. IN INCH | [] METRIC DIM. AS REFERENCE | |
| | | | | | UNIT : INCH [mm] | REV. : C |
| DRAWN BY LIU QIN | DATE 09-02-09 | | FILE NAME 0879-2C6R-54_C.DWG | .X | SCALE : N/A | SIZE : A4 |
| | | | | .XX | | PAGE : 4 |
| | | | | .XXX | ±0.004 | |



THE INFORMATION CONTAINED HEREIN IS CONSIDERED "PROPRIETARY" TO BEL FUSE INC. AND SHALL NOT BE COPIED, REPRODUCED OR DISCLOSED WITHOUT THE WRITTEN APPROVAL OF BEL FUSE INC.



DETAILS A

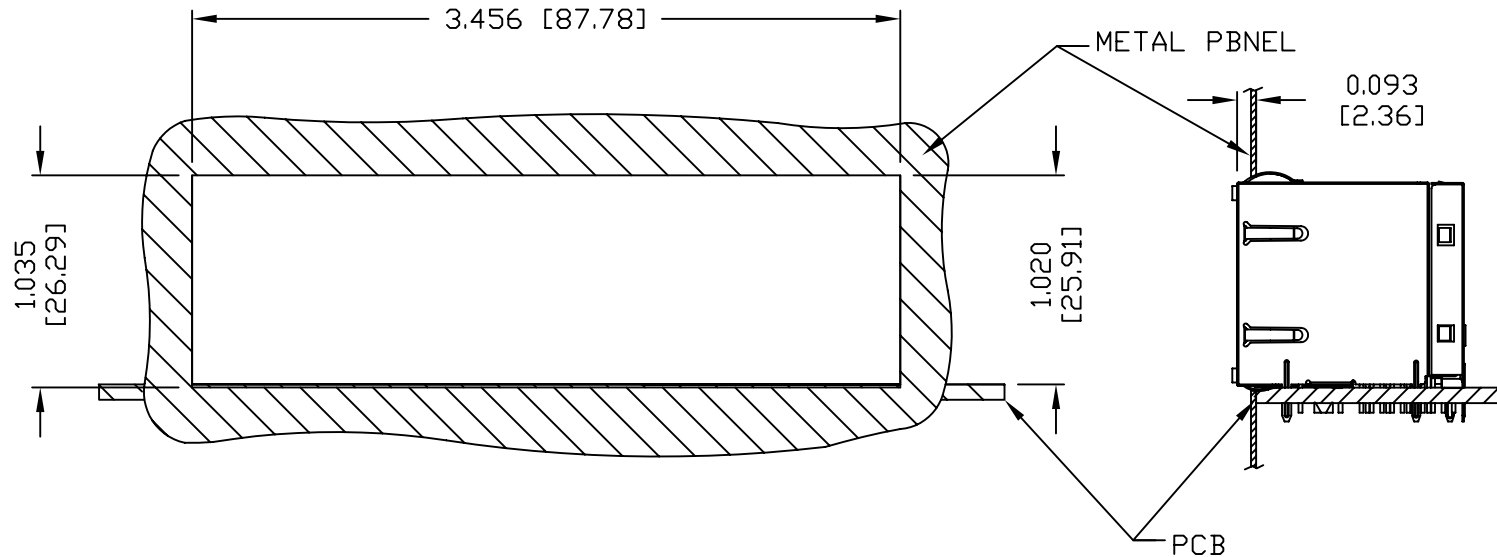
| | | | | | | | | |
|----------------------------|------------------|--|--|--|-------------------------------|--------|------------------------------|-----------|
| ORIGINATED BY CHEN BILL | DATE 09-02-09 | TITLE 2X6 gigabit MagJack® WIHT UPPER AND LOWER LED (8 Cores) | PART NO. / DRAWING NO. 0879-2C6R-54 | | STANDARD DIM. TOL. IN INCH | | [] METRIC DIM. AS REFERENCE | |
| | | | FILE NAME 0879-2C6R-54_C.DWG | | .X .XX .XXX | ±0.004 | UNIT : INCH [mm] | REV. : C |
| DRAWN BY LIU QIN | DATE 09-02-09 | | | | | | SCALE : N/A | SIZE : A4 |
| | | | | | | | | PAGE : 6 |



THE INFORMATION CONTAINED HEREIN IS CONSIDERED "PROPRIETARY" TO BEL FUSE INC. AND SHALL NOT BE COPIED, REPRODUCED OR DISCLOSED WITHOUT THE WRITTEN APPROVAL OF BEL FUSE INC.



SUGGESTED PBNEL OPENING



NOTE:

THE DISTANCE OF PBNEL INSIDE SURFACE RELATIVE TO FRONT SURFACE OF PBRT IS ONLY A SUGGESTION. IN CASE THIS DISTANCE IS DIFFERENT, THE REQUIRED PBNEL OPENING DIMENSIONS CHANGE ACCORDINGLY.

PBCKING INFORMATION

PBCKING TRAY : 0200-9999-P3 (TOP)
0200-9999-P4 (BOTTOM)

PBCKING QUANTITY : 14 PCS FINISHED GOODS PER TRAY
7 TRAYS (98 PCS FINISHED GOODS) PER CARTON BOX

NOTE : CARDBOARDS ARE PLACED BETWEEN LAYERS OF PBCKING TRAY INSIDE CARTON BOX
(INCLUDE THE UPPERMOST AND LOWERMOST TRAY)

| | | | | | | | | |
|----------------------------|------------------|--|--|--|-------------------------------|--------|---------------------------------|-----------------------------------|
| ORIGINATED BY CHEN BILL | DATE 09-02-09 | TITLE 2X6 gigabit MagJack® WITH UPPER AND LOWER LED (8 Cores) PATENTED | PART NO. / DRAWING NO. 0879-2C6R-54 | | STANDARD DIM. TOL. IN INCH | | [] METRIC DIM. AS REFERENCE | |
| | | | FILE NAME 0879-2C6R-54_C.DWG | | .X .XX .XXX | ±0.004 | UNIT : INCH [mm] SCALE : N/A | REV. : C SIZE : A4 PAGE : 7 |

