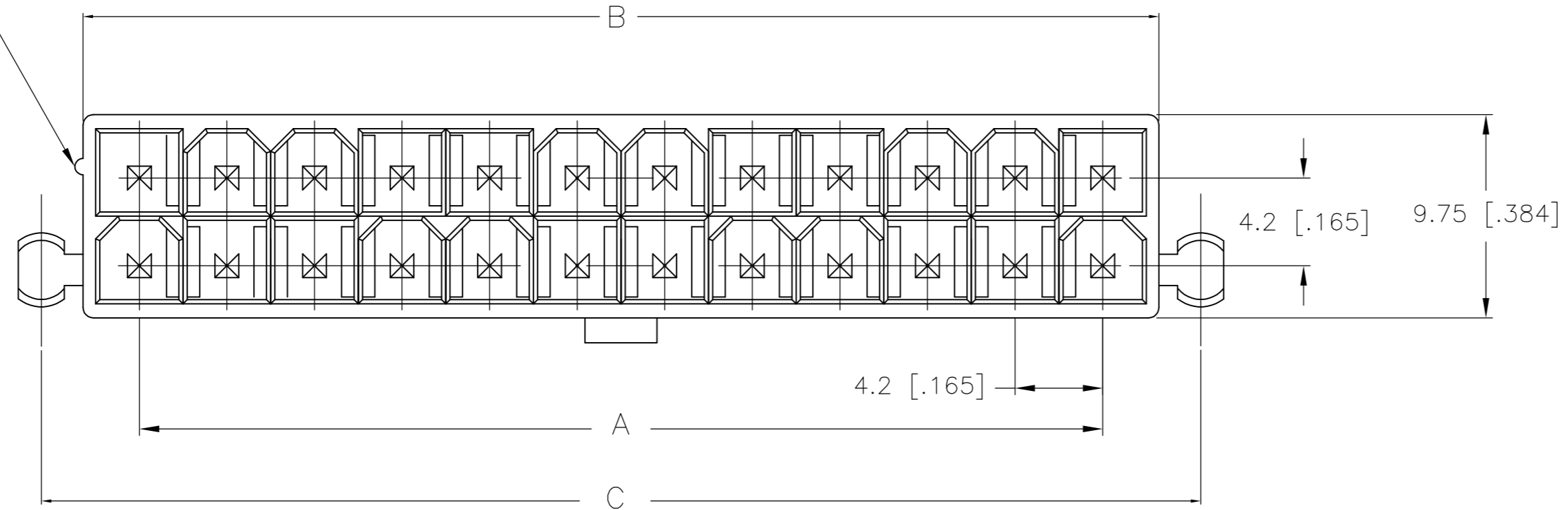


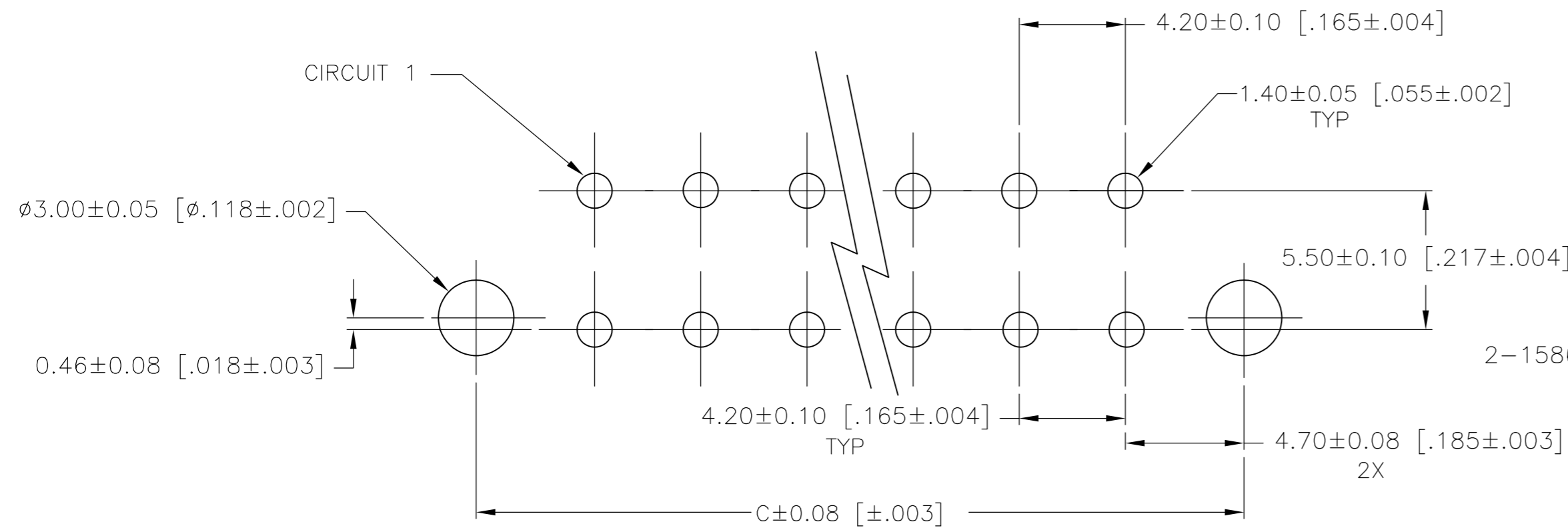
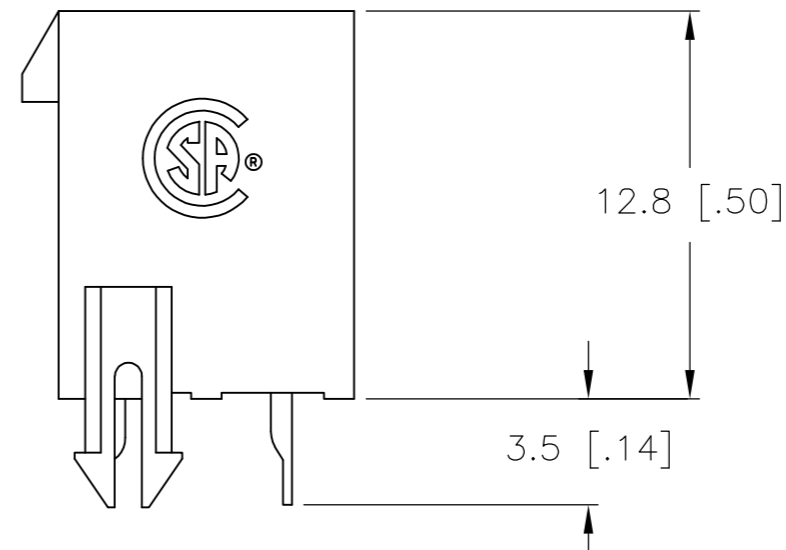
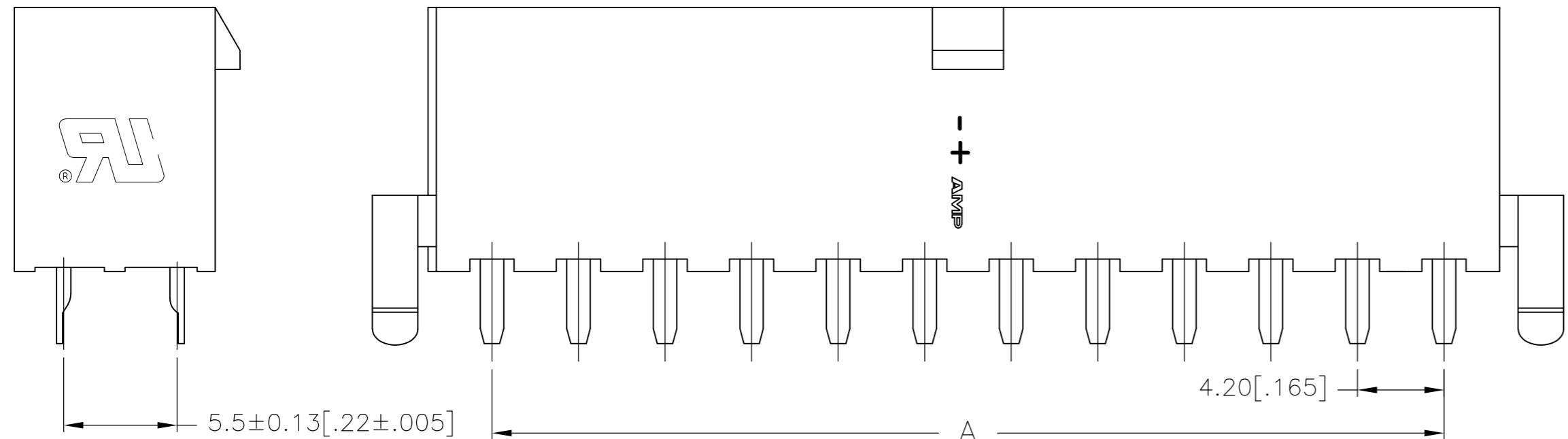
THIS DRAWING IS UNPUBLISHED. RELEASED FOR PUBLICATION
 © COPYRIGHT - By - ALL RIGHTS RESERVED.

LOC		DIST		REVISIONS			
P	LTR	DESCRIPTION		DATE	DWN	APVD	
CM	00	B4	REVISED PER ECR-12-020549		30NOV2012	KH	TM

POSITION 1
IDENTIFICATION
FEATURE



- 1 MATERIAL: HOUSING-NYLON, UL94V-0
(COLOR-NATURAL, COLOR OF PARTS MAY VARY)
CONTACTS-0.25 [.010] THICK BRASS ALLOY.
- 2 CONTACT FINISH: 0.002032 [.000080] MIN MATTE TIN
OVER 0.000381 [.000015] MIN NICKEL OVER ENTIRE
CONTACT.
- 3 MATES WITH VAL-U-LOK(TM) RECEPTACLE HOUSINGS.



PCB LAYOUT: COMPONENT SIDE
RECOMMENDED BOARD THICKNESS 1.78 [.070]

24	46.2±0.25 [1.82±.01]	51.6 [2.03]	55.6 [2.19]	2-1586040-4
22	42.0±0.25 [1.65±.01]	47.4 [1.87]	51.4 [2.02]	2-1586040-2
20	37.8±0.25 [1.49±.01]	43.2 [1.70]	47.2 [1.86]	2-1586040-0
18	33.6±0.25 [1.32±.01]	39.0 [1.54]	43.0 [1.69]	1-1586040-8
16	29.4±0.25 [1.16±.01]	34.8 [1.37]	38.8 [1.53]	1-1586040-6
14	25.2±0.25 [.99±.01]	30.6 [1.21]	34.6 [1.36]	1-1586040-4
12	21.0±0.25 [.83±.01]	26.4 [1.04]	30.4 [1.20]	1-1586040-2
10	16.8±0.13 [.66±.005]	22.2 [.87]	26.2 [1.03]	1-1586040-0
8	12.6±0.13 [.50±.005]	18.0 [.71]	22.0 [.87]	1586040-8
6	8.4±0.13 [.33±.005]	13.8 [.54]	17.8 [.70]	1586040-6
4	4.2±0.13 [.17±.005]	9.6 [.38]	13.6 [.54]	1586040-4
2		5.4 [.21]	9.4 [.37]	1586040-2
POS	A	B±0.25 [.01]	C±0.38 [.015]	PART NUMBER

THIS DRAWING IS A CONTROLLED DOCUMENT.

DIMENSIONS: mm [INCHES]	TOLERANCES UNLESS OTHERWISE SPECIFIED:	DWN S. HOOVER 25-SEP-2002	
0 PLC ±	1 PLC ± 0.5 [.02]	CHK D. COLEY 25-SEP-2002	
	2 PLC ± 0.25 [.010]	APVD D. COLEY 25-SEP-2002	NAME
	3 PLC ± -	PRODUCT SPEC	VERTICAL HEADER WITH PEGS, WITH DRAIN HOLES VAL-U-LOK(TM)
	4 PLC ± -	APPLICATION SPEC	SIZE CAGE CODE DRAWING NO RESTRICTED TO
	ANGLES ±	WEIGHT	A2 00779 C=1586040 -
MATERIAL	FINISH	CUSTOMER DRAWING	SCALE 10:1 SHEET 1 OF 1 REV B4