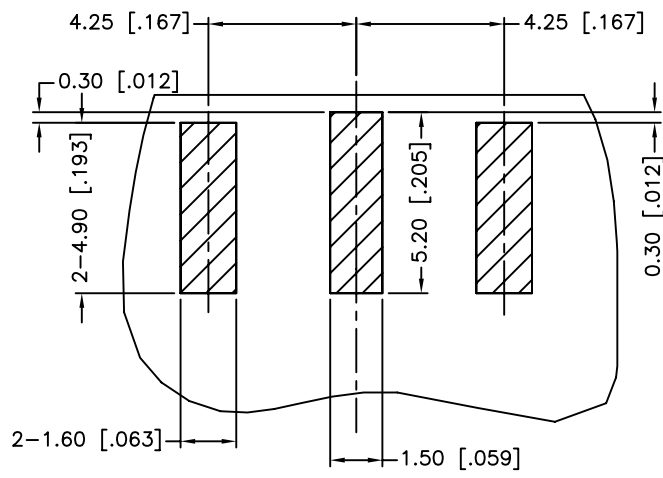
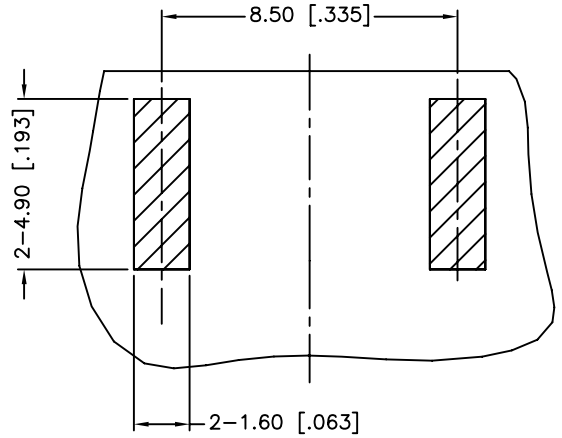


REV.	DATE	ECR NO.	DESCRIPTION
NC	10/26/10	XXXXXX	INITIAL RELEASE

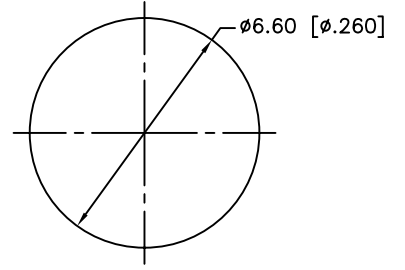


TOP VIEW

RECOMMENDED PCB LAYOUT

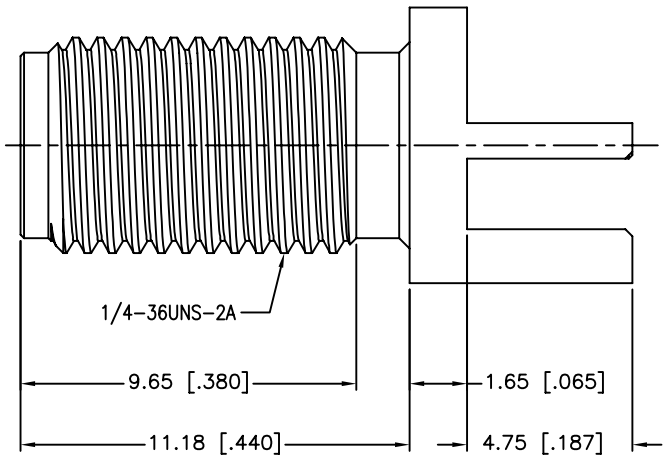
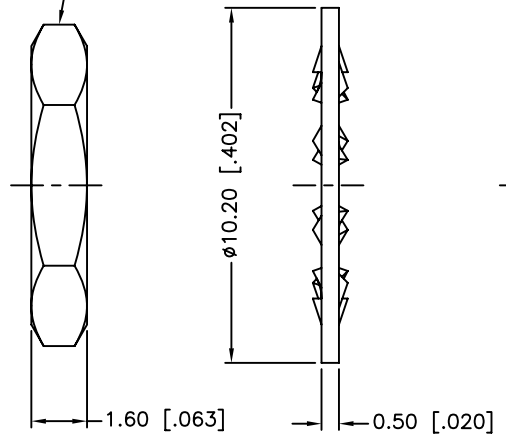


BOTTOM VIEW

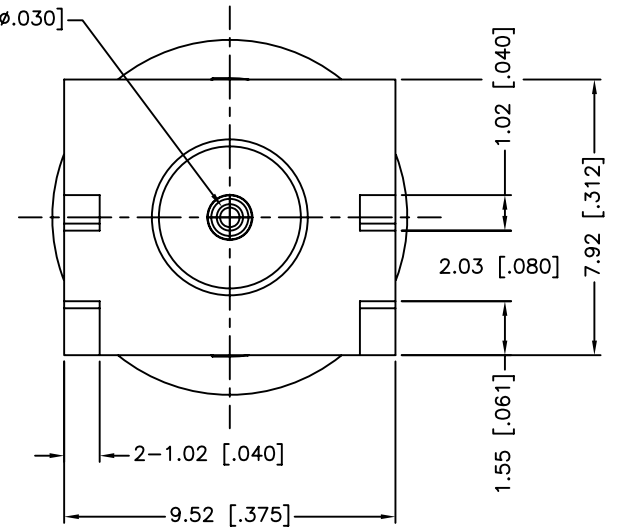


RECOMMENDED MOUNTING HOLE

8 HEX.



ø0.76 [ø.030]



1. MAX. PANEL THICKNESS=3.18mm

UNLESS OTHERWISE SPECIFIED DIMENSIONS ARE IN MILLIMETERS. DIMENSIONS IN [] ARE IN INCHES AND FOR CUSTOMER REFERENCE ONLY.

UNLESS OTHERWISE SPECIFIED TOLERANCES FOR MILLIMETERS ARE:
0.5 - 8mm ± 0.20mm
8 - 30mm ± 0.40mm
30 - 120mm ± 0.50mm

UNLESS OTHERWISE SPECIFIED TOLERANCES FOR INCHES ARE:
.020 - .315 ± 0.007"
.315 - 1.180 ± 0.015"
1.180 - 4.724 ± 0.020"

DO NOT SCALE DRAWING

APPROVALS		DATE
DRAWN	M.ZHANG	10/26/10
CHECKED		
ISSUED		
SHEET	1 OF 1	
CAD FILE	C:/CONNEX/132416.DWG	

Amphenol Connex

PART DESCRIPTION			
SMA END LAUNCH RECEPT. JACK (.074" BOARD THICKNESS)			
PART NO.		132416	
DWG. NO.	132416.DWG	REV.	NC
SIZE	A	SCALE	NA

DESCRIPTION	MATERIAL	FINISH	QTY
5 HEX. NUT	BRASS	GOLD	
4 LOCK WASHER	BRASS	GOLD	
3 CONTACT PIN	BER. COPPER	GOLD	1
2 INSULATOR	PTFE	NATURAL	1
1 BODY	BRASS	GOLD	1