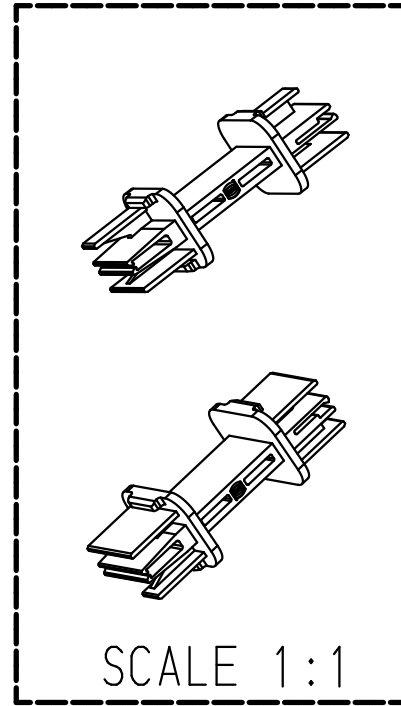
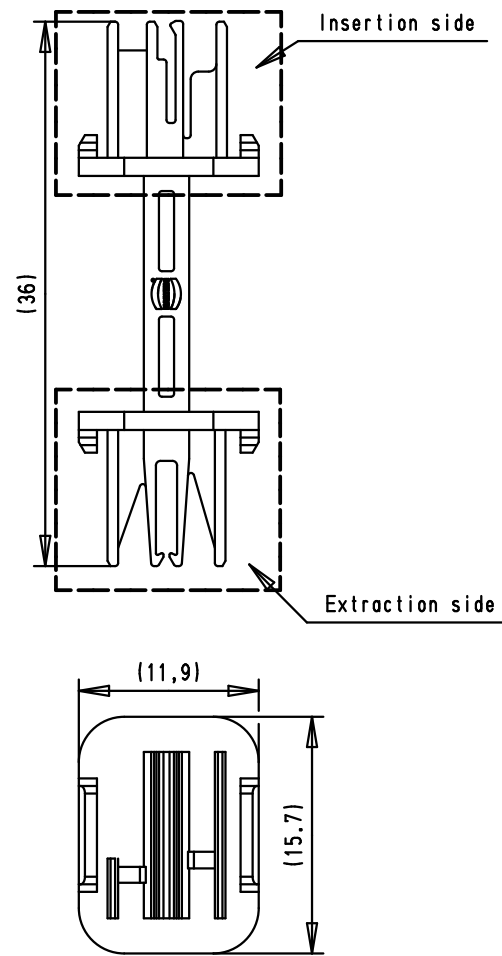


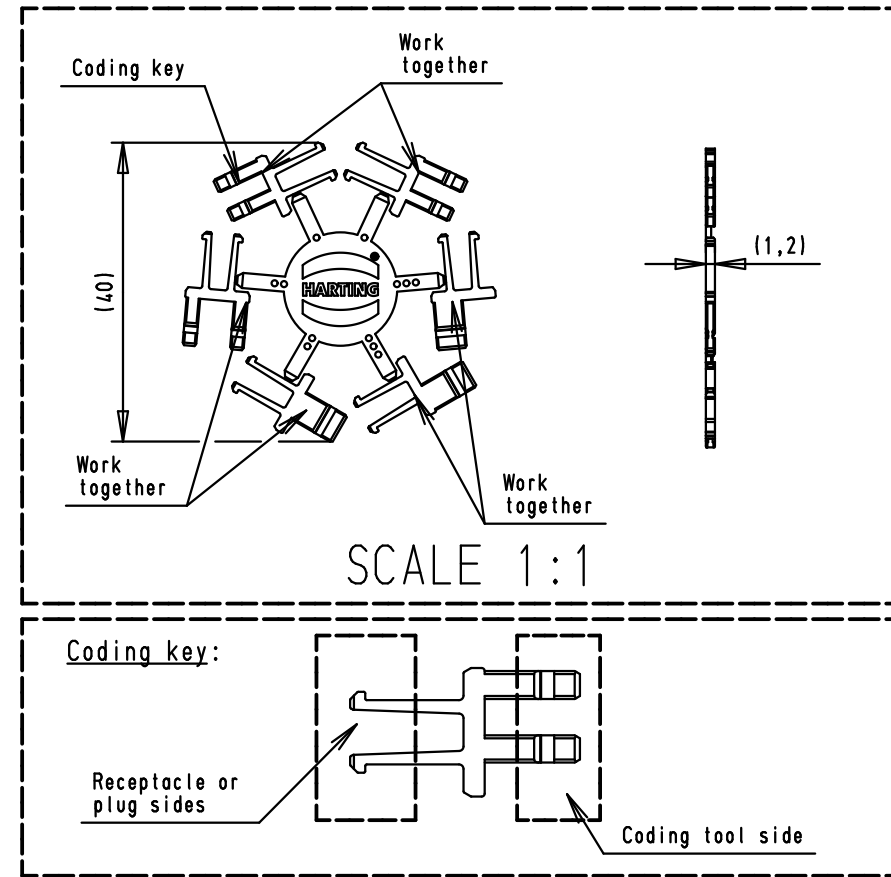
# CODING KEY TOOL

Quantity: 1



# COING KEY STARS

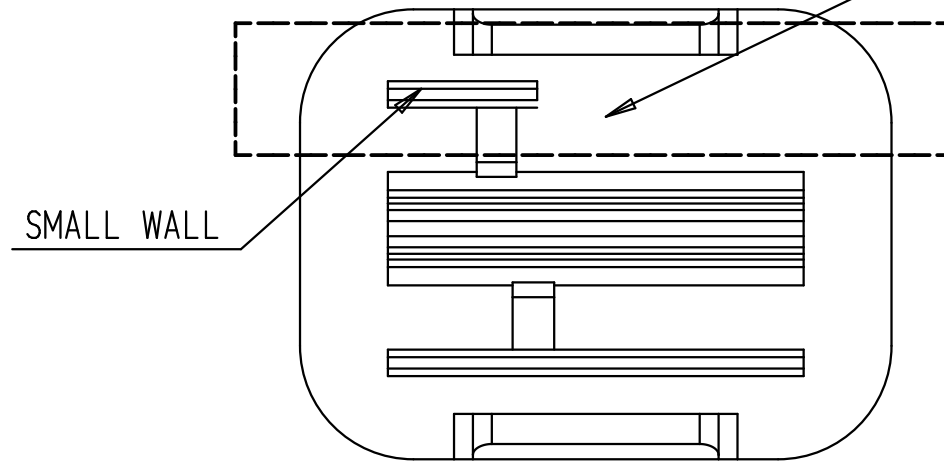
Quantity: 10



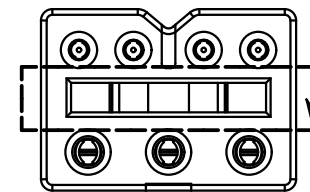
Alle Rechte vorbehalten/ All rights reserved

## KEYING ON CODING KEY TOOL

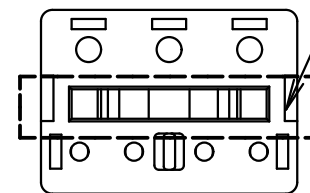
Keying area: V shape of receptacle or plug shell MUST be on this coding key tool side



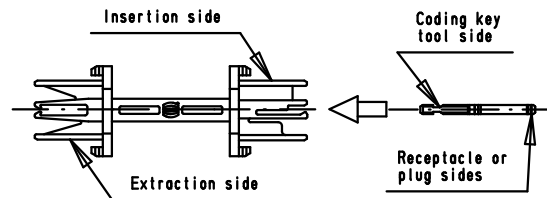
RECEPTACLE



PLUG

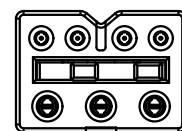


Areas for coding key

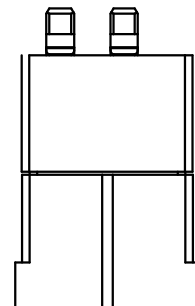
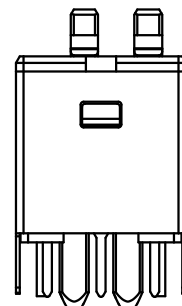
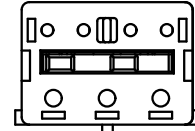


For coding key insertion: coding key is inserted in tool insertion side  
 For coding key extraction: coding key is inserted in tool extraction side  
 Coding key is locked inside counterpart after hearing CLICK sound

RECEPTACLE



PLUG (here without shell and hood)



			Det.	Name	<p>All Dim. in mm Orig. Size DIN A 3</p>	Coding key set for Harting hybrid push pull connector	Maßstab/ Scale	
			Detail.	23/07/09			AB	2:1
			Insp.					
			Stand.					
EC00372	23/07/09	AB	HARTING EURL F-95972 Paris				TB 09 45 845 1300	
Mod.	Det.	Name					Sub.	Blatt/ Page 1 / 1