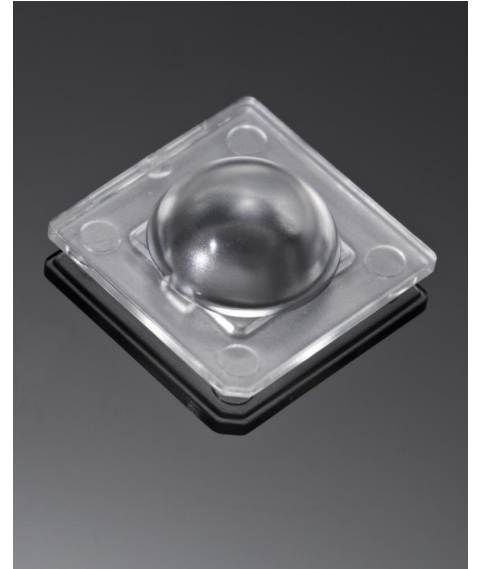


DETAILS

Product Number	C12491_SIRI-DIFF
Family	Siri
Type	Lens
Color	clear
Diameter	13,9 + 13,9 mm
Height	4,9 mm
Style	square
Optic Material	PMMA
Holder Material	
Fastening	pin, glue
Status	production ready
ROHS Compliant	Yes
Date Updated	29/09/2014

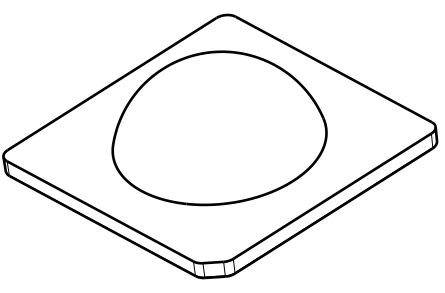


OPTICAL PROPERTIES

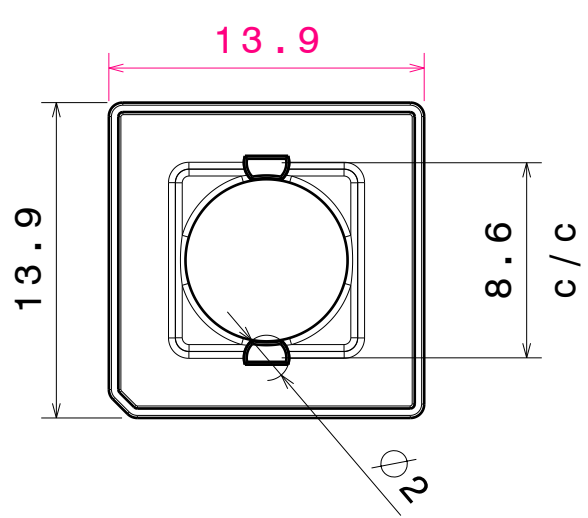
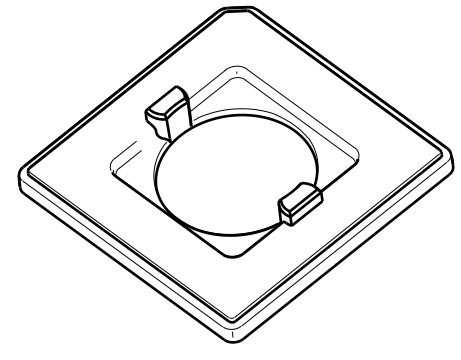
LED	Viewing Angle	Light Beam	Efficiency	cd/lm	Connector
XM-L	sim: 120	WWW-class	90 %	-	-
XM-L2	147 deg	WWW-class	96 %	0.200	-

D C B A

4



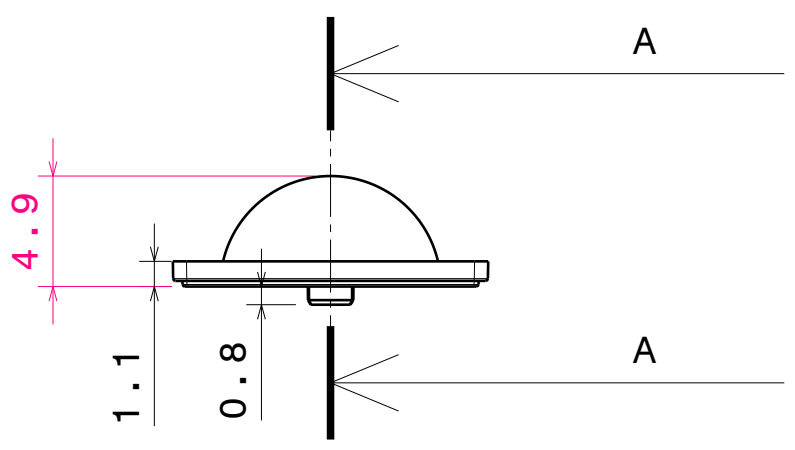
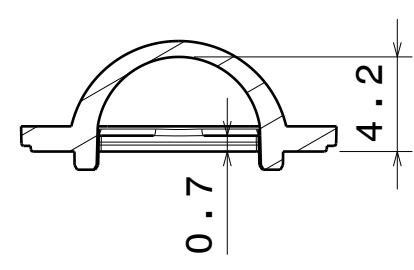
3



4

3

2



2

MATERIALS
Lens: PMMA

This drawing is our property.
It can't be reproduced
or communicated without
our written agreement.



Ledil Oy
Salorankatu 10
FIN-24100 SALO
Finland

DRAWING TITLE

Datasheet Siri-Dome & Siri-Diff

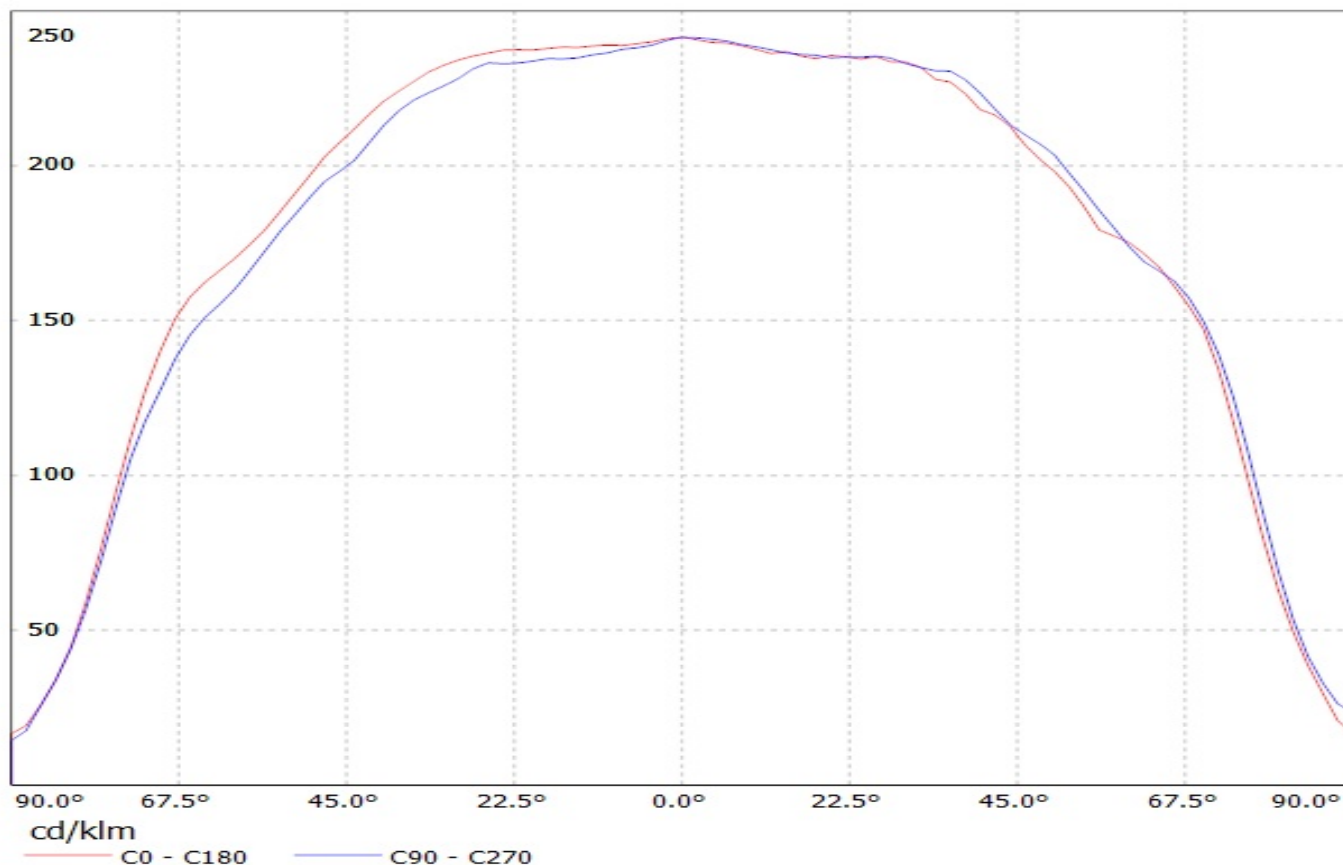
DRAWN BY ah	DATE 3.1.2012	DRAWING NUMBER			REV 2
	CHECKED BY sn	DATE 3.1.2012	SIZE A4		
	DESIGNED BY pv	DATE 23.11.2011	SCALE 3:1	WEIGHT (g)	SHEET 1/1

1

1

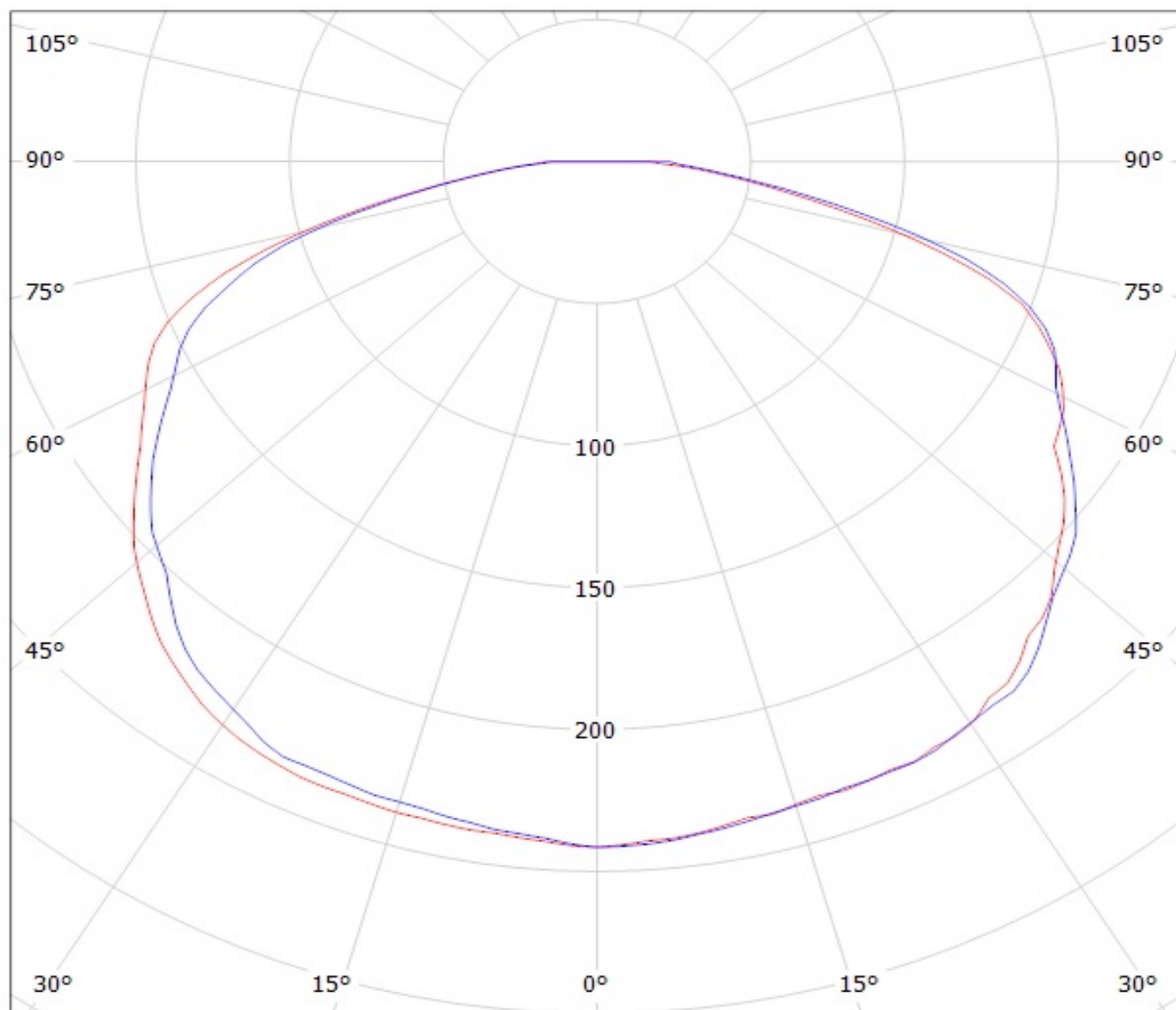
D A

Luminaire: LEDil Oy C12491_SIRI-DIFF_(XM-L2) Efficiency=96%
Lamps: 1 x Cree XM-L2 (XMLBWT-7B4-T30-0L-0001) 91lm @ 250mA CCT=3200K P=0.7W I=250mA



Luminaire: LEDil Oy C12491_SIRI-DIFF_(XM-L2) Efficiency=96%

Lamps: 1 x Cree XM-L2 (XMLBWT-7B4-T30-0L-0001) 91lm @ 250mA CCT=3200K P=0.7W I=250mA



cd/klm

— C0 - C180

— C90 - C270

NOTE: The typical divergence will be changed by different color, chip size and chip position tolerance. The typical total divergence is the full angle measured where the luminous intensity is half of the peak value.