



PRODUCT DATASHEET

Leila series

last update 23/5/2012

DETAILS

Product Number	FA11447_LM1-M2
Family	Leila
Type	Assembly
Color	black
Diameter	21,6 mm
Height	14,04 mm
Style	round
Optic Material	
Holder Material	
Fastening	tape
Status	production ready
ROHS Compliant	Yes
Date Updated	23/05/2012



OPTICAL PROPERTIES

LED	Viewing Angle	Light Beam	Efficiency	cd/lm	Connector
MC-E	sim: 28	M2-class	-	-	-

D

C

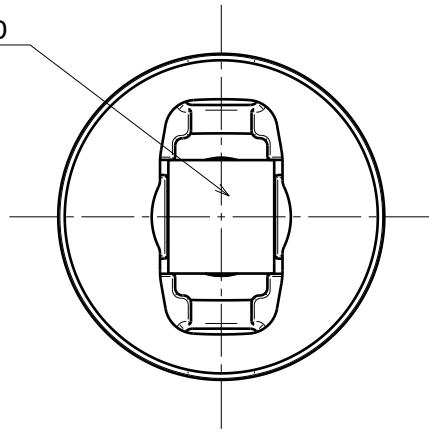
B

A

4

4

LED

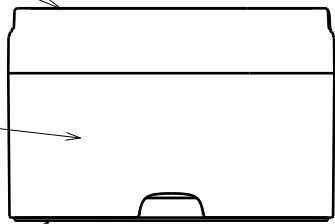


Bottom view

Lens

Holder

Tape 0,2mm



Side view

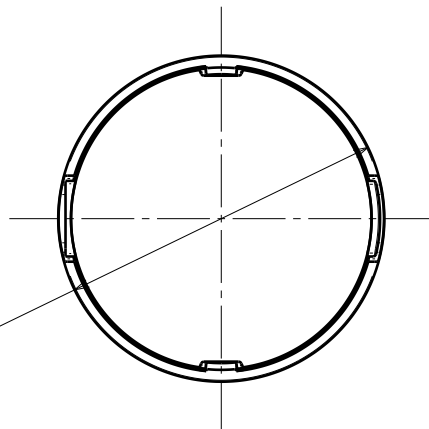
14.04

3

3

2

2



Top view

Ø 21.6

MATERIALS

Lens: PMMA

Holder: PC

This drawing is our property.
It can't be reproduced
or communicated without
our written agreement.



L
T
F
F

e
e
i
i
N
n

d
h

DRAWING TITLE

Datasheet LM1-series assy

DRAWN BY

DATE

p

04.11.2008

CHECKED BY

DATE

t

k

25.09.2008

DESIGNED BY

DATE

HH

24.07.2008

SIZE

A4

DRAWING NUMBER

REV

0.1

SCALE

2:1

WEIGHT (g)

-

SHEET

1/1

1

1

D

A

NOTE: The typical divergence will be changed by different color, chip size and chip position tolerance. The typical total divergence is the full angle measured where the luminous intensity is half of the peak value.