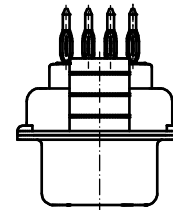
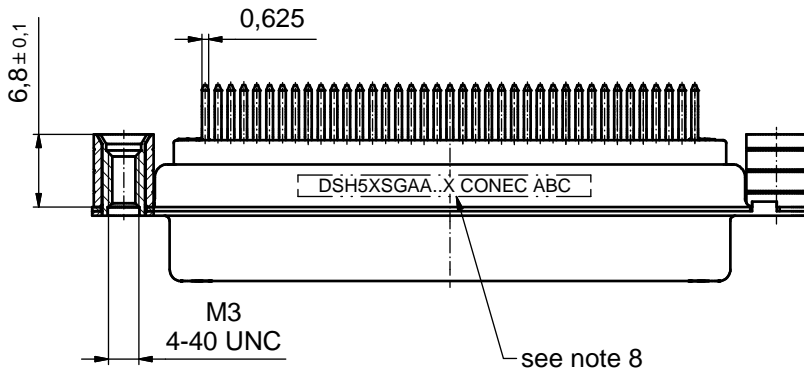
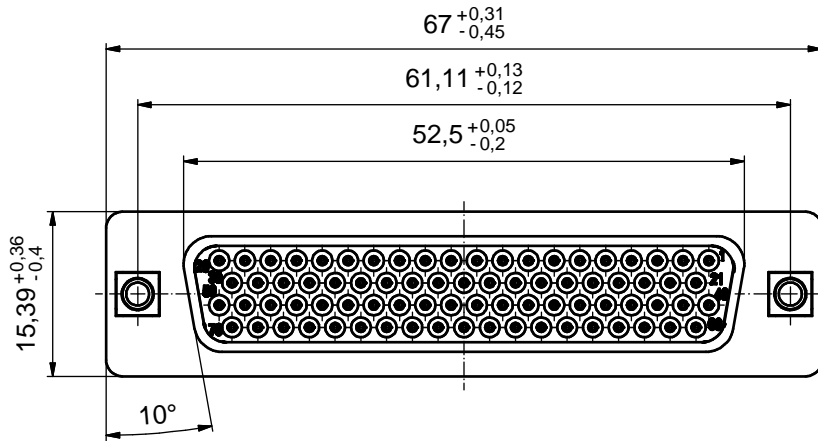
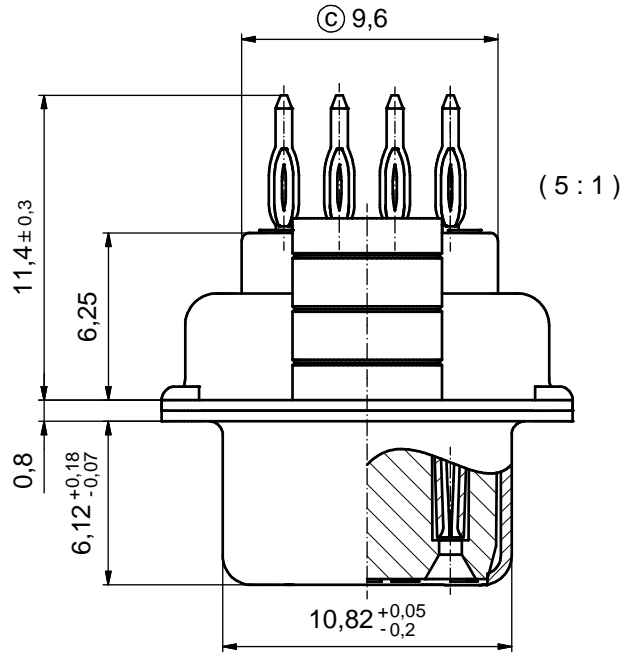


NOTES:

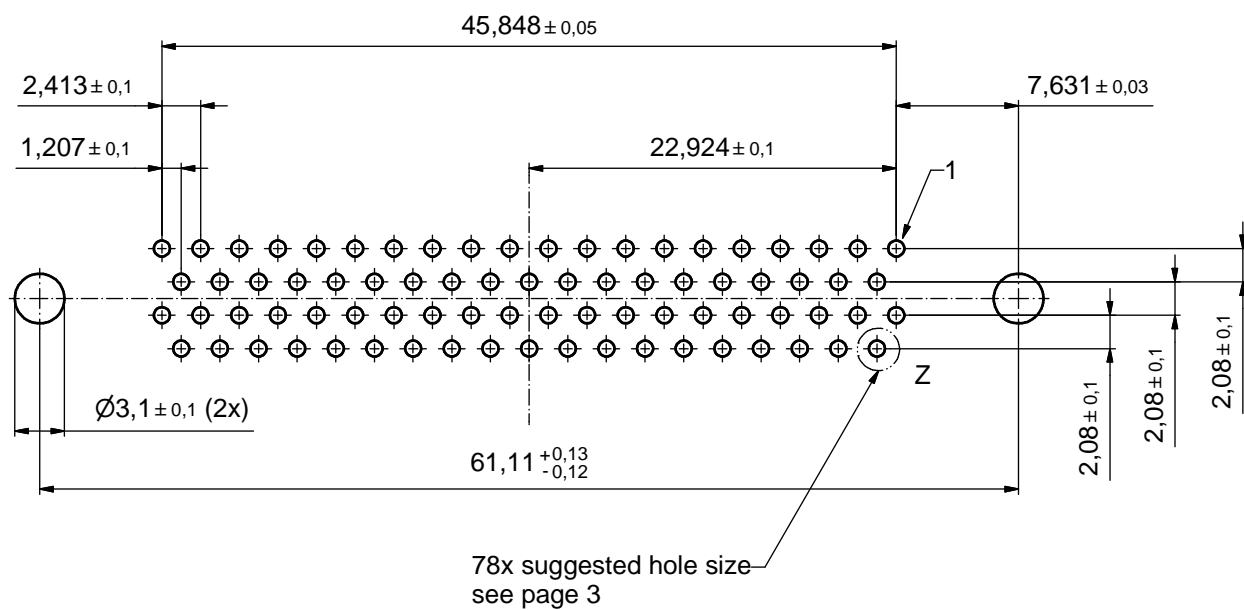
1. METALSHELLS: STEEL; min. 315µin TIN over 40-80µin NICKEL
2. INSULATORS: PBT GF UL 94 V-0, BLACK
3. PRESS-FIT CONTACTS 3A (UL, VDE) / 2,5A (CSA): COPPER ALLOY
 PLATING, MATING AREA: FLASH GOLD over NICKEL
 PLATING, TERMINATION AREA: 20-40µin TIN (SN 100)
 P.C.B. THICKNESS: min. 1,6mm
4. THREADED REAR SPACER: COPPER ALLOY; min. 200µin TIN over 80µin NICKEL
5. SLEEVE: COPPER ALLOY; min. 200µin TIN over 80µin NICKEL
6. P.C.B. HOLE DRILLINGS SEE SHEET 2
7. MAXIMUM TORQUE VALUE FOR THREAD: 6 in.LB
8. CONNECTOR IS PART MARKED: PART-NO. CONEC ABC



Art.-Nr.	
Part-No.	
M3	4-40 UNC
DSH5XSGAA47X	DSH5XSGAA48X

Directive 2002/95/EC RoHS compliant

THIS DRAWING MAY NOT BE COPIED OR REPRODUCED IN ANY WAY, AND MAY NOT BE PASSED ON TO A THIRD PARTY WITHOUT WRITTEN PERMISSION. OWNERSHIP AND COPYRIGHT OF CONEC GmbH DO NOT ALTER CAD DRAWING BY HAND	tolerance			dim. in mm	scale: 2:1 (5:1)	
					material: see notes	
				date	name	title: D-SUB HD FEMALE 78pos. PRESS-FIT STRAIGHT with threaded rear spacer
				drawn 02.07.07	Sonnenberg	
				appd. 02.07.07	Koch	
	1 x c	Ä4548	19.11.2012	Lehm.	d-old	dwg no:
1 x b	Ä4454	12.09.2012	K.H.		DIN-A3	
a	Original				sh: 1/3	
rev.	description	date	name			
						part no:

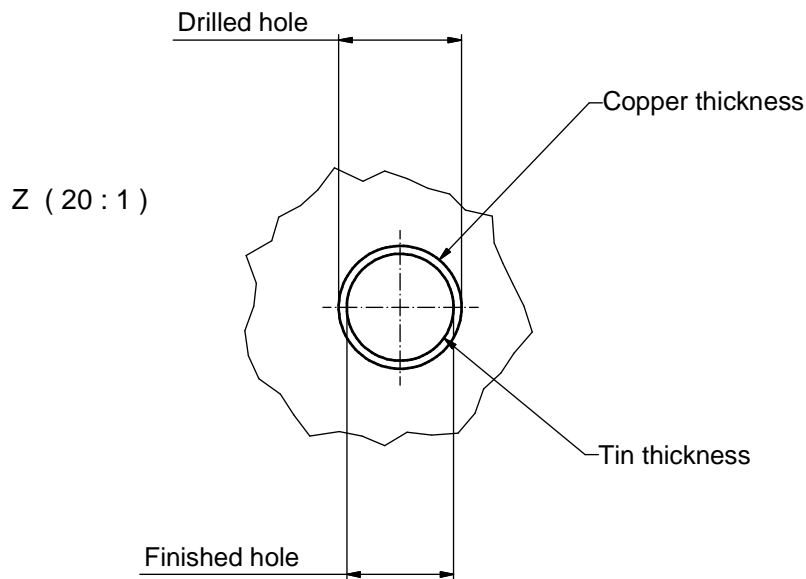


THIS DRAWING MAY NOT BE COPIED OR REPRODUCED IN ANY WAY, AND MAY NOT BE PASSED ON TO A THIRD PARTY WITHOUT WRITTEN PERMISSION. OWNERSHIP AND COPYRIGHT OF CONEC GmbH DO NOT ALTER CAD DRAWING BY HAND					tolerance		scale: 3:1
					dim. in mm		material: SEE SHEET 1
					date	name	title: P.C.B. HOLE DRILLINGS D-SUB HD 78pos. PRESS-FIT STRAIGHT with threaded rear spacer
					drawn	02.07.07 Sonnenberg	
					appd.	02.07.07 Koch	
				norm		dwg no:	
				d-old		DIN-A3	
				rev.	a	Original	sh: 2/3
				description			part no: SEE SHEET 1
				date			
				name			
				CONEC ®			

**SUGGESTED PCB HOLE SIZE DIMENSIONS FOR
D-SUB HD CONNECTORS
WITH PRESS FIT TERMINATIONS**

ACCORDING IEC 60352-5

THROUGH HOLE PLATING	NOMINAL DIAMETER	Signal Contact
		1,0 mm
TIN-LEAD	DRILLED HOLE	1,15 ±0,025 mm
	COPPER	min. 25µm
	TIN-LEAD	min. 15µm
	FINISHED HOLE	1,0 +0,09 -0,06mm
Galv./HAL TIN	DRILLED HOLE	1,15 ±0,025 mm
	COPPER	min. 25µm
	TIN	5-15µm
	FINISHED HOLE	1,0 +0,09 -0,06mm
CHEM. TIN	DRILLED HOLE	1,15 ±0,025 mm
	COPPER	min. 25µm
	CHEM. TIN	max. 1,5µm
	FINISHED HOLE	1,0 +0,09 -0,06mm



THIS DRAWING MAY NOT BE COPIED OR REPRODUCED IN ANY WAY, AND MAY NOT BE PASSED ON TO A THIRD PARTY WITHOUT WRITTEN PERMISSION. OWNERSHIP AND COPYRIGHT OF CONEC GmbH DO NOT ALTER CAD DRAWING BY HAND				tolerance		scale: 20:1
				date	name	material: SEE SHEET 1
				drawn	02.07.07	Sonnenberg
				appd.	02.07.07	Koch
				norm		
				d-old		
				rev.	a Original	
			description			
			date			
			name			
			CONEC [®]			title: P.C.B. HOLE DRILLINGS D-SUB HD 78pos. PRESS-FIT STRAIGHT with threaded rear spacer
						dwg no: 16K1A2030
						part no: SEE SHEET 1