



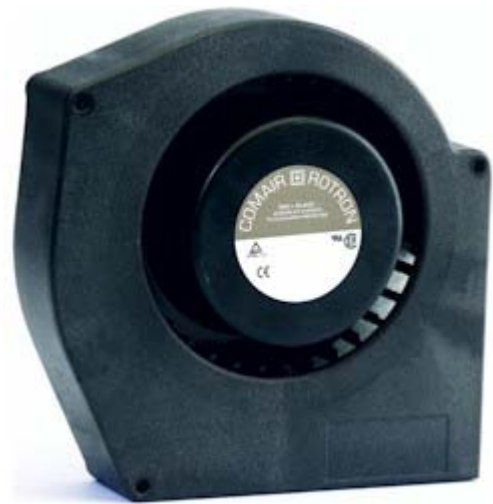
Spinnaker - SPD48B1 - 032196 - No
 (Family) (Model) (Part #) (In Stock)

Electrical Specifications

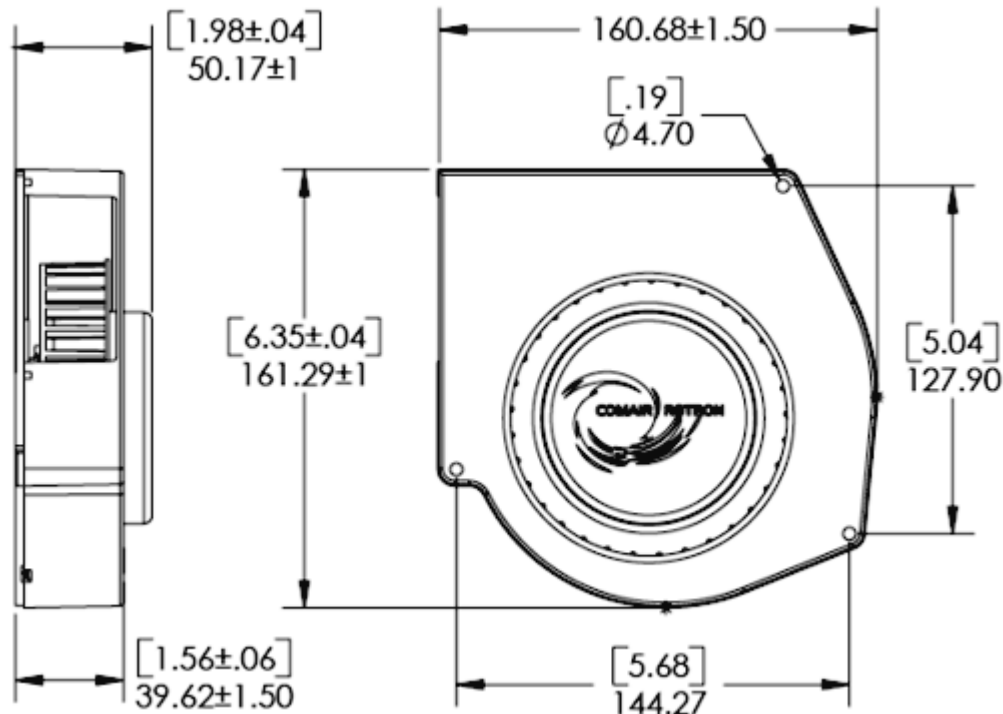
Operating Voltage:	48 Volts
Voltage Range:	24 - 56 Volts
Power Supply:	24.0 Watts
Line Current:	0.53 Amps
Locked Rotor Current	0.94 Amps
Nominal Speed:	2500 RPM

Mechanical Specifications

Dimensions:	6.4 x 6.4 x 1.6 in
Weight	33.6 oz
Max Airflow @ 0 in H ₂ O	60.0 CFM
Max Pressure @ 0 CFM	1.100 in H ₂ O
Noise	57.0 dBA



Mechanical Drawing



Comair Rotron, Inc.
 Phone: 619.651.2000
 sales@comairrotron.com

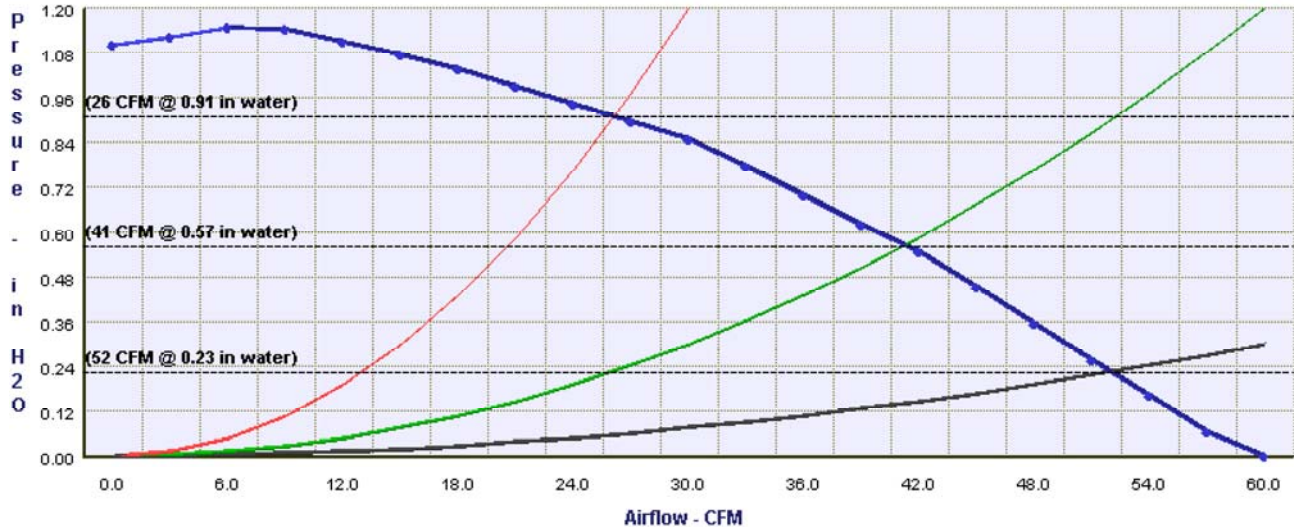
Comair Rotron Europe, Ltd.
 Phone: +44.1527.520525
 saleseurope@comairrotron.com

Comair Rotron Fan Company Ltd.
 Phone: +86.21.52260581
 salesasia@comairrotron.com

Print Date: Tuesday, August 31, 2010 at 12:27:20 - DC Blower Datasheet - Web Version 1.0 Rev. B



Blower Performance Curve



Blower Configuration Options

Spinnaker
(Family)

SPD48B1 / 032196
(Model) (Part #)

No
(In Stock)

305 mm [12 inch] Leads
(Features)

Blower Speed: 2500 RPM
Blower Airflow Direction: Flow L (CW Rotation)

Blower Bearings: Ball Bearings
Blower Termination: Leads

Blower Monitoring Options: No Blower Monitoring Options Selected

Blower Speed Control Option: No ThermaPro-V Blower Speed Control Options Selected

Environmental Protection Options: No Enviroshield Options Selected

Comair Rotron, Inc.
Phone: 619.651.2000
sales@comairrotron.com

Comair Rotron Europe, Ltd.
Phone: +44.1527.520525
saleseurope@comairrotron.com

Comair Rotron Fan Company Ltd.
Phone: +86.21.52260581
salesasia@comairrotron.com

Print Date: Tuesday, August 31, 2010 at 12:27:20 - DC Blower Datasheet - Web Version 1.0 Rev. B



Comair Rotron, Inc.
Phone: 619.651.2000
sales@comairrotron.com

Comair Rotron Europe, Ltd.
Phone: +44.1527.520525
saleseurope@comairrotron.com

Comair Rotron Fan Company Ltd.
Phone: +86.21.52260581
salesasia@comairrotron.com

Print Date: Tuesday, August 31, 2010 at 12:27:20 - DC Blower Datasheet - Web Version 1.0 Rev. B