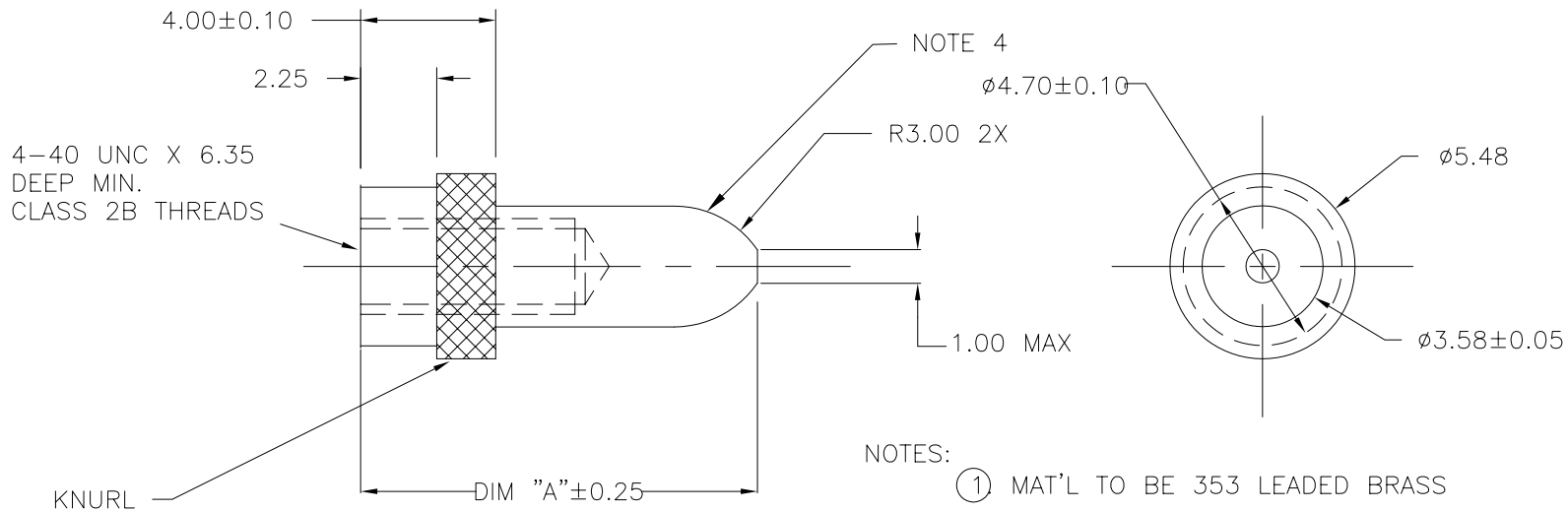


PART NUMBER	SPECIAL PACKAGING (5)	DIM "A"
63786-001	----	11.50
63786-002	63786-002SP	32.00
63786-004	----	14.50
63786-005	----	16.00
63786-006	63786-006SP	24.00
63786-007	----	28.90
63786-008	----	13.00



NOTES:

- ① MAT'L TO BE 353 LEADED BRASS
2. PLATING: 30u"/.80um Au OVER
50u"/1.30um Ni
3. UNSPECIFIED ANGLES 45°
- ④ R3mm IS TANGENT TO Ø3.60mm SURFACE.
- ⑤ SP = SPECIAL PACKAGING @ 10 PCS PER PACKAGE

mat'l. code		surface		tolerance		projection		product family		
NOTE 1		ISO 1302 ✓		ISO 406 ISO 1101		MM		METRAL (tm)		
ltr	ecr	no	dr	date	tolerances unless otherwise specified		title			
A	V94312	MDF		11/4/98	angles	.0±.3	POWER PIN, ROUND TIP			
B	V94406	HTB		12/1/99	linear	.00±.13	MODULE, 5 ROW			
C	V00746	LSS		3/7/00	0°±2'	.000±.0051	scale 5:1			
D	V12292	CGD	10/04/01	dr	C.DAILY	6/10/02	FCI		dwg no	
E	V21013	CGD	06/10/02	enr	M.GRAY	6/10/02	63786		sheet 1 of 1 size	
F	V05-0666	TAB	07/15/05	chr	M.GRAY	6/10/02	A3			
G	M06-0277	MHT	7/22/06	appd	M.GRAY	6/10/02	type		Product Customer Drawing	
sheet	revision									
index	sheet	1								