

CUSTOMER TERMINAL	RoHS	LEAD(Pb)-FREE
Sn96%, Ag4%	Yes	Yes

more than you expect

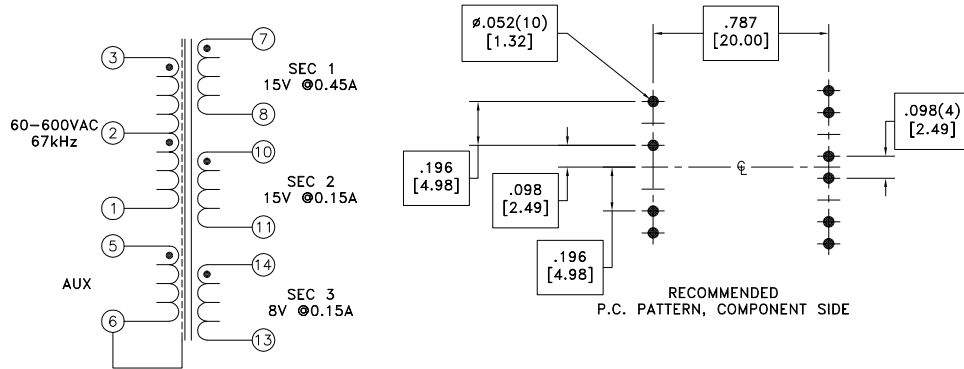
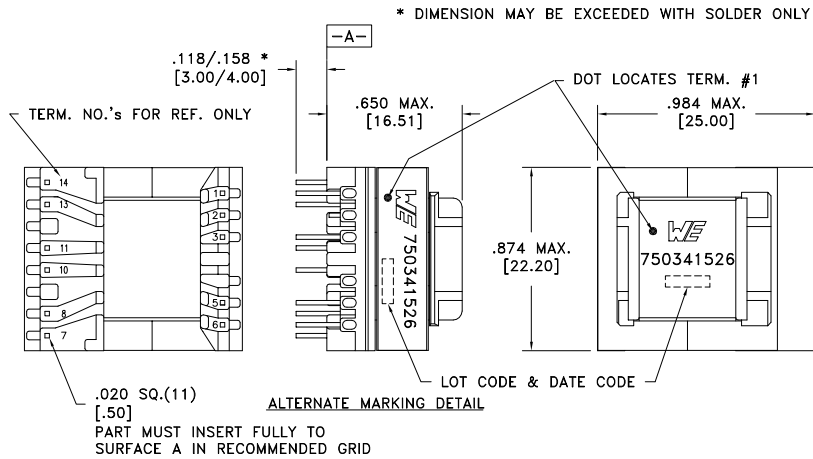


ELECTRICAL SPECIFICATIONS @ 25°C unless otherwise noted:

PARAMETER	TEST CONDITIONS	VALUE
D.C. RESISTANCE	3-1 @20°C	2.500 ohms max.
D.C. RESISTANCE	5-6 @20°C	1.465 ohms max.
D.C. RESISTANCE	7-8 @20°C	0.185 ohms max.
D.C. RESISTANCE	10-11 @20°C	0.520 ohms max.
D.C. RESISTANCE	13-14 @20°C	0.285 ohms max.
INDUCTANCE	3-1 10kHz, 1.0VAC, Ls	660uH ±10%
LEAKAGE INDUCTANCE	3-1 tie(5+6, 7+8+10+11+13+14), 100kHz, 100mVAC, Ls	25.00uH max.
DIELECTRIC	1-14 tie(3+5, 7+10+13), 4000VAC, 1 second	-
DIELECTRIC	14-Core tie(7+10+13), 4000VAC, 1 second	-
TURNS RATIO	(3-1):(5-6)	6.000:1, ±2%
TURNS RATIO	(3-1):(7-8)	6.000:1, ±2%
TURNS RATIO	(3-1):(10-11)	6.000:1, ±2%
TURNS RATIO	(3-1):(14-13)	10.667:1, ±2%

GENERAL SPECIFICATIONS:

OPERATING TEMPERATURE RANGE: -40°C to +125°C including temp rise.



Wire insulation & RoHS status not affected by wire color.
Wire insulation color may vary depending on availability.

REV.	DATE	Packaging Specifications Method: Tape & Reel PKG-0736 www.we-online.com/midcom		Tolerances unless otherwise specified: Angles: ±1° Fractions: ±1/64 Decimals: ±.005 [.13] Footprint: ±.001 [.03]	DRAWING TITLE TRANSFORMER	PART NO. 750341526
6A	2/13	SEE REVISION SHEET FOR REVISION LEVEL		This drawing is dual dimensioned. Dimensions in brackets are in millimeters.	eiSos p/n: 750341526	SPECIFICATION SHEET 1 OF 1