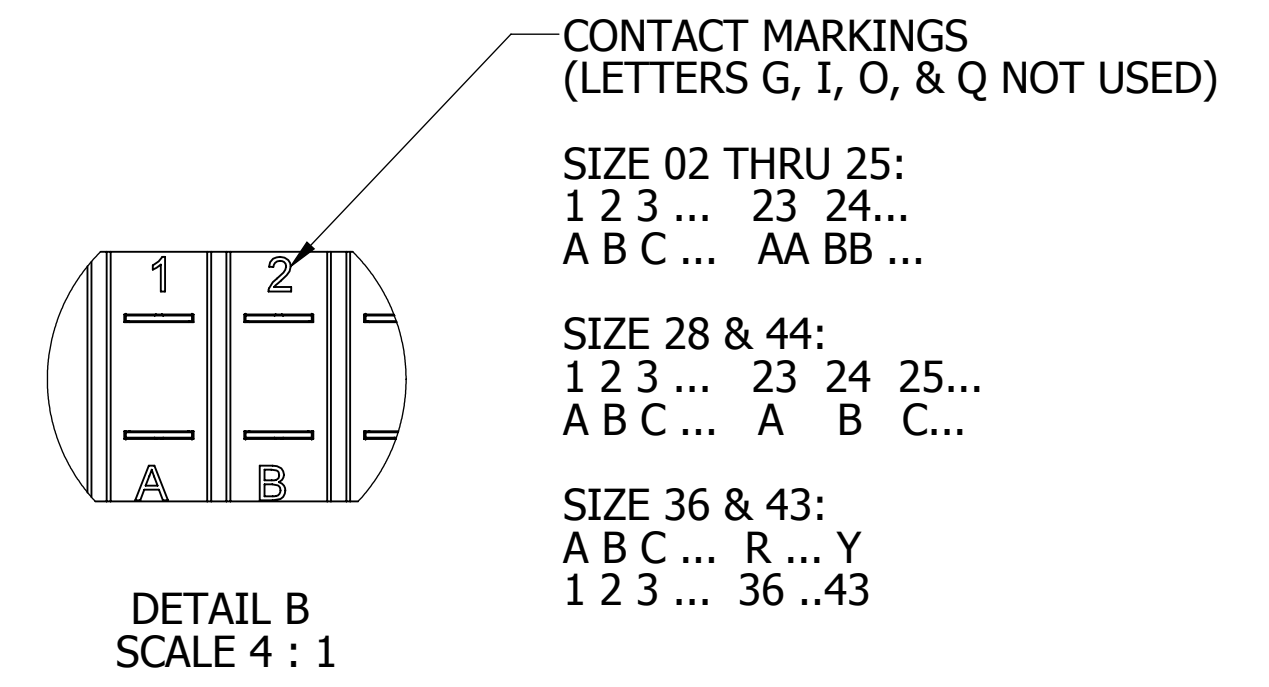
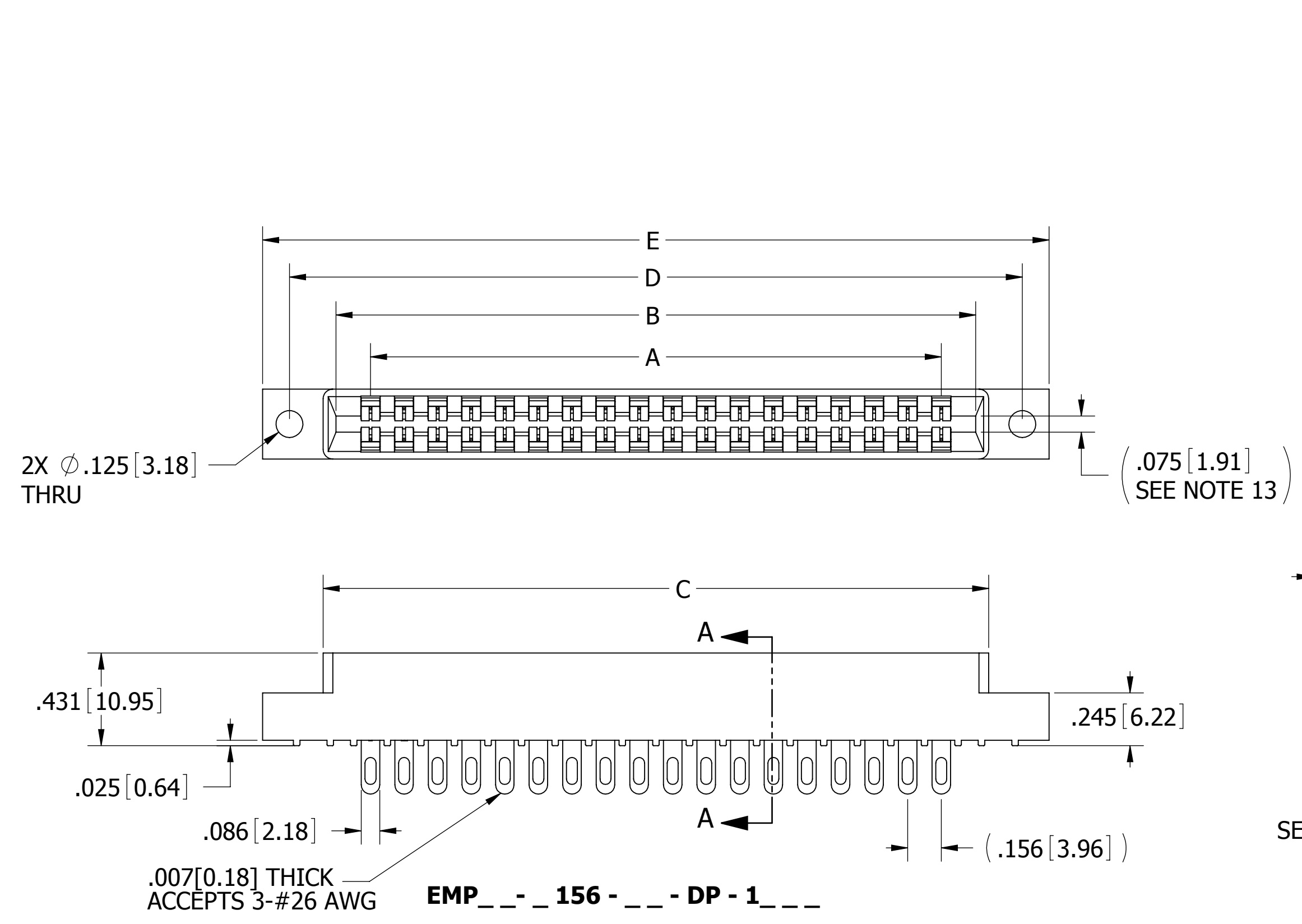
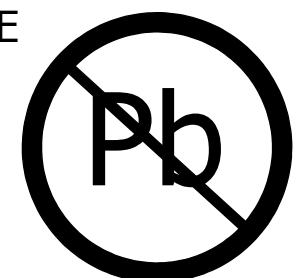


| REVISIONS | | | | |
|-----------|---------|---|------------|----|
| REV. | ECO. NO | DESCRIPTION | DATE | BY |
| A | 895 | INITIAL RELEASE | 01/11/2006 | HT |
| B | 2367 | UPDATED BOM, 'B' 'C', 'E MAX' & 'F' DIM, CONTACT MARKING & NOTES | 6/07/2011 | JH |
| C | 2384 | ADDED PLATING & INSULATOR MATERIAL OPTIONS, REMOVED ROW SPACING DIM | 6/21/2011 | JH |
| D | 2433 | UPDATED REF PN FOR S858, S1130, S1281 & S1313 OPTIONS | 8/22/2011 | JH |



- NOTES:
1. INSULATOR MATERIAL: SEE PART NUMBER CODING
 2. CONTACT MATERIAL: SEE PART NUMBER CODING
 3. PLATING: SEE PART NUMBER CODING
 4. OPERATING TEMPERATURE: SEE PART NUMBER CODING
 5. PROCESSING TEMP: SEE PART NUMBER CODING
 6. UL FLAMMABILITY RATING: 94V-0
 7. DIELECTRIC WITHSTANDING VOLTAGE: 950 VAC MINIMUM AT SEA LEVEL
 8. CURRENT RATING: 3 AMPS PER CONTACT
 9. CONTACT RESISTANCE: 30 MILLI OHMS MAX
 10. INSULATION RESISTANCE: 5000 MEGA OHMS
 11. DURABILITY: 500 CYCLES MIN
 12. CONNECTOR IDENTIFICATION: THE PART SHALL BE MARKED WITH A PART NUMBER AND LOT CODE
 13. BOARD THICKNESS ACCOMMODATED: $.062 \pm .008$ [1.57 ± 0.20]
 14. INSERTION FORCE: 16 OZ MAX PER CONTACT PAIR WHEN USING A $.062$ [1.57] TEST BLADE
INTERNAL INSPECTION TO BE PER SULLIN'S WORK INSTRUCTION WI7.3-01
 15. WITHDRAWAL FORCE: 1 OZ MIN PER CONTACT PAIR USING $.062$ [1.57] PCB



RoHS COMPLIANT

REF: _ _ M _ DSE _ - _ _ _

CUSTOMER COPY

| | | | | |
|--|--|----------|--------------|-----------------------|
| UNLESS OTHERWISE SPECIFIED: DIMENSIONS ARE IN INCHES [MM] | DRAWN | DATE | NAME | |
| | | 6/7/2011 | JH | |
| TOLERANCES: ANGULAR: ± 30' .XX=± .02 [.5] .XXX=± .005 [.13] .XXXX=± .0005 [.013] | THE INFORMATION HEREIN CONTAINS PROPRIETARY INFORMATION OF SULLINS ELECTRONICS AND IS NOT TO BE REPRODUCED, USED OR DISCLOSED TO OTHERS FOR ANY PURPOSE EXCEPT AS SPECIFICALLY AUTHORIZED IN WRITING BY AN OFFICER OF SULLINS ELECTRONICS. | | | TITLE |
| | INTERPRET DIMENSIONS AND TOLERANCING PER: ASME Y14.5M-2009 | | | EDGE CARD, .156 CC LP |
| PART NUMBER | | | | REV |
| EMP _ _ _ 156 - _ _ - DP - _ _ _ | | | | D |
| SIZE | CAGE CODE | DWG. NO. | | |
| C | 54453 | C10666 | | |
| SCALE: 2:1 | | | SHEET 1 OF 3 | |

| PART NUMBER | NO. OF POS. | A±.008[0.20] | | B±.008[0.20] | | C±.015[0.38] | | D±.010[0.25] | | E MAX | | F +.005[0.13]/-.015[0.38] | |
|--------------------|-------------|--------------|--------|--------------|--------|--------------|--------|-------------------|--------|-------|--------|---------------------------|-------|
| | | IN | MM | IN | MM | IN | MM | IN | MM | IN | MM | IN | MM |
| EMP__-156-02-DP-__ | 2 | 0.156 | 3.96 | 0.476 | 12.09 | 0.596 | 15.14 | "N" MOUNTING ONLY | | | | 0.325 | 8.26 |
| EMP__-156-03-DP-__ | 3 | 0.312 | 7.92 | 0.632 | 16.05 | 0.752 | 19.10 | | | | | | |
| EMP__-156-06-DP-__ | 6 | 0.780 | 19.81 | 1.100 | 27.94 | 1.220 | 30.99 | 1.533 | 38.94 | 1.902 | 48.31 | | |
| EMP__-156-08-DP-__ | 8 | 1.092 | 27.74 | 1.412 | 35.86 | 1.532 | 38.91 | 1.845 | 46.86 | 2.214 | 56.24 | | |
| EMP__-156-10-DP-__ | 10 | 1.404 | 35.66 | 1.724 | 43.79 | 1.844 | 46.84 | 2.157 | 54.79 | 2.526 | 64.16 | | |
| EMP__-156-11-DP-__ | 11 | 1.560 | 39.62 | 1.880 | 47.75 | 2.000 | 50.80 | 2.313 | 58.75 | 2.682 | 68.12 | | |
| EMP__-156-12-DP-__ | 12 | 1.716 | 43.59 | 2.036 | 51.71 | 2.156 | 54.76 | 2.469 | 62.71 | 2.838 | 72.09 | | |
| EMP__-156-15-DP-__ | 15 | 2.184 | 55.47 | 2.504 | 63.60 | 2.624 | 66.65 | 2.937 | 74.60 | 3.306 | 83.97 | | |
| EMP__-156-18-DP-__ | 18 | 2.652 | 67.36 | 2.972 | 75.49 | 3.092 | 78.54 | 3.405 | 86.49 | 3.774 | 95.86 | | |
| EMP__-156-22-DP-__ | 22 | 3.276 | 83.21 | 3.596 | 91.34 | 3.716 | 94.39 | 4.029 | 102.34 | 4.398 | 111.71 | | |
| EMP__-156-24-DP-__ | 24 | 3.588 | 91.14 | 3.908 | 99.26 | 4.028 | 102.31 | 4.341 | 110.26 | 4.710 | 119.63 | | |
| EMP__-156-25-DP-__ | 25 | 3.744 | 95.10 | 4.064 | 103.23 | 4.184 | 106.27 | 4.497 | 114.22 | 4.866 | 123.60 | | |
| EMP__-156-28-DP-__ | 28 | 4.212 | 106.98 | 4.532 | 115.11 | 4.652 | 118.16 | 4.965 | 126.11 | 5.334 | 135.48 | 0.438 | 11.13 |
| EMP__-156-36-DP-__ | 36 | 5.460 | 138.68 | 5.780 | 146.81 | 5.900 | 149.86 | 6.213 | 157.81 | 6.582 | 167.18 | 0.438 | 11.13 |
| EMP__-156-43-DP-__ | 43 | 6.552 | 166.42 | 6.872 | 174.55 | 6.992 | 177.60 | 7.305 | 185.55 | 7.674 | 194.92 | 0.500 | 12.70 |
| EMP__-156-44-DP-__ | 44 | 6.708 | 170.38 | 7.028 | 178.51 | 7.148 | 181.56 | 7.461 | 189.51 | 7.830 | 198.88 | 0.500 | 12.70 |

PART NUMBER CODING

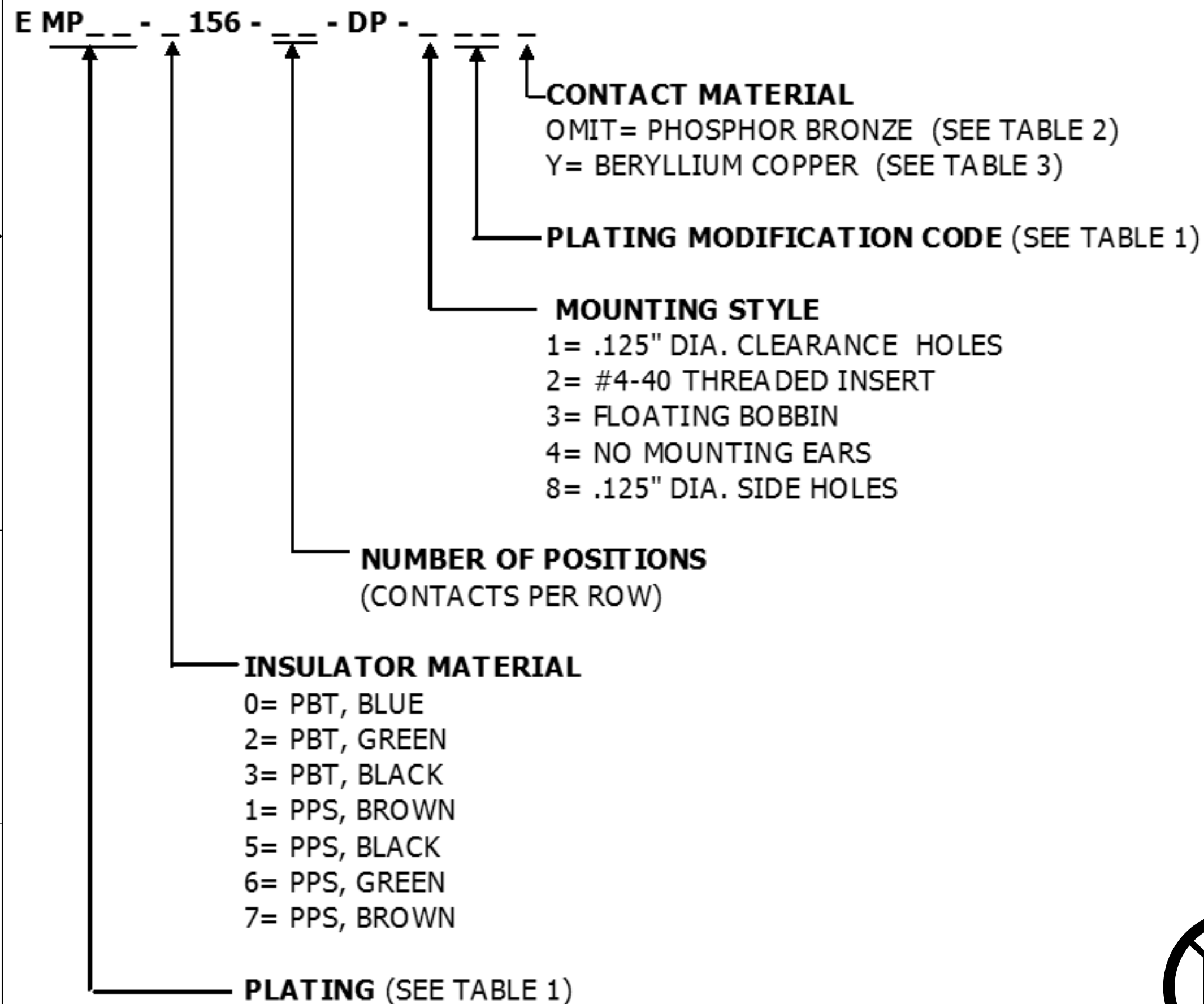


TABLE 1 (PLATING):

ALL PLATINGS HAVE .000050" NICKEL UNDERPLATE

| | CONTACT SURFACE | TERMINATION | PLATING MODIFICATION CODE |
|------|----------------------------------|--------------------------|---------------------------|
| MP | .000010" GOLD OVERALL | | OMIT |
| | .000030" GOLD | .000010" GOLD OVERALL | G |
| MPSL | .000010" GOLD | .000100" PURE TIN, MATTE | K |
| | .000030" GOLD | .000100" PURE TIN, MATTE | GK |
| MPL | .000100" PURE TIN, MATTE OVERALL | | K |

(MPL PLATING AVAILABLE WITH PHOSPHOR BRONZE CONTACTS ONLY)

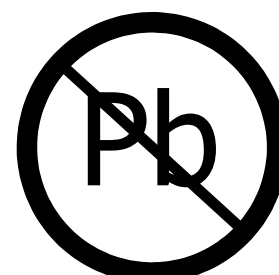
TABLE 2 (PHOSPHOR BRONZE CONTACTS):

| INSULATOR MATERIAL CODE | OPERATING TEMPERATURE | PROCESSING TEMPERATURE |
|-------------------------|-----------------------|---|
| 0, 2, 3 | -65°C TO +125°C | 260°C FOR 10 SEC MAX (230°C, 30 SEC) |
| 1, 5, 6, 7 | -65°C TO +125°C | 260°C FOR 120 SEC MAX |

TABLE 3 (BERYLLIUM COPPER CONTACTS):

| INSULATOR MATERIAL CODE | OPERATING TEMPERATURE | PROCESSING TEMPERATURE |
|-------------------------|-----------------------|---|
| 0, 2, 3 | -65°C TO +125°C | 260°C FOR 10 SEC MAX (230°C, 30 SEC) |
| 1, 5, 6, 7 | -65°C TO +150°C | 260°C FOR 120 SEC MAX |

CUSTOMER COPY



RoHS COMPLIANT

| | | | | |
|---|---|----------|------|--------------|
| UNLESS OTHERWISE SPECIFIED: DIMENSIONS ARE IN INCHES [MM] | DRAWN | DATE | NAME | |
| | | 6/7/2011 | JH | |
| TOLERANCES: ANGULAR: ± 30' .XX=± .02 [.5] .XXX=± .005 [.13] .XXXX=± .0005 [.013] | <small>THE INFORMATION HEREIN CONTAINS PROPRIETARY INFORMATION OF SULLINS ELECTRONICS AND IS NOT TO BE REPRODUCED, USED OR DISCLOSED TO OTHERS FOR ANY PURPOSE EXCEPT AS SPECIFICALLY AUTHORIZED IN WRITING BY AN OFFICER OF SULLINS ELECTRONICS.</small> | | | TITLE |
| | INTERPRET DIMENSIONS AND TOLERANCING PER: ASME Y14.5M-2009 | | | |
| PART NUMBER | | | | REV |
| EMP__-156-__-DP-__ | | | | D |
| SIZE | CAGE CODE | DWG. NO. | REV | |
| C | 54453 | C10666 | D | |
| SCALE: 3:1 | | | | SHEET 3 OF 3 |