

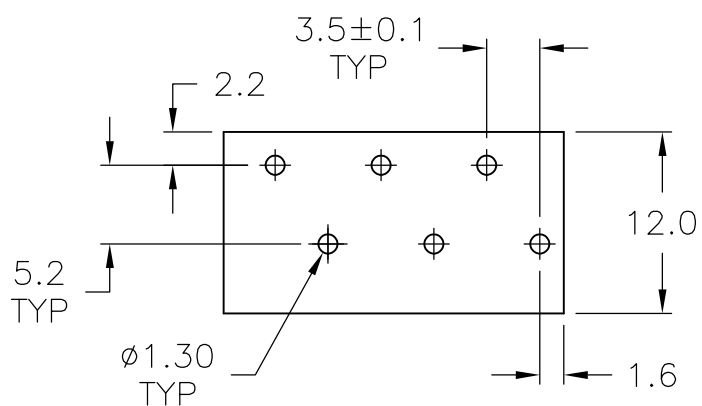
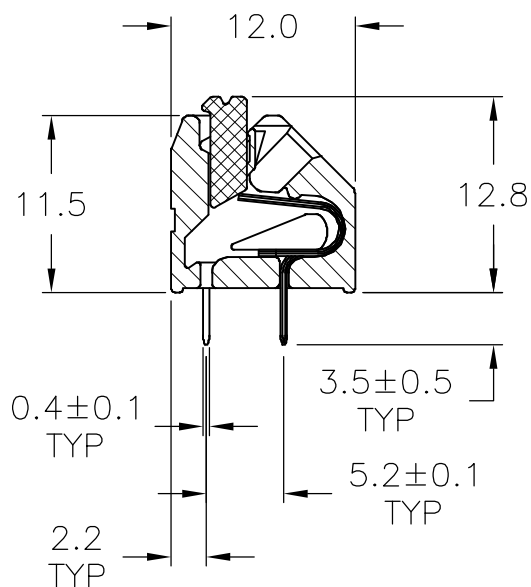
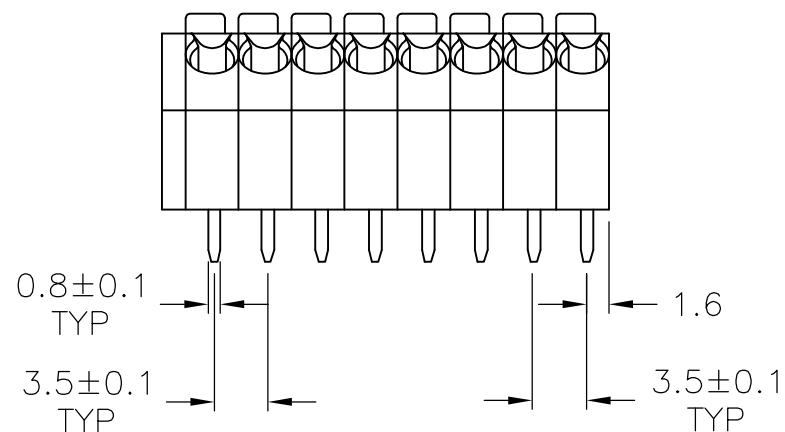
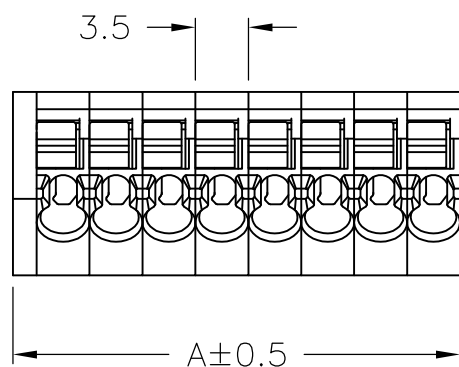
THIS DRAWING IS UNPUBLISHED. RELEASED FOR PUBLICATION
 © COPYRIGHT BY TYCO ELECTRONICS CORPORATION. ALL RIGHTS RESERVED.

LOC	DIST	REVISIONS			
P	LTR	DESCRIPTION	DATE	DWN	APVD
FT	0				
	1	-	9/17/07	SS	CR

MATERIALS:
 HOUSING: POLYAMIDE 66, UL94V-0, COLOR: GREEN.
 LEVER: POLYAMIDE 66, UL94V-0, COLOR: ORANGE.
 TERMINAL: PHOS. BRONZE, TIN PLATED.

ELECTRICAL:
 CURRENT RATING: 2A
 VOLTAGE RATING: 300V
 WIRE RANGE: 16-20AWG
 WIRE STRIP LENGTH: 7.5-8.5mm

ENVIRONMENT:
 OPERATING TEMP.: -40°C TO 105°C



RECOMMENDED PCB LAYOUT

THIS PRINT IS
PRELIMINARY
 PRIOR TO CUSTOMER ORDER
 CONTACT PRODUCT ENGINEERING
 BEFORE USING THIS PRINT

43.50	12	1-1986238-2
40.00	11	1-1986238-1
36.50	10	1-1986238-0
33.00	9	1986238-9
29.50	8	1986238-8
26.00	7	1986238-7
22.50	6	1986238-6
19.00	5	1986238-5
15.50	4	1986238-4
12.00	3	1986238-3
8.50	2	1986238-2
DIM A	NO OF POS	PART NUMBER

THIS DRAWING IS A CONTROLLED DOCUMENT.		DWN S SCHLEGEL 17SEP2007	Tyco Electronics Corporation Harrisburg, PA 17105-3608	
DIMENSIONS: mm		CHK C RICHARD 9/17/07		
TOLERANCES UNLESS OTHERWISE SPECIFIED:		APVD C RICHARD 9/17/07	NAME	
0 PLC ± - 1 PLC ± 0.3 2 PLC ± - 3 PLC ± - 4 PLC ± - ANGLES ± 1°		PRODUCT SPEC		
MATERIAL		APPLICATION SPEC		
FINISH		WEIGHT		
		SIZE A3		CAGE CODE 00779
		DRAWING NO C-1986238		RESTRICTED TO
CUSTOMER DRAWING		SCALE NTS		SHEET 1 OF 1
				REV 1