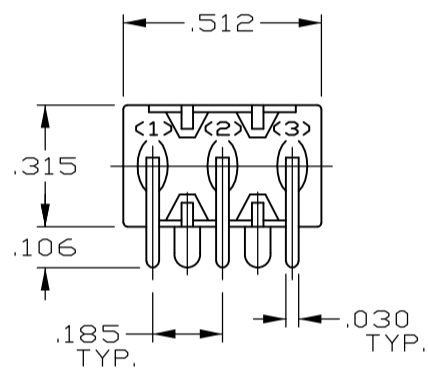
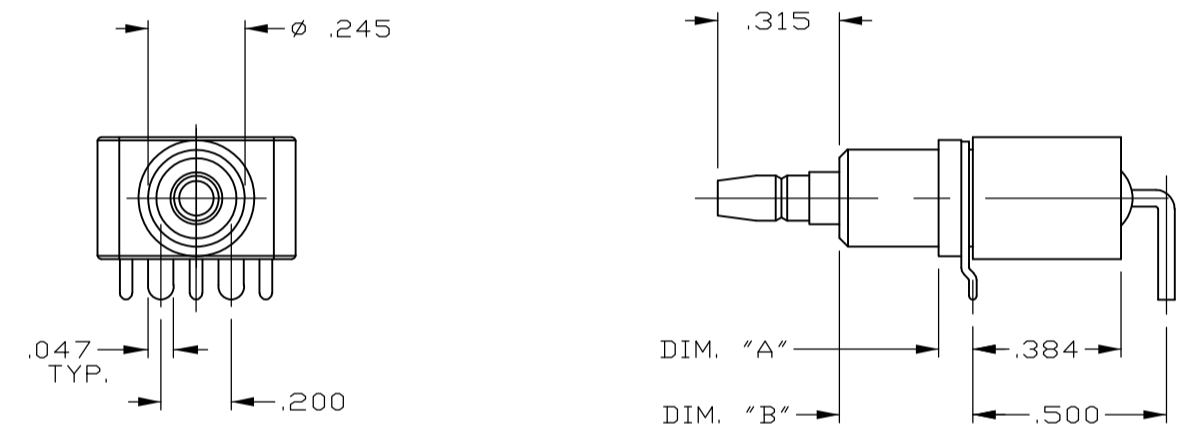
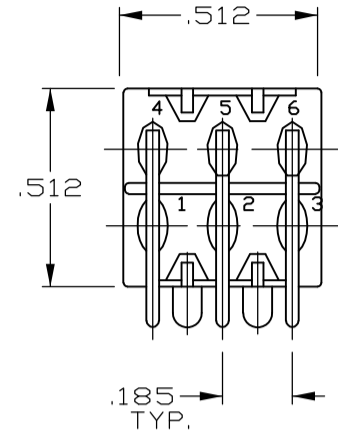
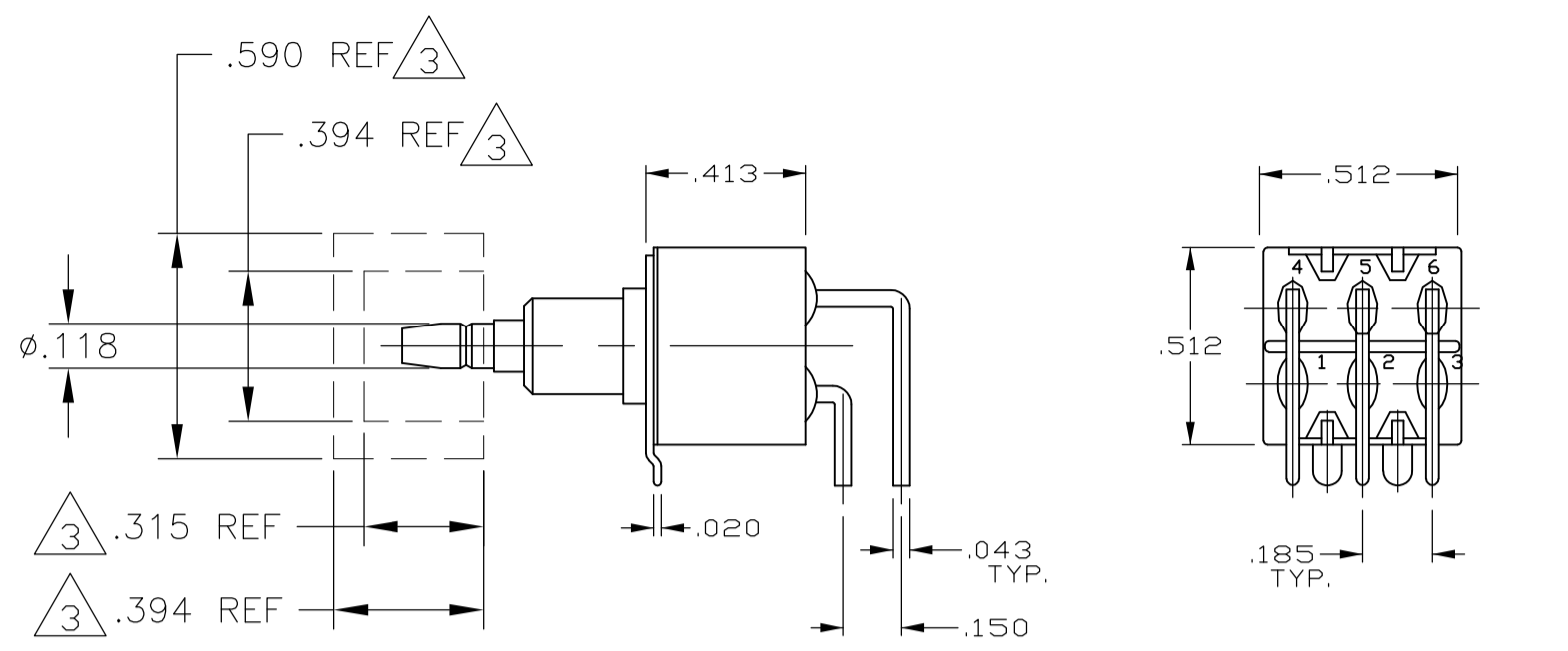


THIS DRAWING IS UNPUBLISHED. RELEASED FOR PUBLICATION
 © COPYRIGHT BY TYCO ELECTRONICS CORPORATION. ALL RIGHTS RESERVED.

LOC		DIST		REVISIONS			
P	LTR	DESCRIPTION	DATE	DWN	APVD		
	A1	ECO-07-013575	19JUN2007	MB	MZ		

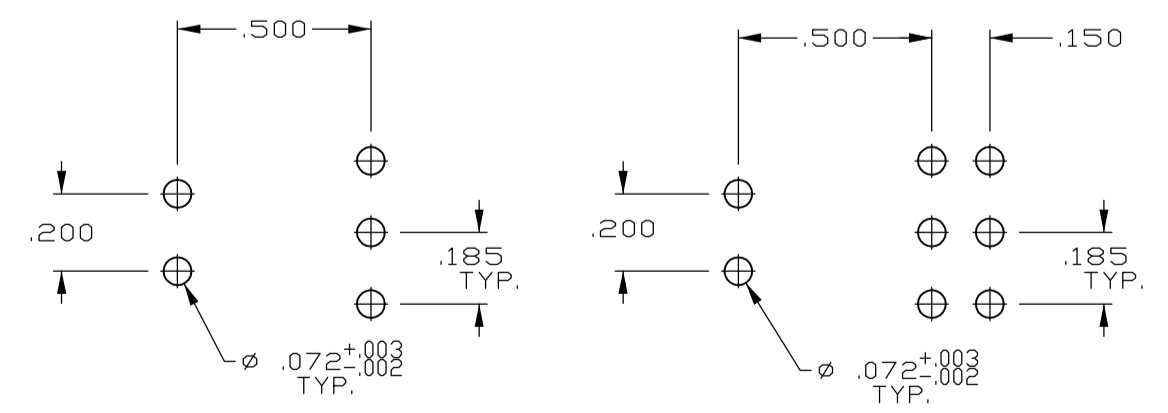


- Terminal numbers are for reference only and do not appear on switches.
- All materials and finishes shall comply with EU Directive 2002/95/EC of 27Jan2003 (RoHS).

Switch does not include plastic cap. Dimensions shown describe Alcoswitch cap C22* and C23* found on drawings 1825068 & 1825069 and sold separately.

Specifications	
Rating	3A @ 125VAC, resistive load
Initial contact resistance	10 milliohms max @ 1A, 2-4 VDC
Insulation resistance	1,000 megohms min. @ 500VDC
Dielectric withstanding voltage	1,000 VRMS at sea level
Durability	50,000 cycles
Operating Force	MPS103DRA04 = 400 +/-200 grams MPS103FRA04 = 300 +/-100 grams MPS203NRA04 = 500 +300/-200 grams MPS203RRA04 = 500 +200/-100 grams
Travel	momentary = .039 push on/push off = .098
Operating temperature	-15C to +70C
Storage temperature	-15C to +70C

Materials		
Component name	Base material	Finish
Case	Epoxy resin, UL94 V-0, black	
Frame	stainless steel	
Actuator	Copper alloy	Nickel
Fixed contact	Copper alloy	Silver
Moving contact	Phosphor bronze, silver clad	
Terminals	Copper alloy	Silver
Support bracket	Brass	Tin



RECOMMENDED HOLE LAYOUT
 TOLERANCE ±.002 UNLESS OTHERWISE NOTED

Tyco P/N	Alco P/N	Poles	Throws	Dim "A"	Dim "B"	Function		Connected terminals	
						On	Mom	3-2	6-5
1825400-1	MPS103DRA04	1	2	.108	.423	On	On	3-2	3-1
1825400-2	MPS103FRA04	1	2	.074	.364	On	Mom	3-2	3-1
1825400-3	MPS203NRA04	2	2	.108	.423	On	On	3-2, 6-5	3-1, 6-4
1825400-4	MPS203RRA04	2	2	.074	.364	On	Mom	3-2, 6-5	3-1, 6-4

THIS DRAWING IS A CONTROLLED DOCUMENT.		DWN R BROWN 09JUN2006	Tyco Electronics Corporation Harrisburg, Pa 17105-3608	
DIMENSIONS: INCHES		CHK M.ZITTO 09JUN2006	NAME PUSH BUTTON, SNAP ACTION SWITCH (MPS 103*RA, MPS 203*RA) SERIES	
TOLERANCES UNLESS OTHERWISE SPECIFIED: 0 PLC ± - 1 PLC ± - 2 PLC ± - 3 PLC ± .010 4 PLC ± - ANGLES ± 1°		APVD M.ZITTO 09JUN2006	RESTRICTED TO	
MATERIAL SEE CHART		FINISH SEE CHART	WEIGHT -	SCALE 2:1
CUSTOMER DRAWING		SIZE A2	CAGE CODE 00779	DRAWING NO. 1825400
		SHEET 1 OF 1		REV A1

1825400