

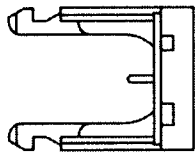
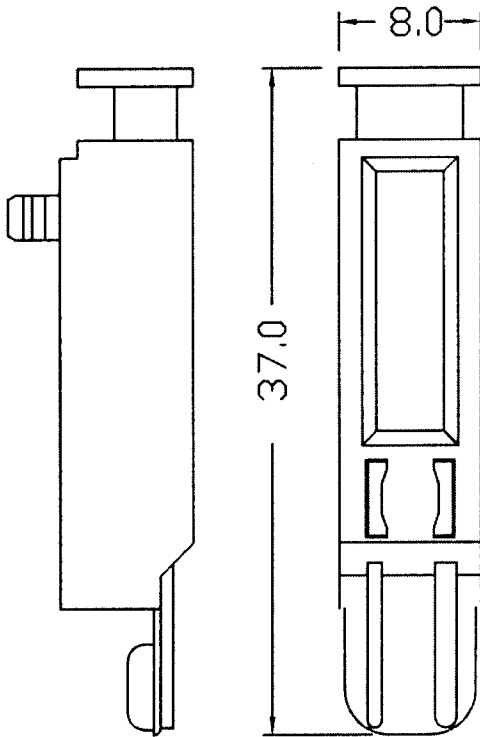
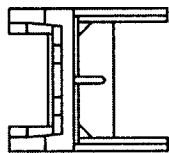
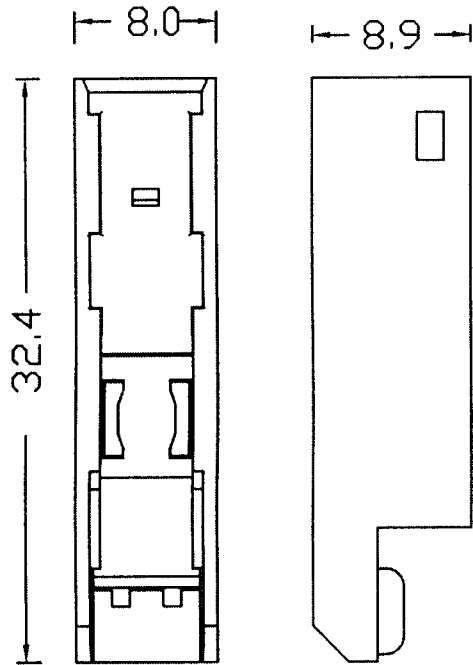
Tous droits strictement réservés. Reproduction ou communication à des tiers interdite sans quelque forme que ce soit sans autorisation écrite du propriétaire. Propriété de ©BERG ELECTRONICS. Droits de reproduction BERG ELECTRONICS INC.

All rights strictly reserved. Reproduction or issue to third parties in any form without written authority from the proprietor. Property of ©BERG ELECTRONICS Copyright BERG ELECTRONICS INC.



PRODUCT NO.
84663-002

PRODUCT NO.
84663-001



NOTES:

1. SEE APPLICATION SPECIFICATION, GES-20-007, FOR INSTRUCTION ON WIRE INSERTION AND ASSEMBLY OF COMPONENTS FOR CONNECTOR USING THESE COVERS.

MATERIAL:

GLASS FILLED 612 POLYAMIDE

mat'l. code				tolerances unless otherwise specified				CUSTOMER COPY		BERG ELECTRONICS	
ltr	ecn no	dr	date	linear	angles	projection	title		5x4 COVERS		
A	V82260	JRV	D1/04/99				84666 CABLE CONNECTOR		product family METRAL code		
				dr	J.R. VOLSTORF	D1/04/99	mm	size	dwg no	sheet	
				enqr	J.R. VOLSTORF	D1/04/99	scale	A4	84663	1 of 1	
				chr	J.R. VOLSTORF	D1/04/99	1:1				
				appd	J.R. VOLSTORF	D1/04/99					
sheet index	revision sheet	A	1								