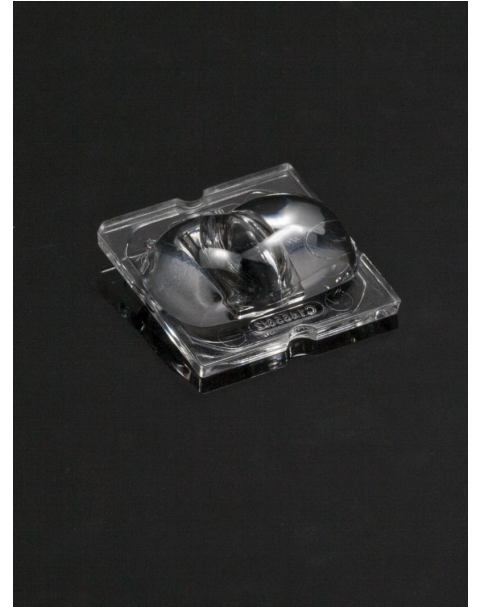


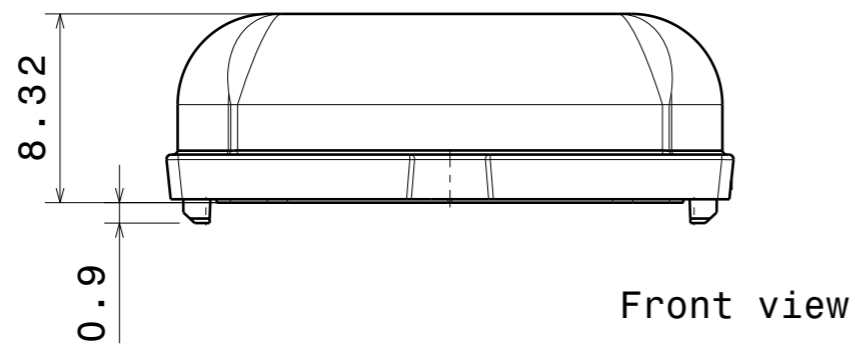
## DETAILS

<b>Product Number</b>	C14656_STRADA-SQ-ANZ-P
<b>Family</b>	Strada
<b>Type</b>	Lens
<b>Color</b>	clear
<b>Diameter</b>	25x25 mm
<b>Height</b>	8,12 mm
<b>Style</b>	square
<b>Optic Material</b>	PMMA
<b>Holder Material</b>	
<b>Fastening</b>	tape, glue, screw, pin
<b>Status</b>	production ready
<b>ROHS Compliant</b>	Yes
<b>Date Updated</b>	11/02/2016

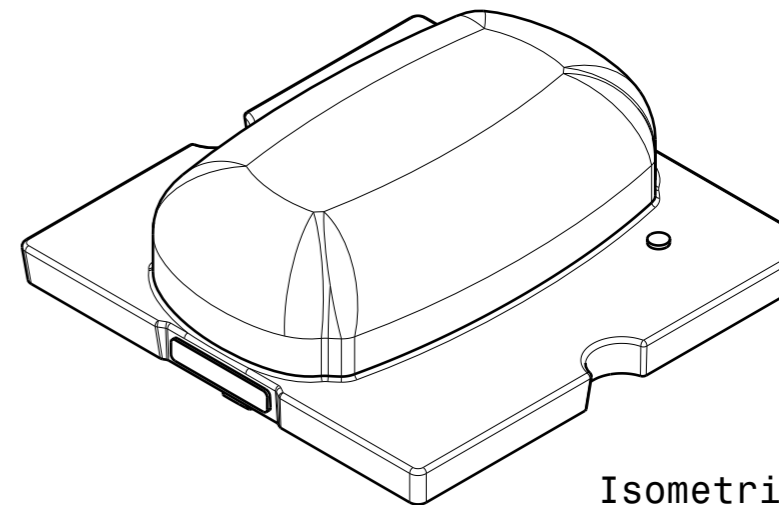


## OPTICAL PROPERTIES

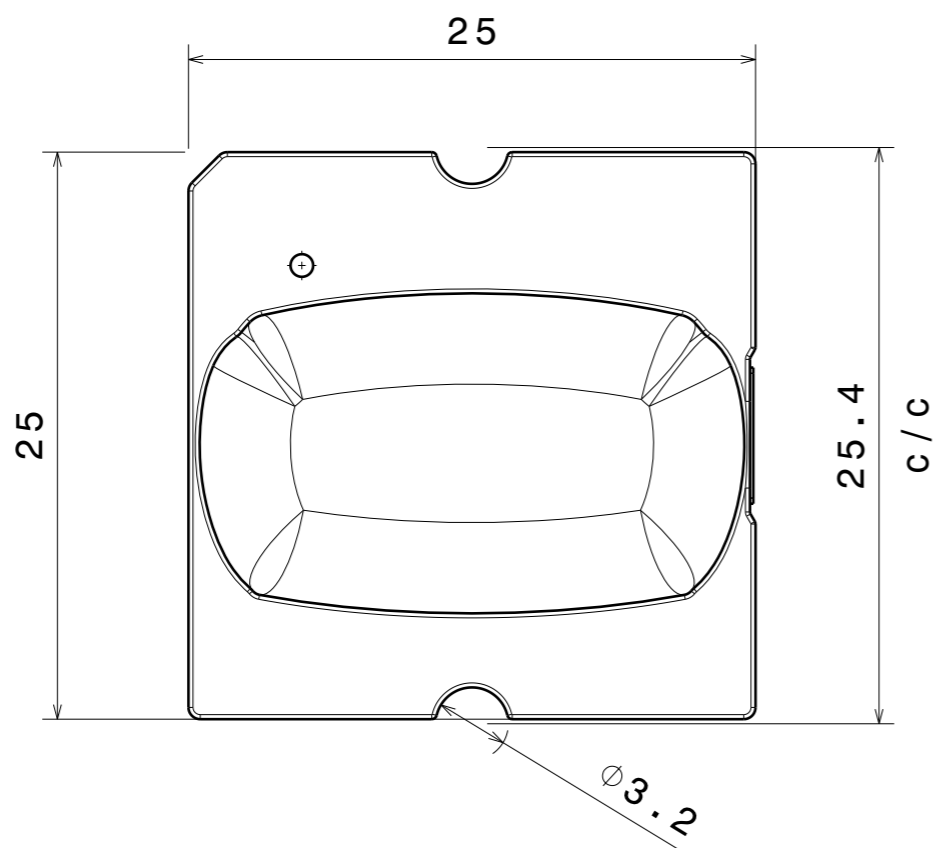
LED	Viewing	Light	Effi-		Connector
	Angle	Beam	ciency	cd/lm	
XHP35 HD	sim: Asymmetri	Asymmetric	sim: 90 %	sim: 0.670	-
XHP35 HI	sim: Asymmetri	Asymmetric	sim: 92 %	sim: 0.750	-
LUXEON M/MX	Asymmetric deg	Asymmetric	94 %	0.520	-
Duris P10	sim: Asymmetri	Asymmetric	sim: 91 %	sim: 0.547	-



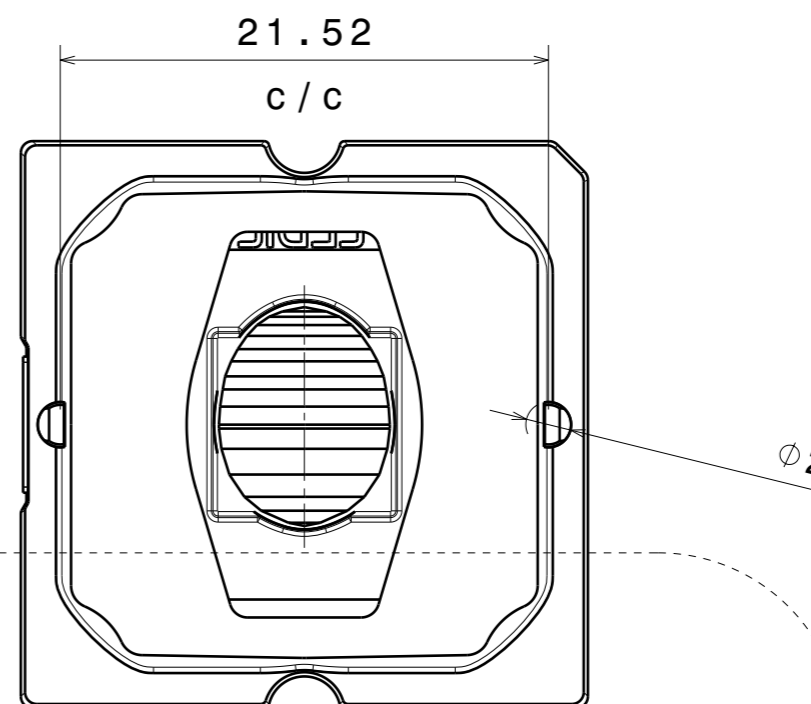
Front view



Isometric view



Top view



Bottom view

INDEX	PART NO	DESCRIPTION	MATERIAL	COLOUR
1	C14656	STRADA-SQ-ANZ-P	PMMA	

Tolerances if not otherwise shown  
According to DIN ISO 2768-1  
Linear measures:  
up to 30mm class M, otherwise class C  
According to DIN ISO 2768-2  
Form and position: class L



LediL Oy  
Salorankatu 10  
FIN 24240 SALO  
Finland

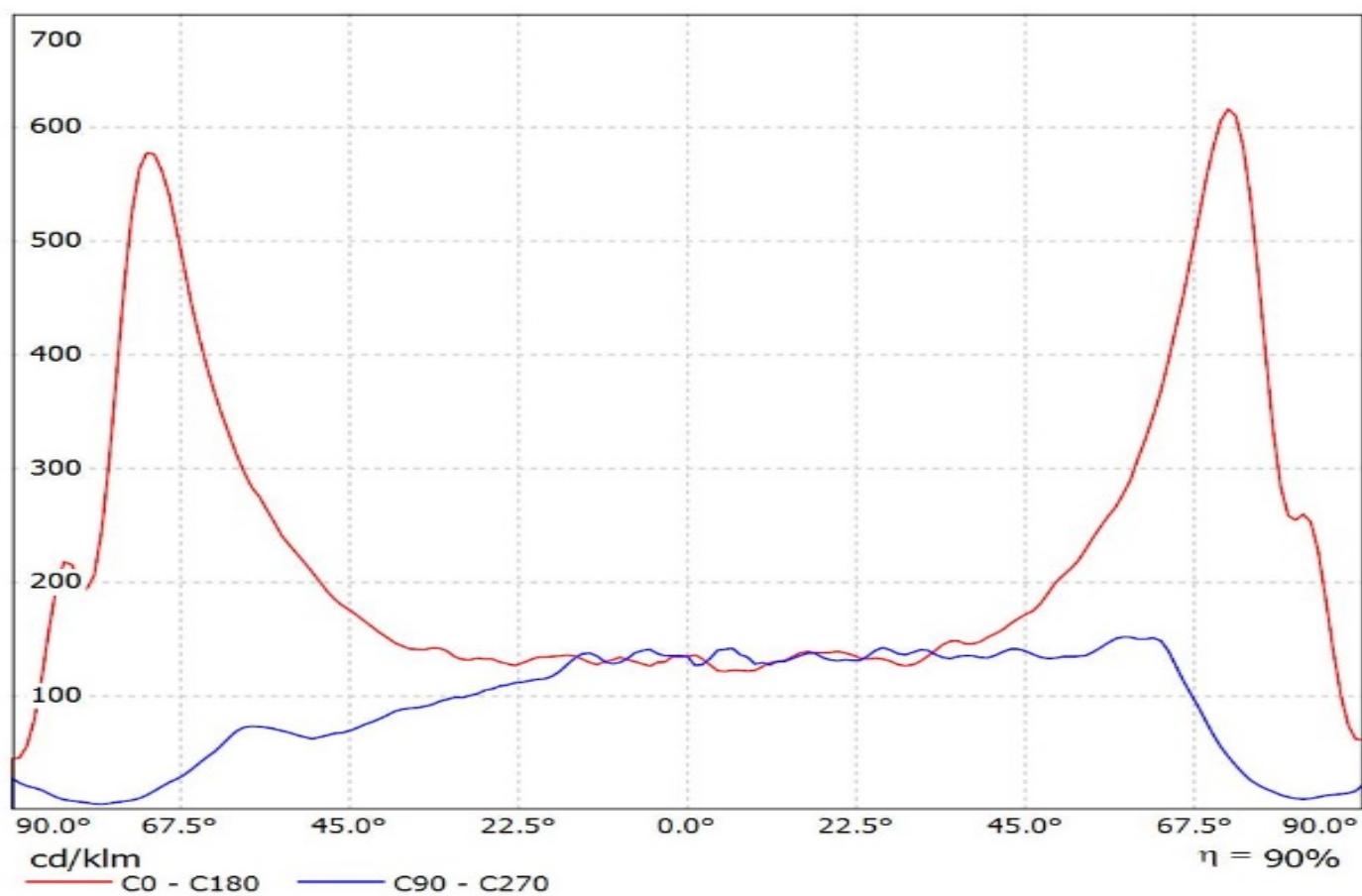
THIRD ANGLE PROJECTION:

DRAWING TITLE  
**C14656\_STRADA-SQ-ANZ-P**

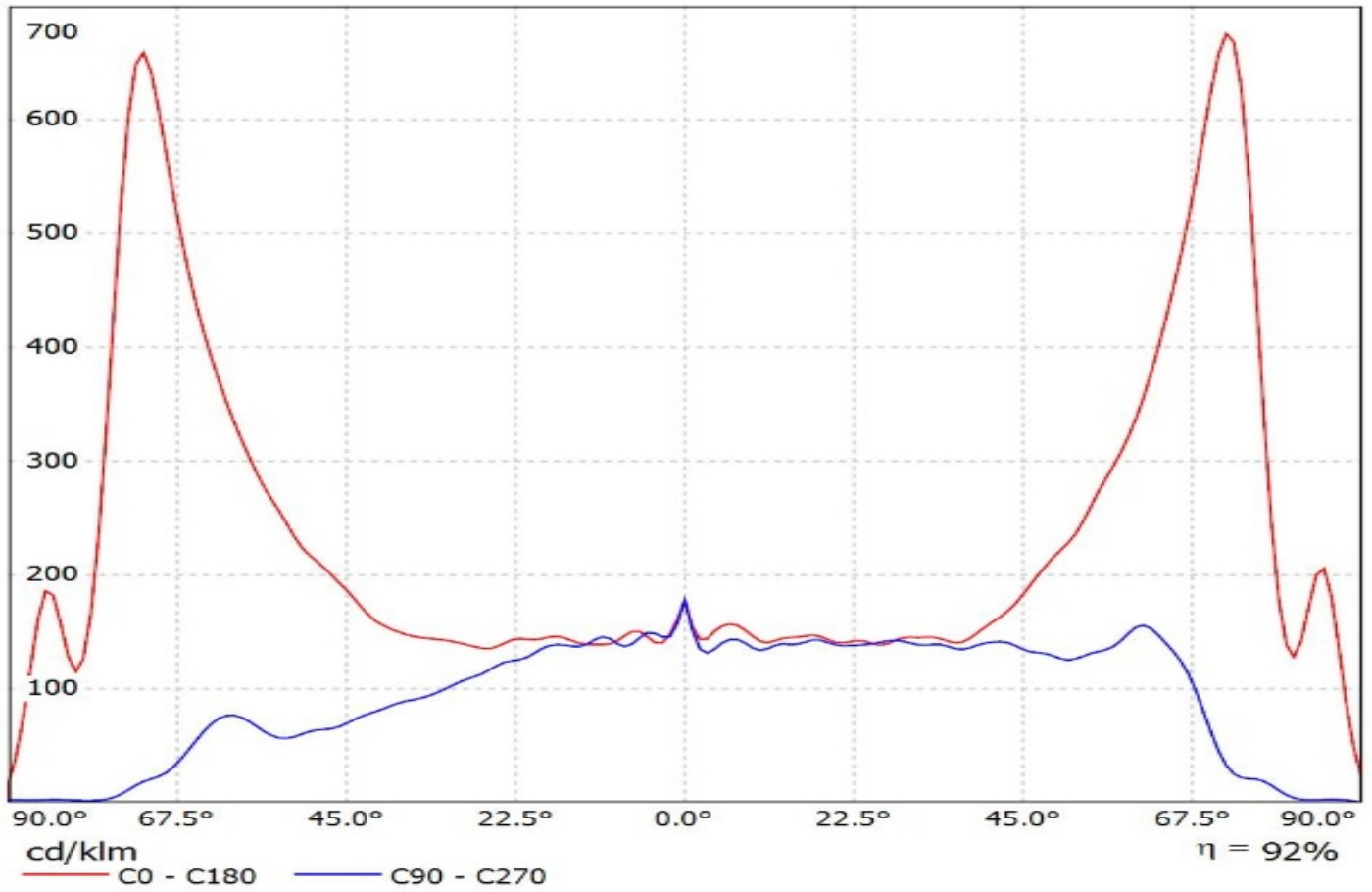
This drawing is the property  
of LEDiL Oy. It may not be  
reproduced, copied or  
communicated without a written  
agreement with LEDiL Oy.

SIZE	PART NUMBER	
A3	C14656	
SCALE	3:1	WEIGHT 2,7 g
SHEET		1/1

Luminaire: Ledil Oy C14656\_STRADA-SQ-ANZ-P\_(XHP35\_HD)\_SIMULATED  
Lamps: 1 x Cree XHP35 HD



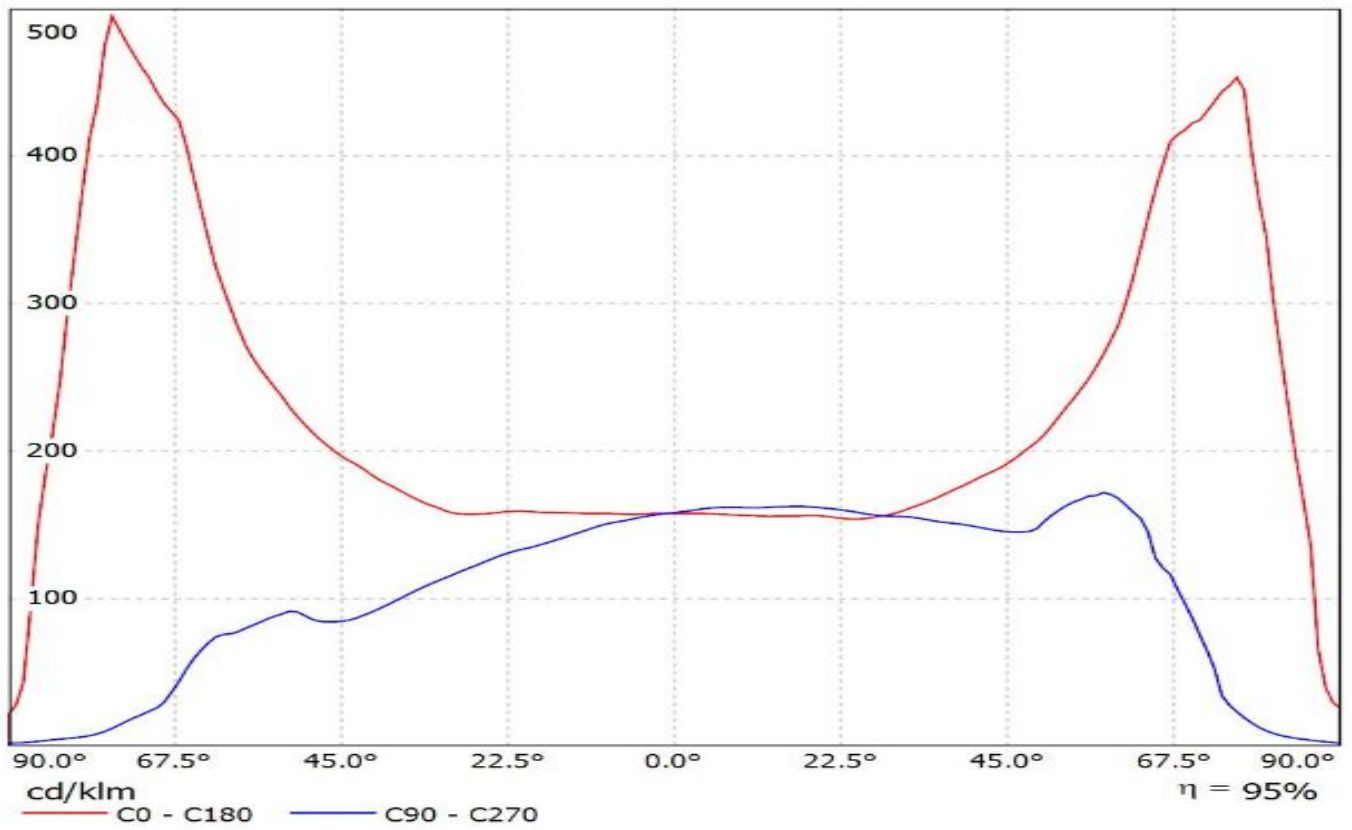
Luminaire: Ledil Oy C14656\_STRADA-SQ-ANZ-P\_(XHP35\_HI)\_SIMULATED  
Lamps: 1 x Cree XHP35 HI



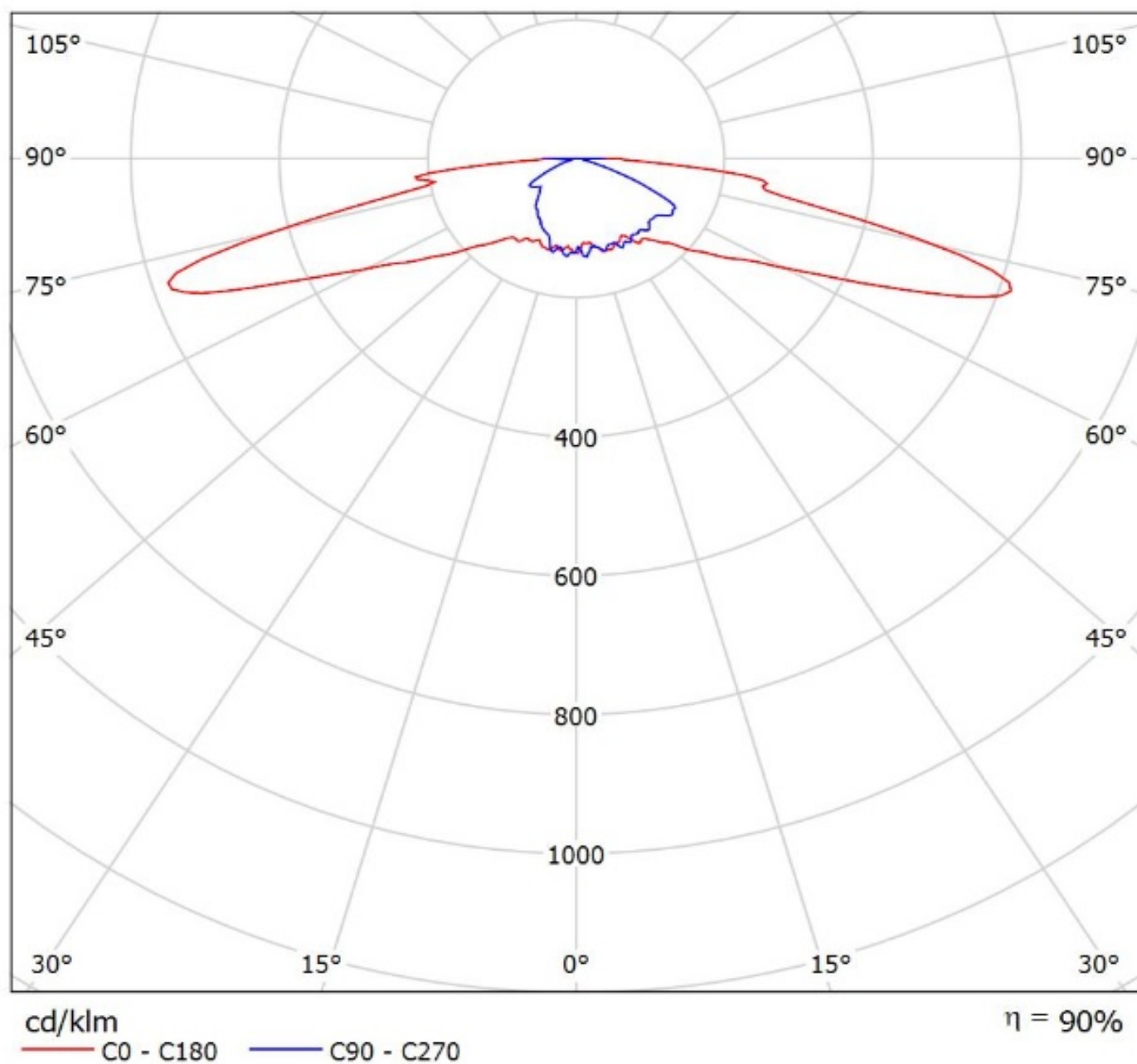
# LEDiL Oy C14656\_STRADA-SQ-ANZ-P\_(Luxeon\_M) / LDC (Linear)

Luminaire: LEDiL Oy C14656\_STRADA-SQ-ANZ-P\_(Luxeon\_M)

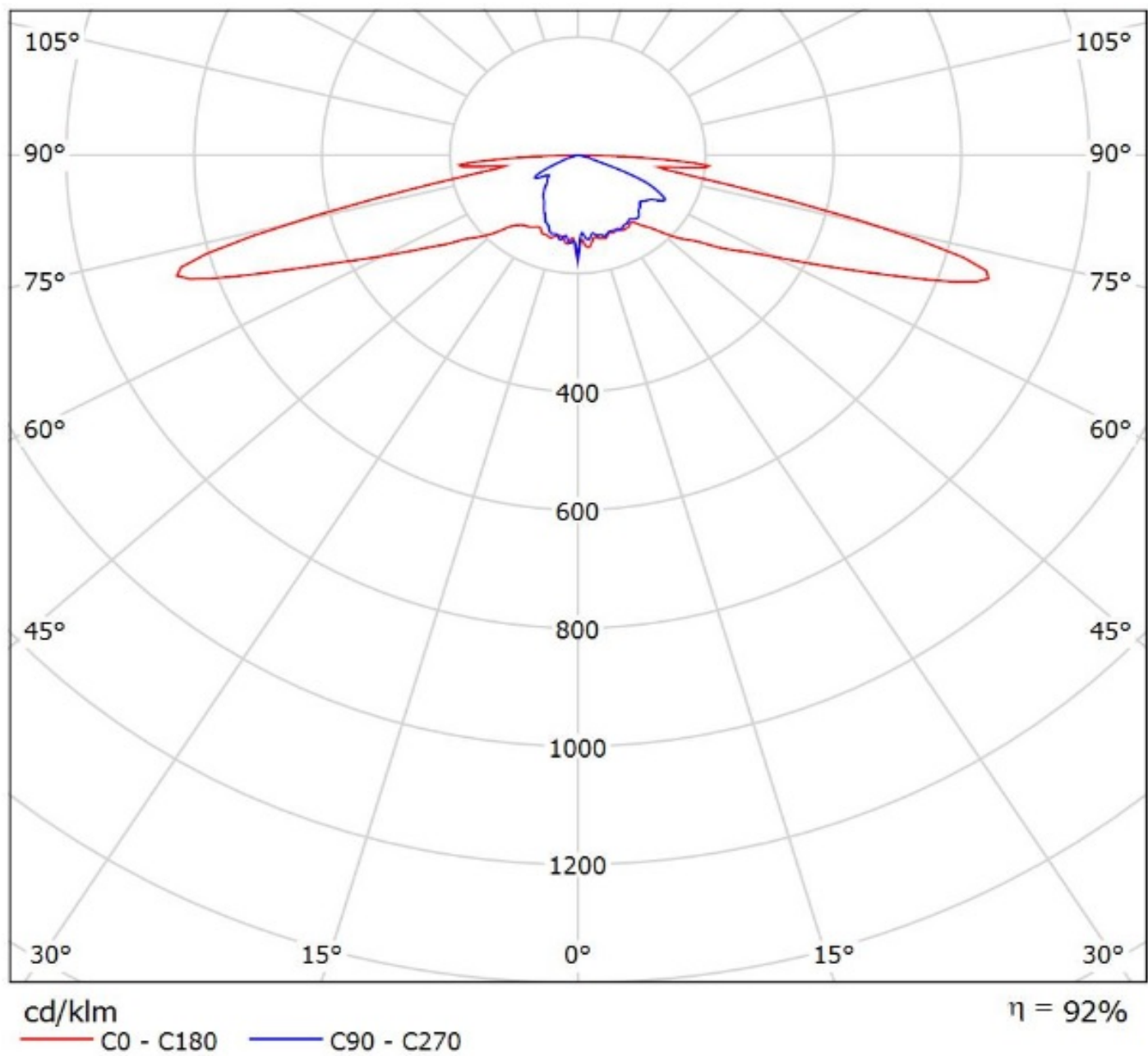
Lamps: 1 x Luxeon\_M\_(LXR8-SW30)\_353.376lm@250mA\_P=2.7710W\_I=0.250A



Luminaire: Ledil Oy C14656\_STRADA-SQ-ANZ-P\_(XHP35\_HD)\_SIMULATED  
Lamps: 1 x Cree XHP35 HD



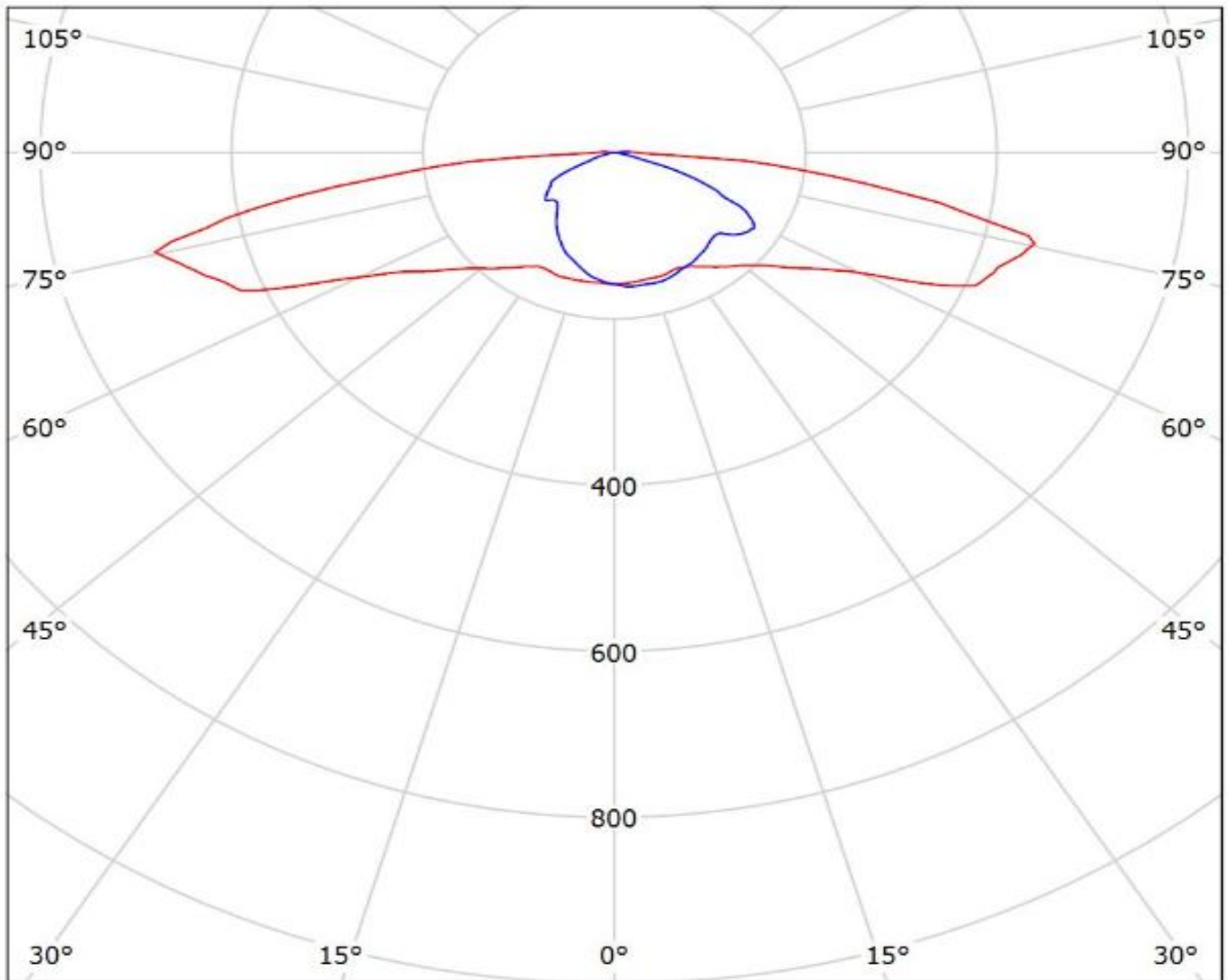
Luminaire: Ledil Oy C14656\_STRADA-SQ-ANZ-P\_(XHP35\_HI)\_SIMULATED  
Lamps: 1 x Cree XHP35 HI



# LEDiL Oy C14656\_STRADA-SQ-ANZ-P\_(Luxeon\_M) / LDC (Polar)

Luminaire: LEDiL Oy C14656\_STRADA-SQ-ANZ-P\_(Luxeon\_M)

Lamps: 1 x Luxeon\_M\_(LXR8-SW30)\_353.376lm@250mA\_P=2.7710W\_I=0.250A



cd/klm

— C0 - C180    — C90 - C270

$\eta = 95\%$



**NOTE: The typical divergence will be changed by different color, chip size and chip position tolerance. The typical total divergence is the full angle measured where the luminous intensity is half of the peak value.**