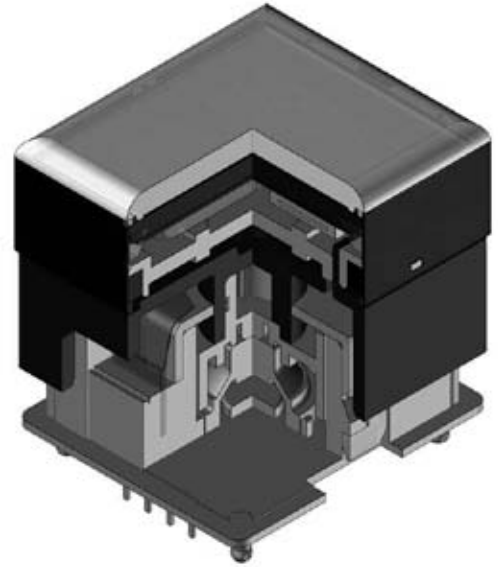


DISTINCTIVE CHARACTERISTICS

- High definition, contrast and resolution of 96RGB x 64 pixels in compact screen and minimal frame
- Range of 65,536 colors in 16 bit mode
- Operating life of 50,000 hours minimum
- Maximum use of display lens with ultra-thin frame provides full screen capacity
- Multiple units easily combine to form one screen, offering flexibility in size and layout
- Smooth, silent operation with short stroke of 0.07" lends to tactile feedback unparalleled to touch panels
- Same outer dimensions of switch and footprint, enabling ease of replacement with current switches
- Operated by commands and data supplied via serial communications (SPI)
- Incorporates bitmap display function
- Low energy consumption
- Dust tight construction
- Snap-in standoff for easy, secure mounting and alignment; aids in prevention of dislodging during wave soldering



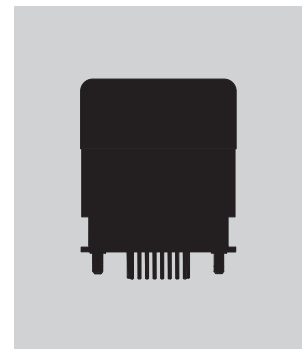
Viewing area: 21.28mm x 18.74mm (horizontal x vertical)

Long life of one million actuations minimum

Highly reliable gold plated twin contacts

Epoxy sealed straight PC terminals

Actual Size



PART NUMBER & DESCRIPTION



| Part Number | Switch Description | OLED | Pixel Format |
|------------------|--|---|--|
| ISF15ACP4 | SPST, Momentary ON Gold Contacts Straight PC Terminals | Color OLED Display Module 65,536 Colors | 96RGB x 64 Pixels Horizontal x Vertical |

SWITCH SPECIFICATIONS

| | |
|--------------------------------------|--|
| Circuit | SPST normally open |
| Contact Position | Leave actuator: ① – ② OFF Push actuator: ① – ② ON |
| Electrical Capacity (Resistive Load) | 100mA @ 12V DC (resistive circuit) |
| Contact Resistance | 200 milliohms maximum @ 20mV 10mA |
| Insulation Resistance | 100 megohms minimum @ 100V DC |
| Dielectric Strength | 125V AC for 1 minute minimum |
| Mechanical Endurance | 1,000,000 operations minimum |
| Electrical Endurance | 1,000,000 operations minimum |
| Operating Force | 2.0 ± 0.5 Newtons |
| Total Travel | 1.8mm (0.07") |

OLED SPECIFICATIONS

Characteristics of Display

| | |
|-----------------------------|---|
| Display Device | Color OLED display module |
| Display Mode | Passive matrix |
| Viewing Area | 21.28mm x 18.74mm (horizontal x vertical) |
| Pixel Format | 96RGB x 64 pixels (horizontal x vertical) |
| Pixel Size | 0.222mm x 0.293mm (horizontal x vertical) |
| Interface | Serial (SPI) interface |
| Number of Colors | 65,536 Colors (16bit: R 5bit/G 6bit/B 5bit) or 256 Colors (8bit: R 2bit/G 3bit/B 3bit) |
| Operating Temperature Range | -20°C ~ +70°C (-4°F ~ +158°F) |
| Storage Temperature Range | -30°C ~ +80°C (-22°F ~ +176°F) |
| Operating Life (Display) | 50,000 hours @ 100cd/m ² (based on 40% pixels ON; Ta = 77°F) |

Absolute Maximum Ratings

| Items | Symbols | Ratings |
|------------------------------------|-----------------|--------------------------------|
| Supply Voltage for Logic/Interface | V _{DD} | -0.3V to +4.0V |
| Supply Voltage for Drive | V _{CC} | -0.0V to +19.0V |
| Input Voltage | V _I | -0.3V to V _{DD} +0.3V |

Current Consumption

(Temperature at 25°C, V_{DD} = 2.8V, V_{CC} = 15.0V)

| Items | Symbols | Min | Typical | Max |
|--|------------------|-----|---------|--------|
| All-Pixels-On Mode *Drive System Power Current | I _{CC1} | — | 11.0mA | 13.2mA |
| All-Pixels-On Mode *Logic/IF System Power Current | I _{DD1} | — | 0.17mA | 0.20mA |
| Sleep Mode **Drive System Power Current | I _{CC2} | — | — | 10μA |
| Sleep Mode **Logic/IF System Power Current | I _{DD2} | — | — | 10μA |

* All pixels shall be turned on with the maximum level gray scale

** All pixels shall be turned off (while chip is operating)

Recommended Operating Conditions

| Items | Symbols | Minimum | Typical | Maximum |
|------------------------------------|-----------------|-----------------------|---------|-----------------------|
| Supply Voltage for Logic/Interface | V _{DD} | 2.4V | 2.8V | 3.5V |
| Supply Voltage for Drive | V _{CC} | 14.0V | 15.0V | 16.0V |
| Input High Level Voltage | V _{IH} | 0.8 x V _{DD} | — | — |
| Input Low Level Voltage | V _{IL} | — | — | 0.2 x V _{DD} |

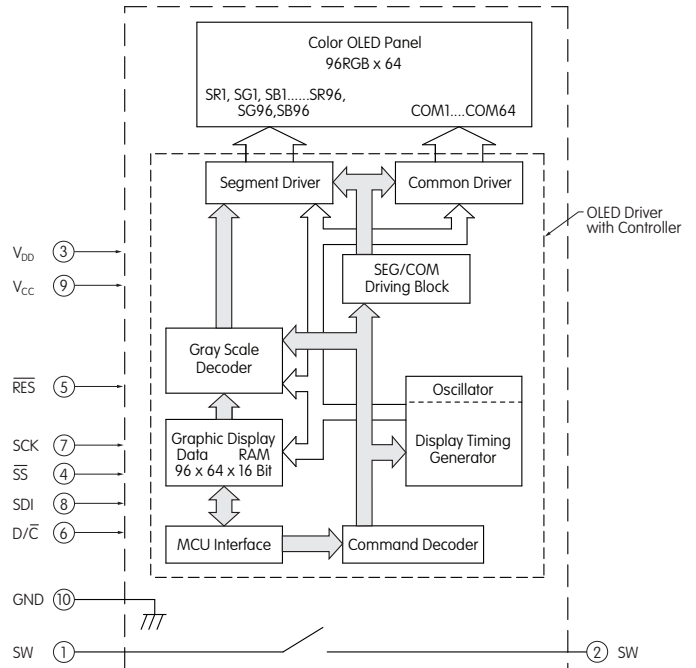
Optical Characteristics (Temperature at 25°C, Initial Value: 87 x 0F)

| Items | Min | Typical | Max | Unit | Remarks |
|------------------------|-----|---------|------|-------------------|-----------------------|
| Luminosity | 80 | 105 | 130 | cd/m ² | White (All pixels on) |
| White Color Coordinate | (x) | 0.26 | 0.30 | 0.34 | — |
| | (y) | 0.31 | 0.36 | 0.41 | — |
| Red Color Coordinate | (x) | 0.62 | 0.66 | 0.70 | — |
| | (y) | 0.30 | 0.34 | 0.38 | — |
| Green Color Coordinate | (x) | 0.24 | 0.29 | 0.33 | — |
| | (y) | 0.59 | 0.63 | 0.67 | — |
| Blue Color Coordinate | (x) | 0.10 | 0.15 | 0.19 | — |
| | (y) | 0.10 | 0.17 | 0.23 | — |
| Contrast Ratio | 100 | — | — | — | — |

BLOCK DIAGRAM & PIN CONFIGURATIONS

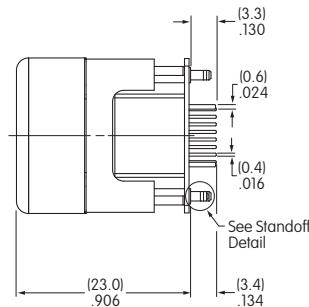
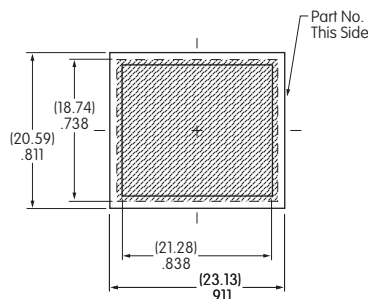


ISF15ACP4

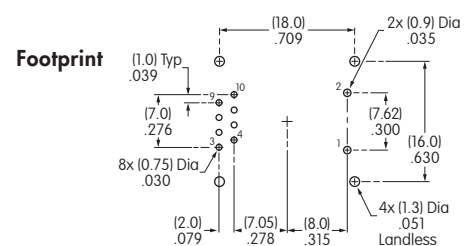
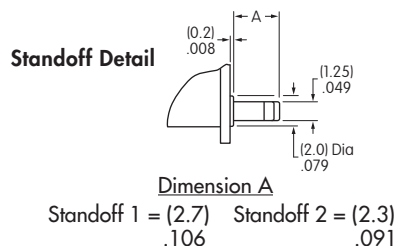
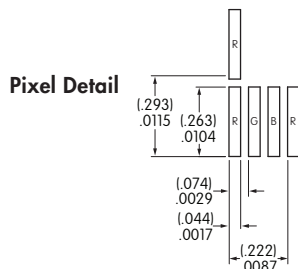
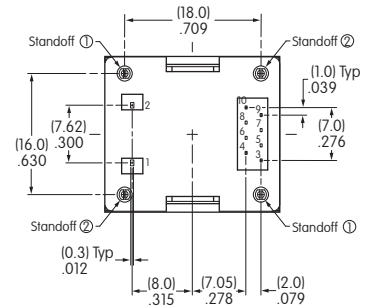


| Pin No. | Symbol | Name | Function |
|---------|-----------------|--------------------|--|
| ① | SW | Terminal of Switch | Normally open |
| ② | SW | Terminal of Switch | Normally open |
| ③ | V _{DD} | Power | Power source for logic circuit |
| ④ | SS | Slave Select | Slave select for SPI. This line is active low. |
| ⑤ | RES | Reset | Reset signal input. When pin is low, initialization of chip is executed. |
| ⑥ | D/C | Data/Command | Data/Command Control. When pin is pulled low, data will be interpreted as Command; when pulled high, data will be interpreted as Data. |
| ⑦ | SCK | Serial Clock | Clock line for SPI that synchronizes command and data |
| ⑧ | SDI | Serial Data In | Data input line for SPI |
| ⑨ | V _{CC} | Power | Power source for drive circuit |
| ⑩ | GND | Ground | Connect to Ground |

TYPICAL SWITCH DIMENSIONS



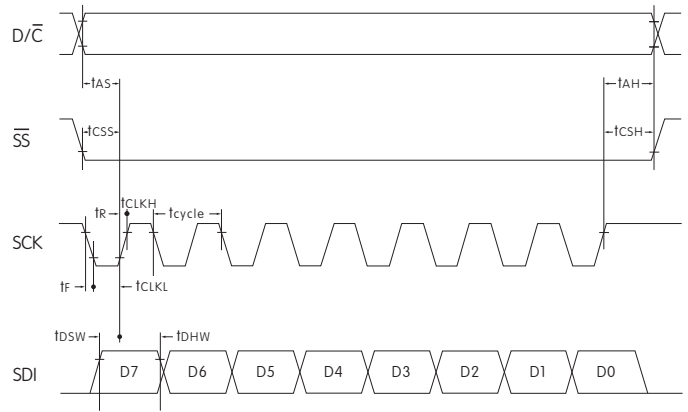
Terminal numbers are not on the switch.



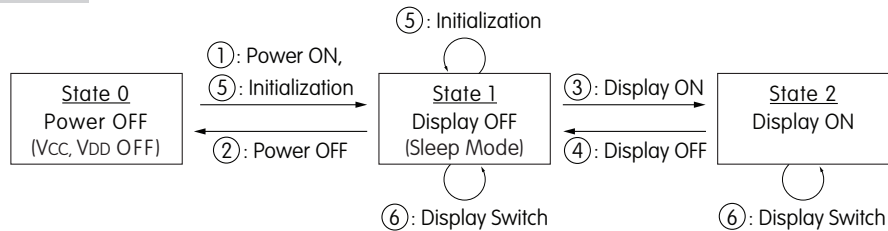
TIMING SPECIFICATIONS

AC Characteristics (Temperature at 25°C), $V_{DD} = 2.4V \sim 3.5V$

| Items | Symbols | Minimum | Typical | Maximum |
|-------------------------|-------------|---------|---------|---------|
| Clock Cycle Time | t_{cycle} | 150ns | — | — |
| D/ \bar{C} Setup Time | t_{AS} | 40ns | — | — |
| D/ \bar{C} Hold Time | t_{AH} | 40ns | — | — |
| \bar{SS} Setup Time | t_{CSS} | 75ns | — | — |
| \bar{SS} Hold Time | t_{CSH} | 60ns | — | — |
| Write Data Setup Time | t_{DSW} | 40ns | — | — |
| Write Data Hold Time | t_{DHW} | 40ns | — | — |
| SCK Low Time | t_{CLKL} | 75ns | — | — |
| SCK High Time | t_{CLKH} | 75ns | — | — |
| SCK Rise Time | t_R | — | — | 15ns |
| SCK Fall Time | t_F | — | — | 15ns |



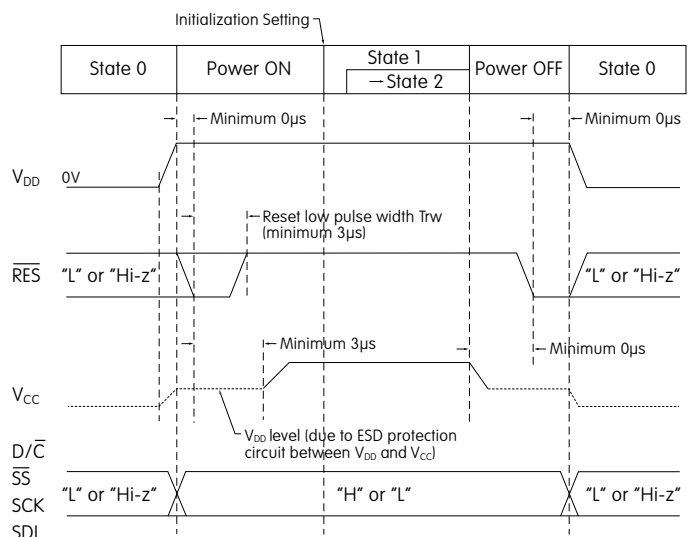
STATE TRANSITION



| State Number | State | Display | Sleep | V_{CC} | V_{DD} | Changing the Display |
|--------------|-------------|---------|-------|----------|----------|----------------------|
| 0 | Power OFF | OFF | — | OFF | OFF | Disable |
| 1 | Display OFF | OFF | ON | ON | ON | Enable |
| 2 | Display ON | ON | OFF | ON | ON | Enable |

| State Transition | Transition | Index |
|------------------|------------------|-------------------------------------|
| ① | Power ON | Refer to "Power ON/OFF Sequence" |
| ② | Power OFF | |
| ③ | Display ON | |
| ④ | Display OFF | |
| ⑤ | Initialization | Initialize Setting of Command/Data |
| ⑥ | Image Rewriting | Send Display Data |
| | Display Settings | Dimmer, Scroll, etc. |

Power ON/OFF Sequence



PRECAUTIONS FOR HANDLING & STORAGE OF OLED DEVICES

Handling



1. The IS Series OLED devices are electrostatic sensitive. To avoid damage to IC, do not touch terminals unless properly isolated from static electricity.
2. Signal input under conditions not recommended may cause damage to the OLED unit or deterioration of the display. Follow directions regarding supply sequences of power and signal voltages.
3. If the OLED panel is broken, avoid touching the contents. Wash off any contact to the skin or clothing.
4. Limit operating force to switch keytop to 100.0N maximum, as excessive pressure may damage the OLED.
5. Recommended soldering time and temperature limits for OLED switch:
Avoid temperatures exceeding 80°C at the OLED.
Wave Soldering: see Profile A in Supplement section.
Manual Soldering: see Profile A in Supplement section.
6. The IS series OLED devices are not process sealed.
7. Pixels acquire diminished brightness over time and use, and those most frequently habituated have greater reduction of brightness than those less used. To minimize this difference, operate OLED unit so that all pixels are used as consistently as possible.
8. Clean cap surface with dry cloth. If further cleaning is needed, wipe with dampened cloth using neutral cleanser and dry with clean cloth. Do not use organic solvent.
9. Proper serial resistors and buffers for signals should be used to prevent noise problems.

Storage

1. Store in original container and away from direct sunlight.
2. Keep away from static electricity.
3. Avoid extreme temperatures, high humidity, gaseous substances, and all forms of chemical contamination.