

Dimensions are in millimeters

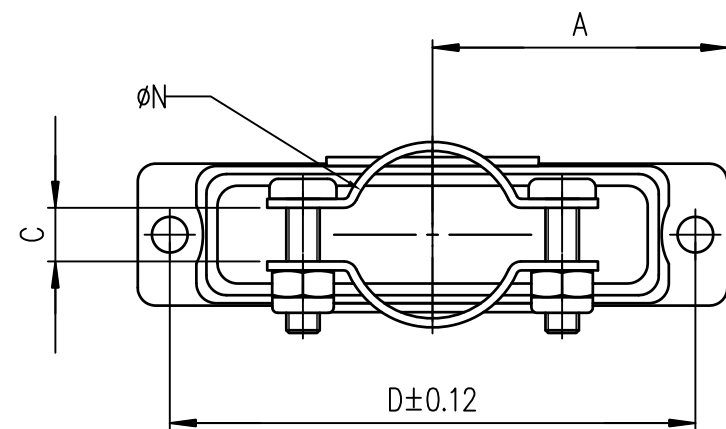
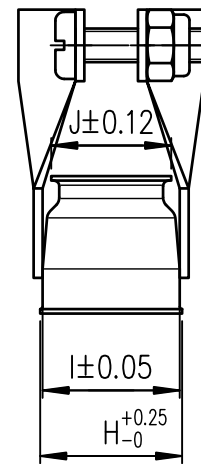
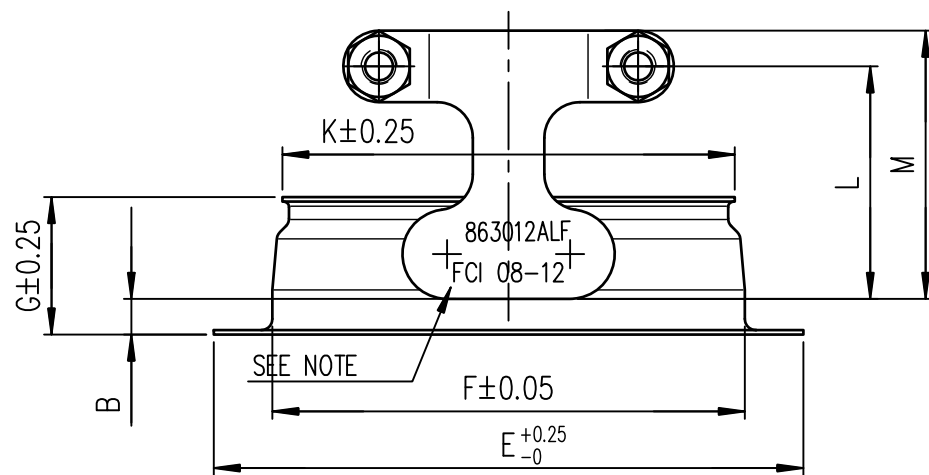
Shell size	PART NUMBER	PART NUMBER	A	B	C	D	E	F	G	H	I	J	K	L	M	ØN
E	863010LF	863010ASP206LF	15.27	2.4	2.4	24.99	30.55	20.21	12.3	12.7	12.28	10.74	18.6	20.8	24	8
A	863011LF	863011ASP206LF	19.44	2.4	3.2	33.32	38.89	28.55	12.3	12.7	12.28	10.74	27	20.8	24	10
B	863012LF	863012ASP206LF	26.39	3.2	4.75	47.04	52.78	42.29	12.3	12.7	12.28	10.74	40.5	20.8	24	15
C	863013LF	863013ASP206LF	34.53	3.2	6.35	63.50	69.06	58.75	12.3	12.7	12.28	10.74	56.96	20.8	24	18
D	863014LF	863014ASP206LF	33.34	3.2	4.75	61.11	66.67	56.36	12.3	15.4	15.15	13.02	55.03	20.8	24	20.6
	packaging : 100 pieces	packaging : 1 piece														

NOTES

- MATERIAL : STEEL
- CORROSION RESISTANCE : 48 HOURS EXPOSURE TO SALT SPRAY
- MARKING FOR PART NUMBERS WITH SP206 :
MARKING ON THE HOOD -FCI PART NUMBER WITHOUT SP206 +FCI, WEEK AND YEAR CODE
MARKING ON THE LABEL -FCI PART NUMBER + WEEK AND YEAR CODE

NOTE1:RoHS INFORMATIONS

- The "LF" product meets European union Directives and other country regulations as described in GS-47-0004.
- The product is not intended to be exposed to a manufacturing solder process.
- Plating: Zinc Cr3+, white color.
- Packaging spec: see GS-14-920.



mat'l. code SEE NOTES				surface ISO 1302 ✓		tolerance ISO 406 ISO 1101		projection MM		product family D-SUB		
ltr	ecn no	dr	date	tolerances unless otherwise specified						title METAL HOOD WITH CLAMP STRAIGHT EXIT		
A	LS05-0123	LGO	2006/01/12	angles	linear	O.X ±0.1					dwg no C01-8655-1654	
B	LS06-0095	LGO	2006/06/24			O.XX ±0.1					sheet 1 of 1	
C	LS08-0117	MPE	2008/04/29	X±2'		O.XXX±0.1	scale 1:5				size A3	
D	EXLXI-I-15204	AB	2013/07/11	dr	GOISNARD	2006/01/12					type CUSTOMER Drawing	
				engr	ALIAS.BABU	2013/07/11						
				chr	MITHUN.PAUL	2013/07/11						
				appd	BIJU.K.PAUL	2013/07/11						
sheet index	revision sheet	D	1									