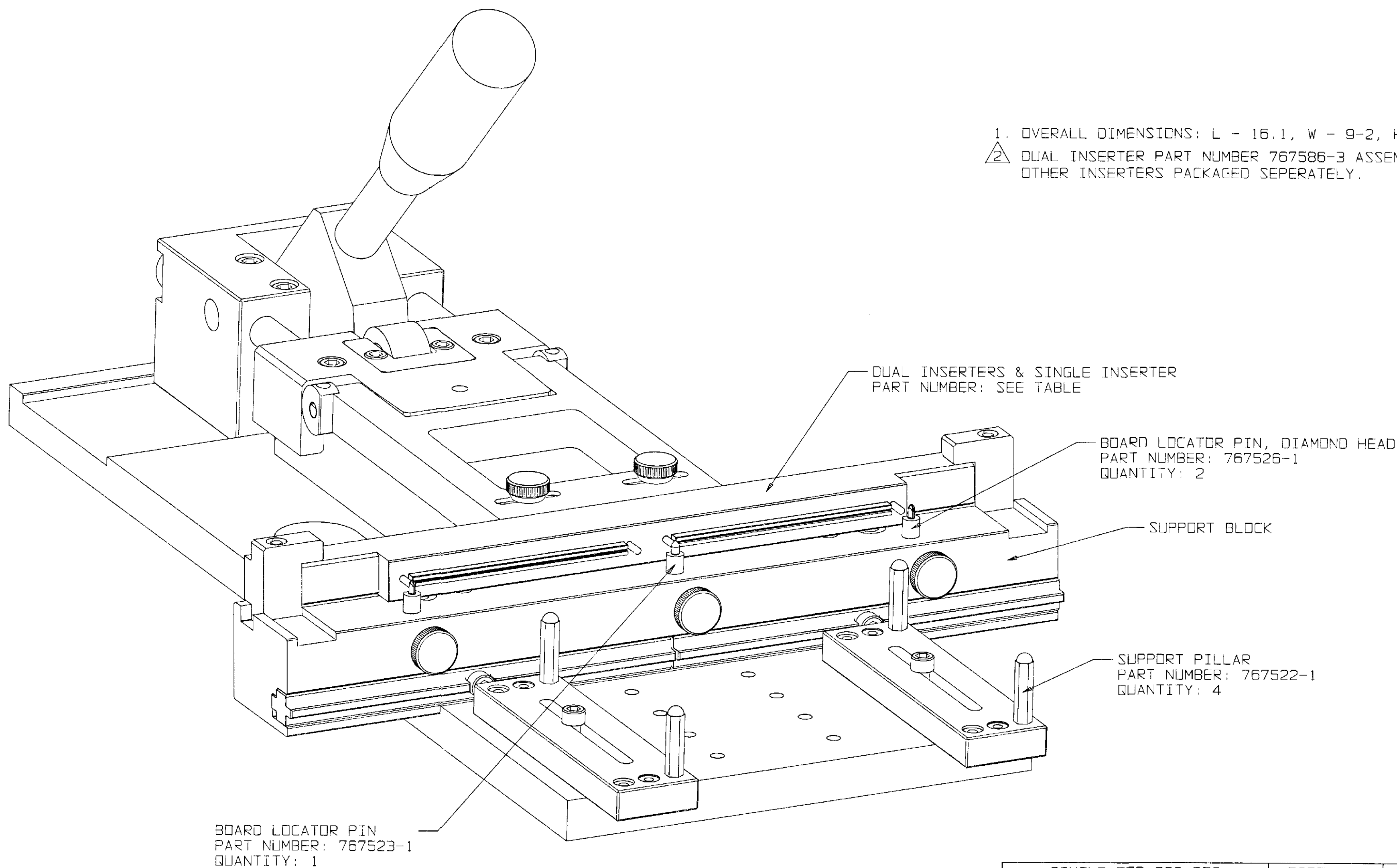


THIS DRAWING IS UNPUBLISHED. RELEASED FOR PUBLICATION .19  
 © COPYRIGHT 19 BY AMP INCORPORATED. ALL RIGHTS RESERVED.

LOC	DIST	REVISIONS					
		P	LTR	DESCRIPTION	DATE	DWN	APVD
AD	47			RELEASED	6-13-97	JG	DM



DESCRIPTION	PART NUMBER	PART NUMBER
SINGLE FOR 228 POS	767591-1	767590-1
DUAL FOR 228 POS, 3.606 CL	767586-4	
DUAL FOR 190 POS, 3.106 CL	767586-3	
INSERTERS 2		

THIS DRAWING IS A CONTROLLED DOCUMENT.		DWN J. GERACE 6-13-97	AMP Incorporated Harrisburg, PA 17105-3608
DIMENSIONS: INCHES		CHK D. MCKNIGHT 6-13-97	
TOLERANCES UNLESS OTHERWISE SPECIFIED: 0 PLC ±. 1 PLC ±. 2 PLC ±. 3 PLC ±. 4 PLC ±. ANGLES ±.		APVD A. MONK 6-13-97	
MATERIAL		PRODUCT SPEC -	CUSTOM APPLICATION TOOL, RIGHT ANGLE CONNECTOR, MICTOR
FINISH		APPLICATION SPEC -	
		WEIGHT -	SIZE A2 CAGE CODE 00779 DRAWING NO. C-767590
		CUSTOMER DRAWING	SCALE - SHEET 1 OF 1 REV 0