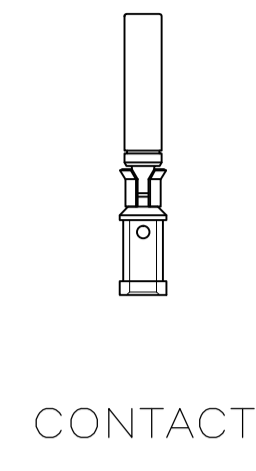
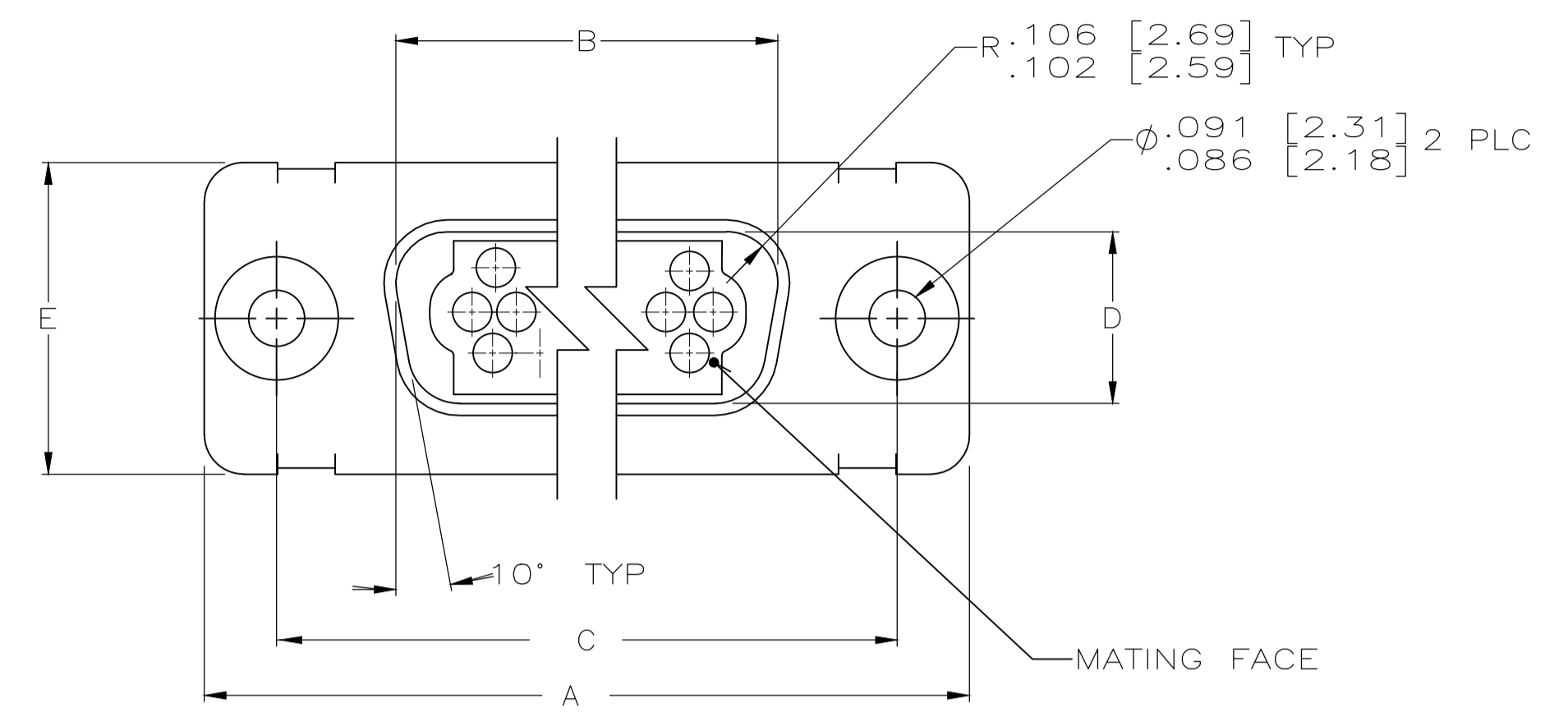
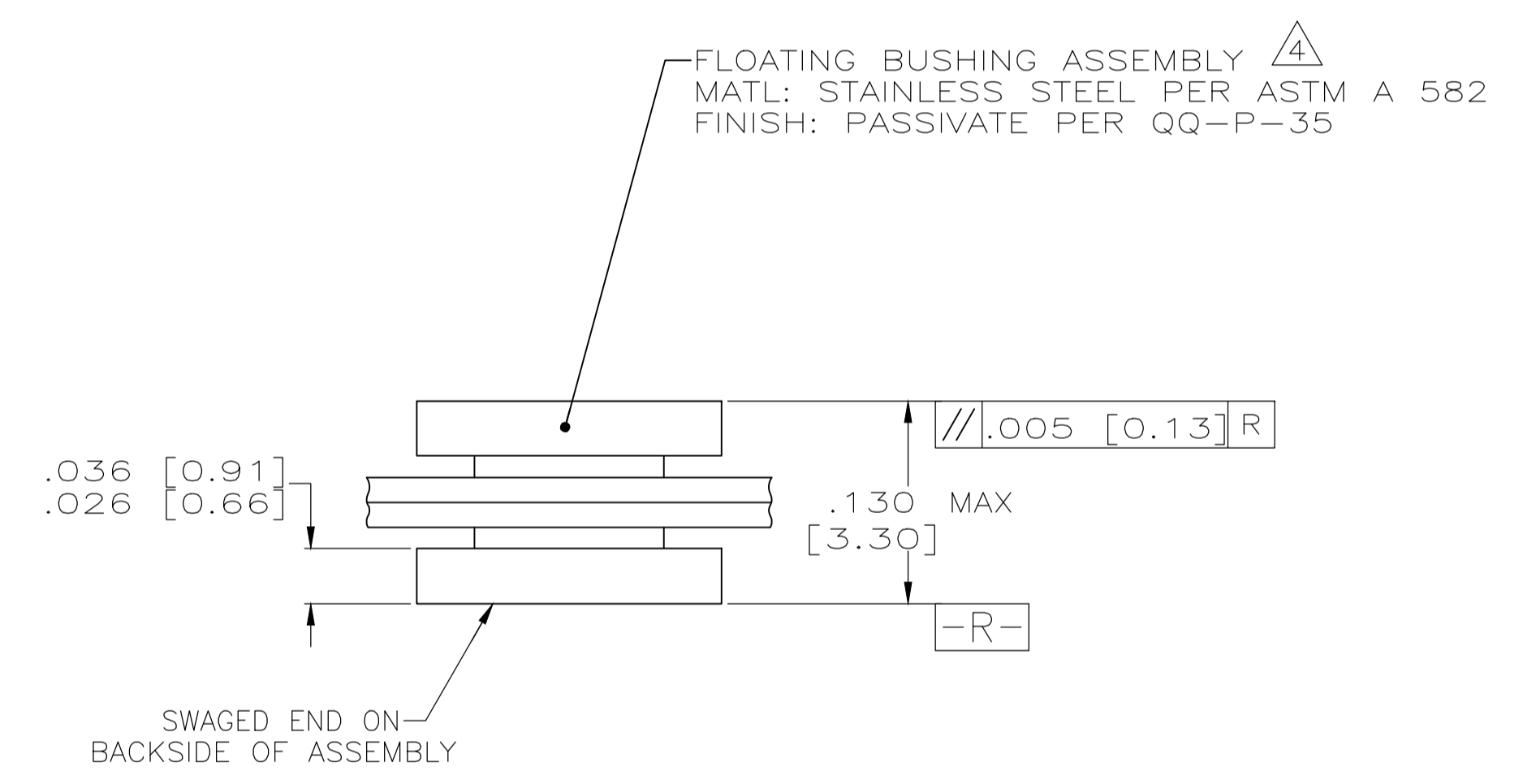
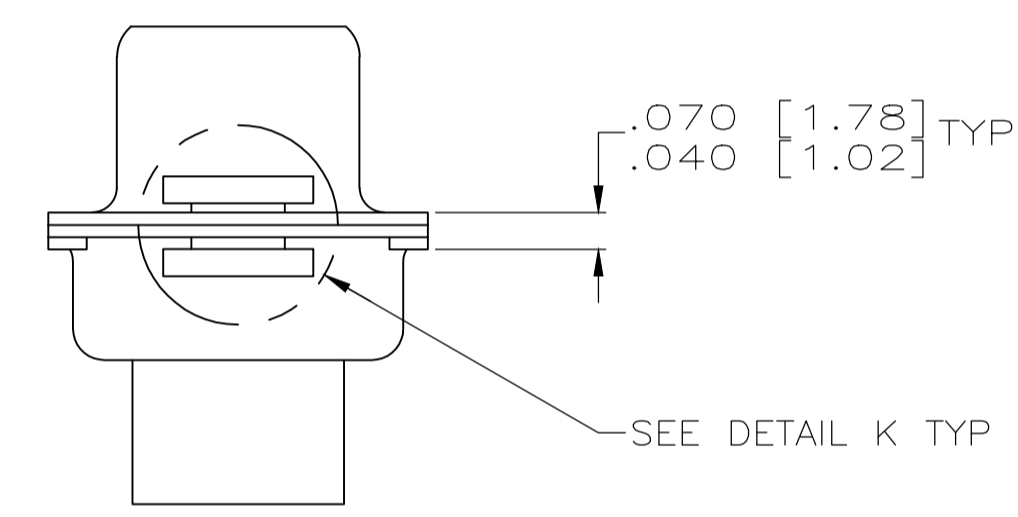
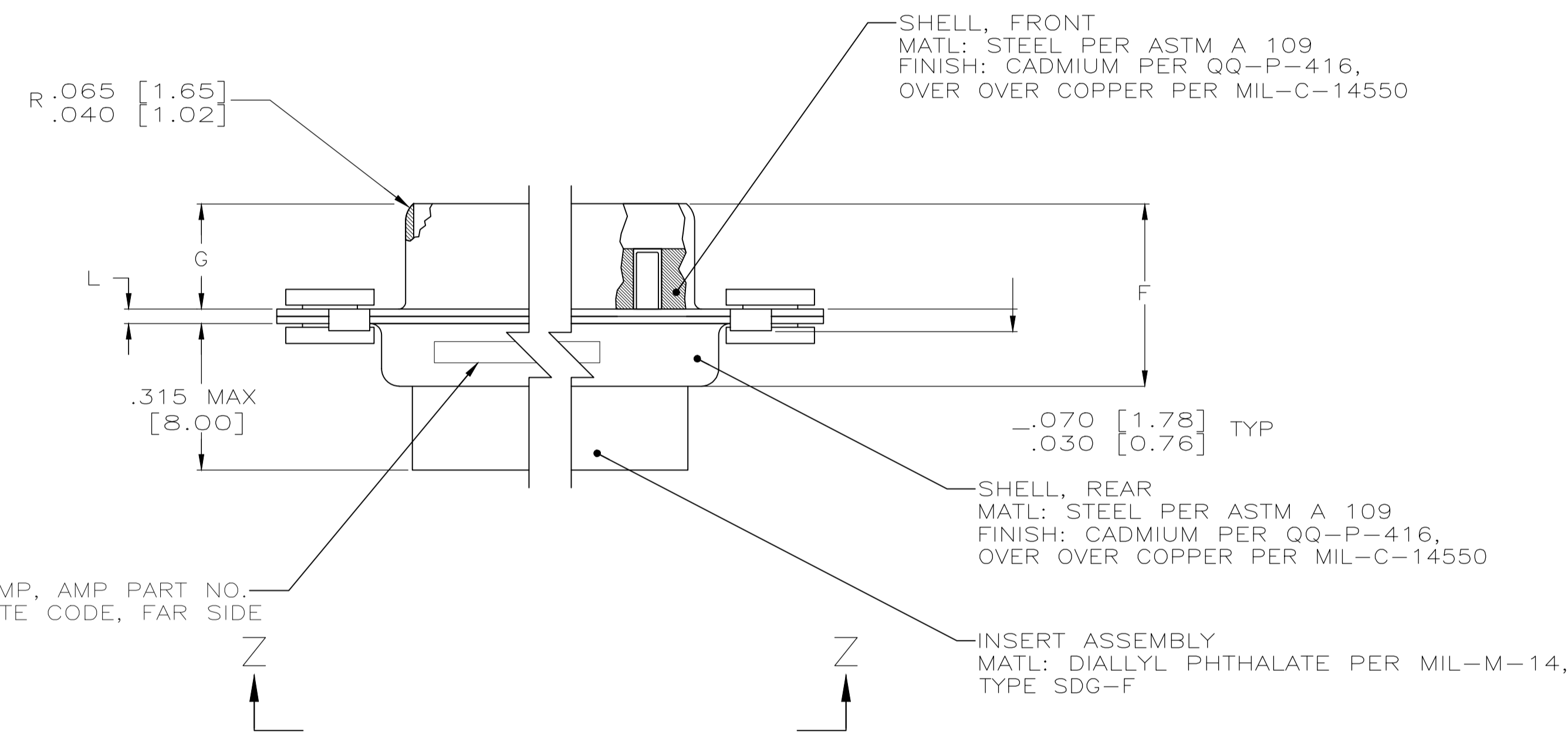


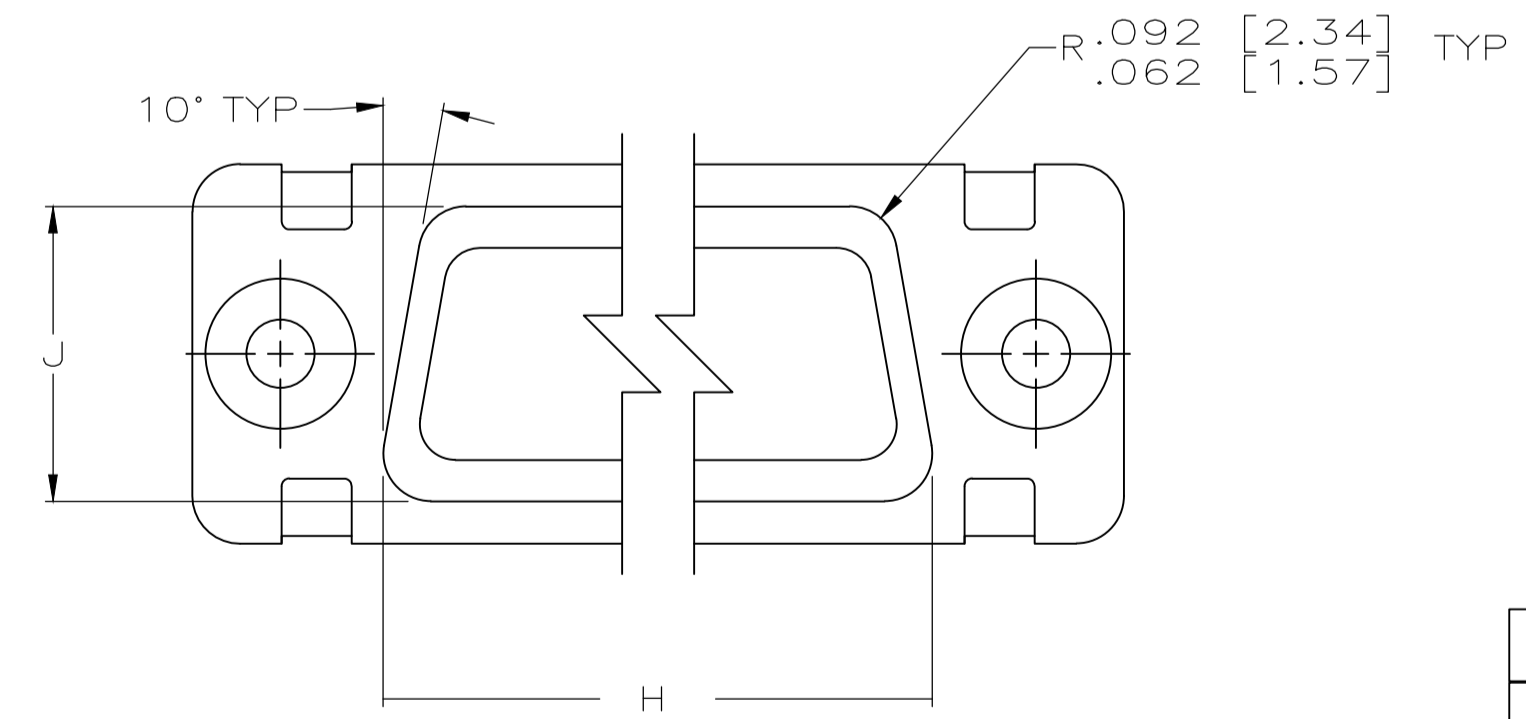
LOC		DIST		REVISIONS			
P	LTR	DESCRIPTION	DATE	DWN	APVD		
E		REVISED PER ECO-15-015047	26OCT15	RS	CT		



- DIMENSIONS AND TOLERANCES PER ANSI Y14.5M-1982.
- SEE SHEET 2 FOR INSERT ARRANGEMENTS.
- MARK WITH .047 [1.19]-.062 [1.57] HIGH CHARACTERS. FAR SIDE REFERS TO THE WIDE SIDE OF THE KEYSTONE. NEAR SIDE REFERS TO THE NARROW SIDE OF THE KEYSTONE. MARK SIZE 1 AND SIZE 2 SHELLS AS FOLLOWS:
 - "AMP" AND DATE CODE ON FRONT SHELL, FAR SIDE.
 - AMP PART NUMBER ON REAR SHELL, FAR SIDE.
- FLOAT SPECIFICATIONS ARE .004 [0.10]-.012 [0.30] VERTICALLY AND .026 [0.66]-.036 [0.91] HORIZONTALLY.



MARK AMP, AMP PART NO. AND DATE CODE, FAR SIDE



OBSOLETE		.544 [13.82]	2.188 [55.58]			.620 [15.75]	.446 [11.33]	2.411 [61.24]	2.084 [52.93]	2.650 [67.31]	100	5	593213-5
OBSOLETE	.049 [1.24]	.524 [13.31]	2.282 [57.96]	.236 [5.99]	.436 [11.07]	.590 [14.99]	.436 [11.07]	2.401 [60.99]	2.074 [52.68]	2.620 [66.55]	79	4	593213-4
OBSOLETE	.029 [0.74]		2.262 [57.45]	.224 [5.69]	.416 [10.57]			2.505 [63.63]	2.187 [55.55]	2.744 [69.70]	52	3	593213-3
		.432 [10.97]	1.635 [41.53]			.509 [12.93]	.334 [8.48]	1.857 [47.17]	1.539 [39.09]	2.103 [53.42]	31	2	593213-2
	.040 [1.02]	.412 [10.46]	1.615 [41.02]			.479 [12.17]	.324 [8.23]	2.495 [63.37]	2.177 [55.30]	2.714 [68.94]	19	1	593213-1
	.020 [0.51]		1.093 [27.76]	.241 [6.12]	.432 [10.97]			1.847 [46.91]	1.529 [38.84]	2.073 [52.65]			
			1.073 [27.25]	.229 [5.82]	.412 [10.46]			1.317 [33.45]	.999 [25.37]	1.556 [39.52]			
			.769 [19.53]					1.307 [33.20]	.989 [25.12]	1.526 [38.76]			
			.749 [19.02]					.989 [25.12]	.671 [17.04]	1.228 [31.19]			
								.979 [24.87]	.661 [16.79]	1.198 [30.43]			
	L	J	H	G	F	E	D	C	B	A	NO OF POS	SHELL SIZE	PART NUMBER

DETAIL K SCALE 10:1

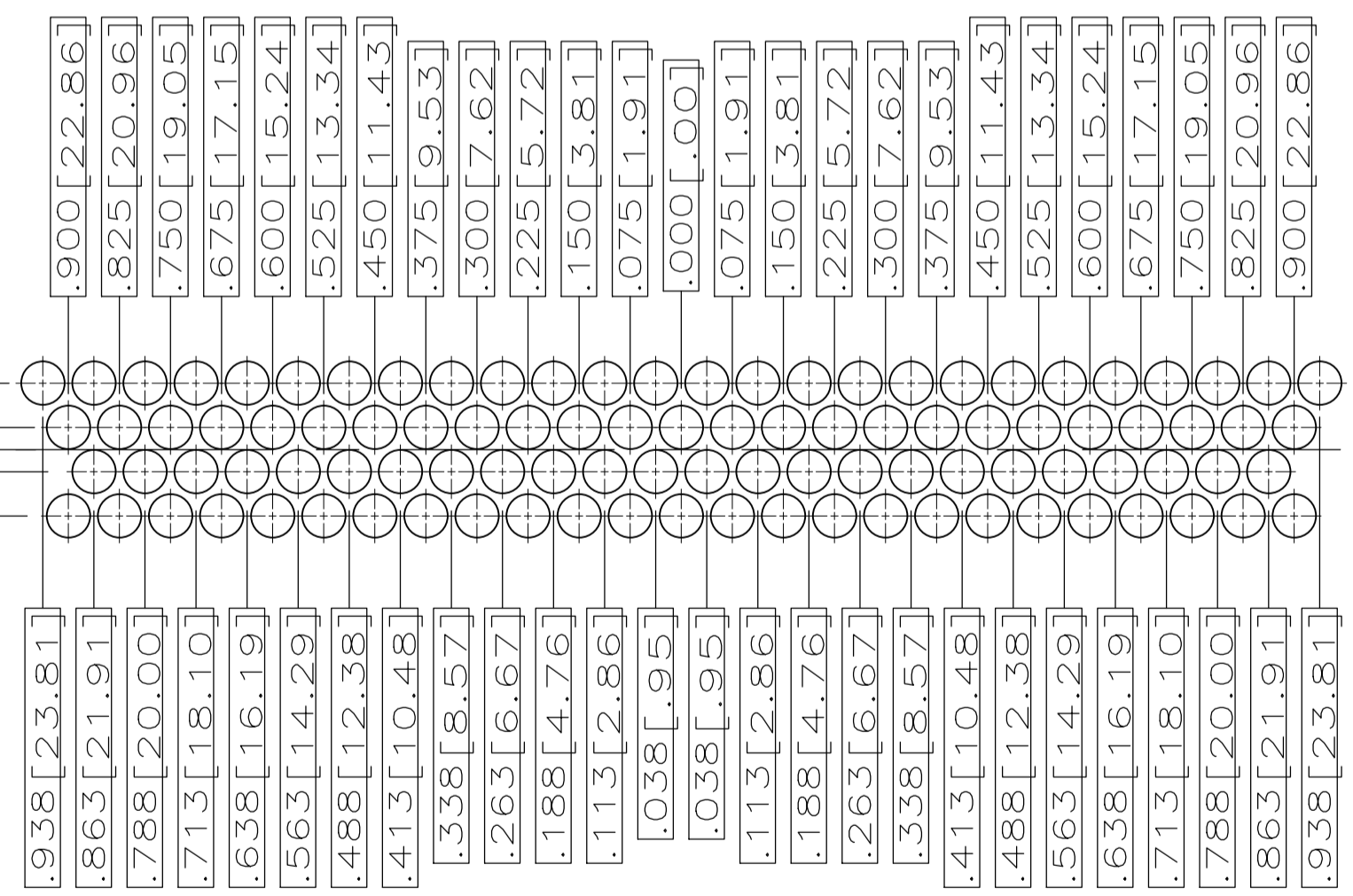
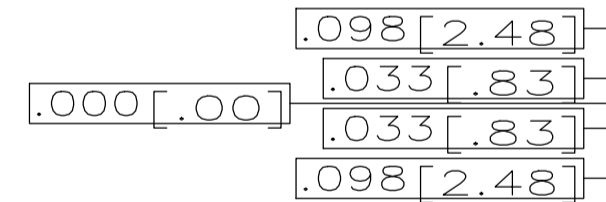
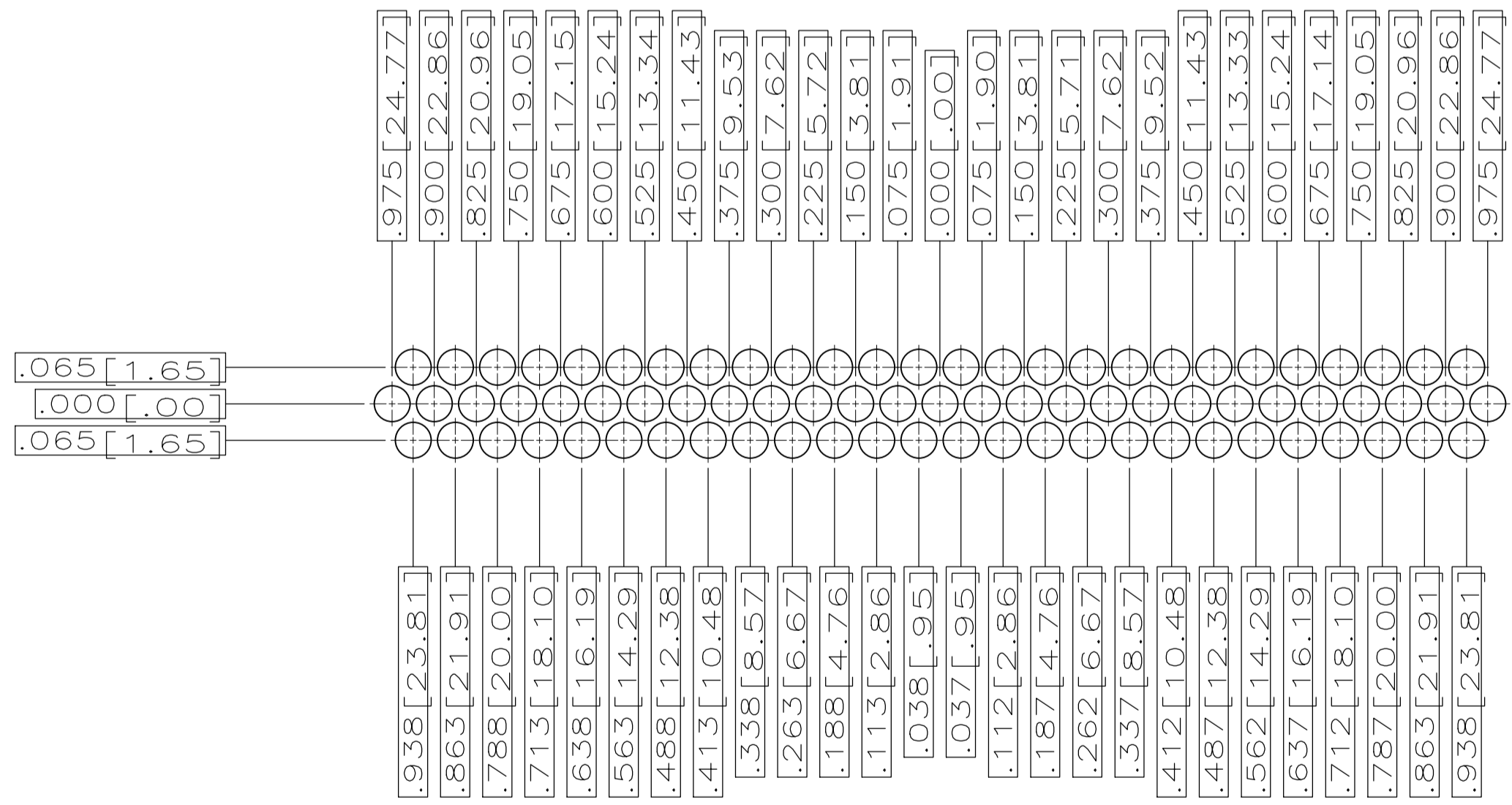
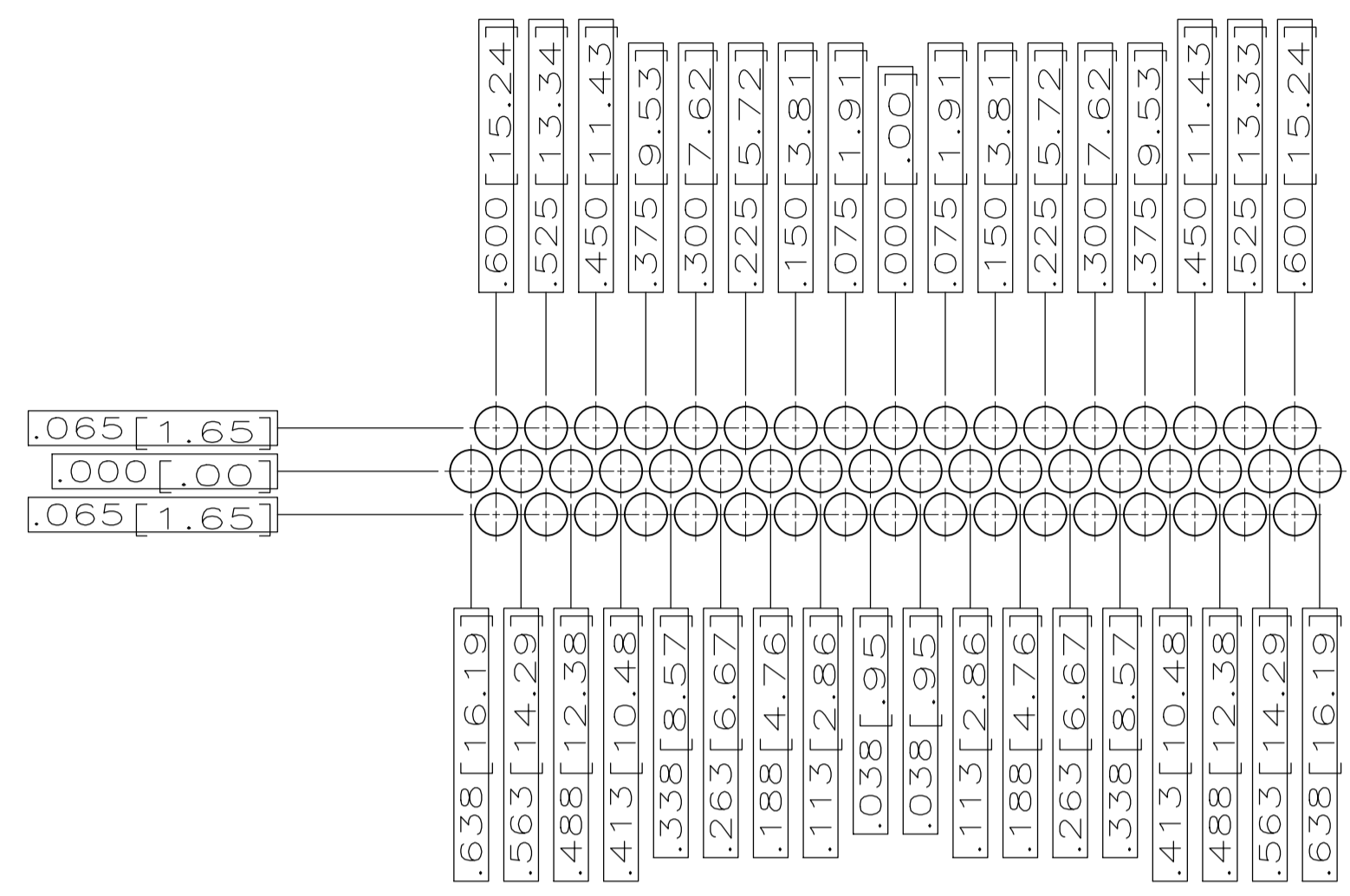
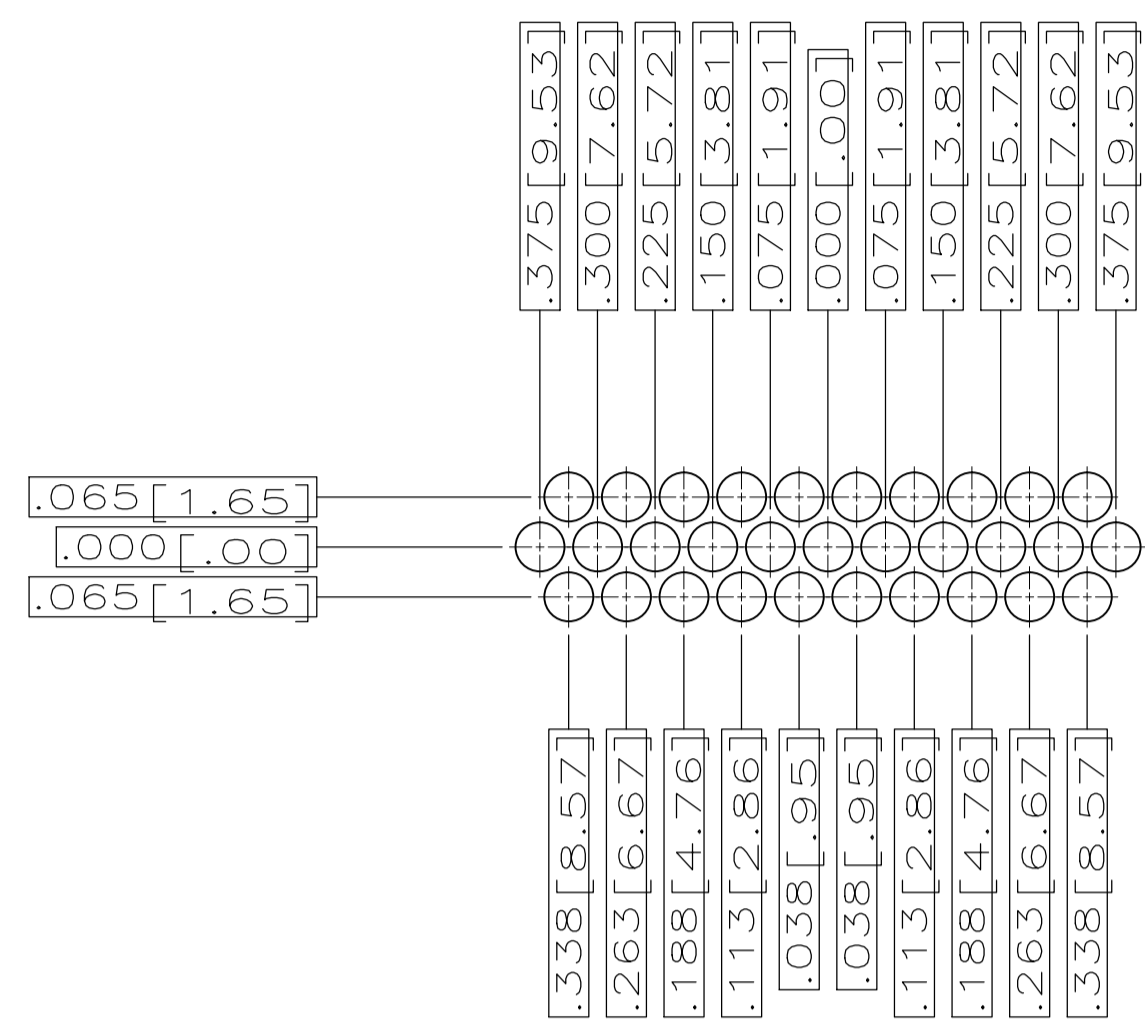
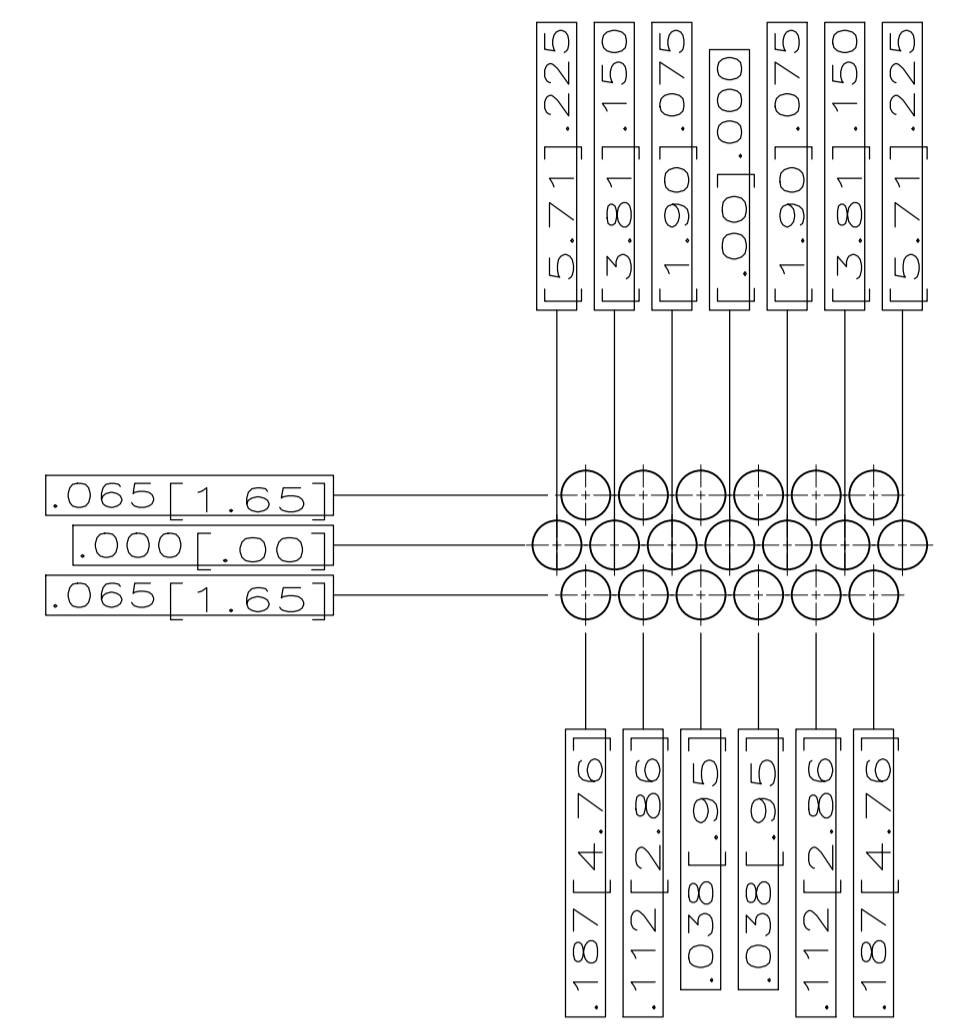
THIS DRAWING IS A CONTROLLED DOCUMENT.

DIMENSIONS: mm [INCHES]	TOLERANCES UNLESS OTHERWISE SPECIFIED:	DWN J.A. BAKER 09-09-95	APVD G. BIXLER 10-4-95	NAME
0 PLC ± -	1 PLC ± -	2 PLC ± -	3 PLC ± -	4 PLC ± -
ANGLES ± ± -				
MATERIAL	FINISH	WEIGHT	SIZE	CAGE CODE
			A1	00779
CUSTOMER DRAWING		SCALE 1:1	SHEET 1 OF 2	REV E

STE TE Connectivity

DOUBLE DENSITY RECEIPT ASSY WITH SIZE 22 CRIMP TYPE CONTACTS, SHELL SIZES 1 THRU 5

DRAWING NO. 593213



THIS DRAWING IS A CONTROLLED DOCUMENT.		DIN	J.A.Baker	09-09-95
DIMENSIONS: mm [INCHES]		CHK	G.BIXLER	10-4-95
TOLERANCES UNLESS OTHERWISE SPECIFIED:		APVD	G.BIXLER	10-4-95
0 PLC 1 PLC 2 PLC 3 PLC 4 PLC FINISH		NAME	INSERT ARRANGEMENTS FOR DOUBLE DENSITY RECEPTACLE ASSY.	
MATERIAL		APPLICATION SPEC	SIZE	A1
FINISH		WEIGHT	CAGE CODE	00779
		CUSTOMER DRAWING	DRAWING NO	593213
		SCALE	4:1	SHEET 2 OF 2
		REV	E	

