



Plug-in Relay Receiver

902 MHz
E9X-R12GP
E9X-R12GP-Z (High Power)

315 MHz
E3X-R12GP
E3X-R12GP-Z (High Power)

The wirelessly controlled ILLUMRA Relay Receiver responds to compatible ILLUMRA wireless light switches and transmitters to provide ON/OFF control of lights and other plug-in devices.

The receiver may optionally be used to control electrical loads using signals from wireless occupancy sensors.

Easy-To-Use

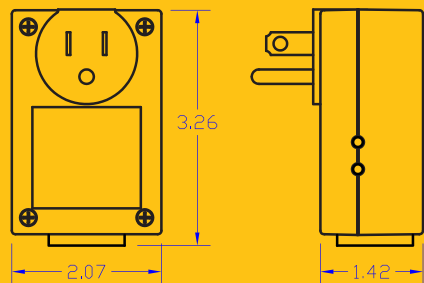
- Plugs into any 120V outlet
- Fast, simple programming
- Requires no switch-leg wires
- ON/OFF control of lights and devices

Reliable Range

- 50 to 150 foot range (typical)
- Compatible with all ILLUMRA switches
- Error checking ensures response only to appropriate wireless switches
- A single transmitter can control unlimited receivers within range
- Repeaters available for added range

Save Energy, Time, and Money

Avoid costly and time-consuming installation of hardwire switches, and conserve energy and save money by choosing ILLUMRA switches, sensors and receivers!



ILLUMRA
Lindon, UT 84042

T: (801) 349-1200
Sales@ILLUMRA.com
Info@ILLUMRA.com
www.ILLUMRA.com



Simple Wireless Control Systems

- Lamps
- Outdoor Lighting
- Manual or automatic ON/OFF control w/ Motion Sensor

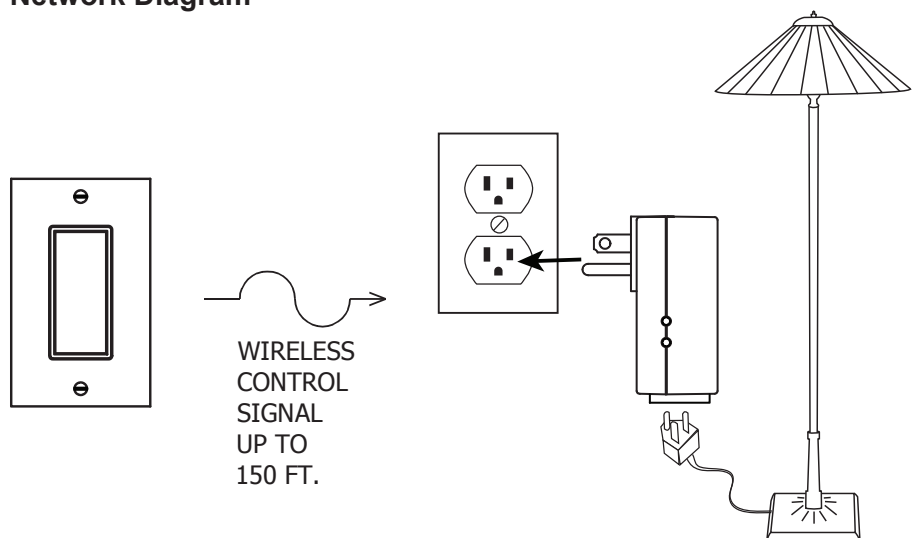
Control The Way You Want It

Control the ILLUMRA Relay Receiver with a variety of devices:

- Self-powered wireless light switches
- Wireless occupancy sensors
- SLT sensors
- Gateway control

	E3X-R12GP E9X-R12GP	E3X-R12GP-Z E9X-R12GP-Z
Range	50-150 feet (typical)	
Frequency	315 or 902 MHz	
Power Supply Input Rating	120VAC 50 / 60 Hz	
Output Rating		
General	6A	15A
Ballast	3A	15A
Tungsten	500W	1800W
Motor	N/A	1/2 HP
Memory	Stores up to 25 unique transmitter IDs	
Operating Temperature	-13° to +140°F (-25° to +60°C)	
Storage Temperature	-40° to +140°F (-40° to +60°C)	
Dimensions	3.26 x 2.07 x 1.42 inches (82 x 53 x 36 mm)	
Radio Certification	FCC (United States) I.C. (Canada)	
Safety Approval	ETL (United States): UL244A ETL (Canada): CSAc22.2#14-05	

Network Diagram



This device or certain aspects thereof is protected by at least one U.S. or international patent or has at least one such patent application pending.



ILLUMRA is a trademark of Ad Hoc Electronics, L.L.C. Other trademarks herein are the property of their respective owners.

AHD0242C