

PRODUCT NUMBER
75168-YXX-XXLF

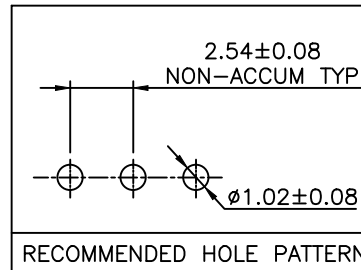
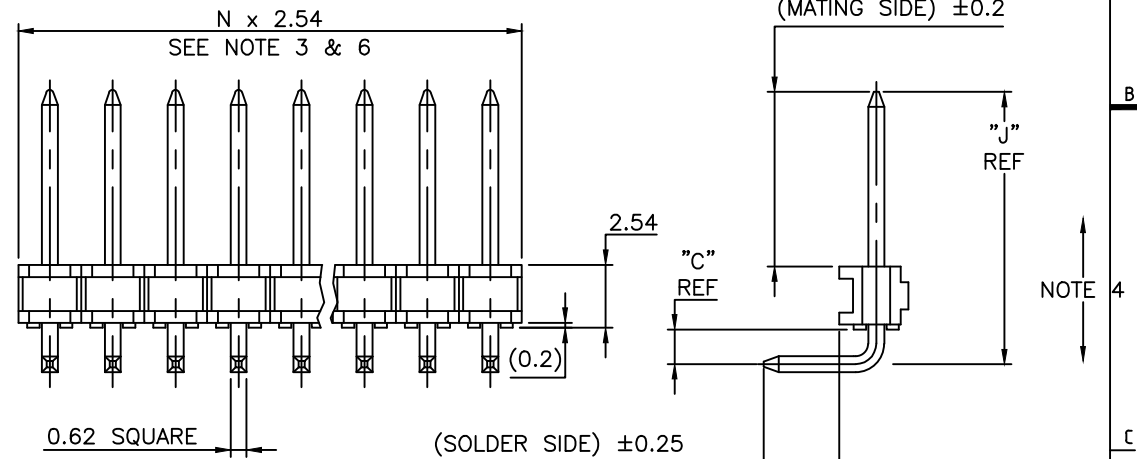
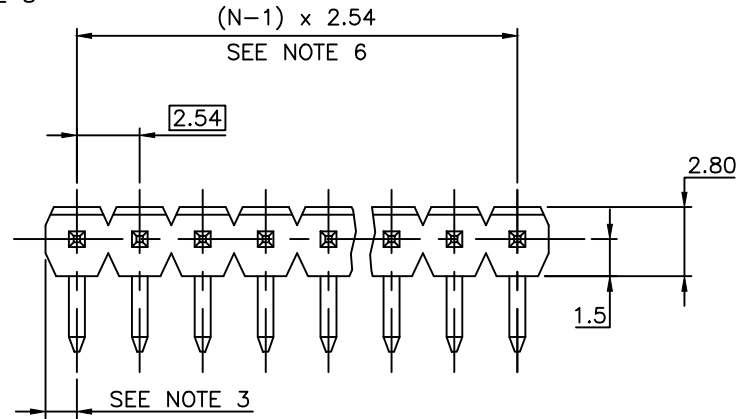
RoHS COMPLIANT & COMPATIBLE, SEE NOTE 8
TOTAL NB OF POSITIONS 02 TO 36
PIN STYLE SEE SHEET 2

PLATING:

- 1 = 0.76µm FULL GOLD/GXT
- 3 = 2µm MIN MATTE TIN FULL PLATED
- 8 = 0.38µm FULL GOLD/GXT
- 1.27µm Ni MIN UNDERPLATING

NOTES:

1. HOUSING MAT'L : HIGH TEMPERATURE THERMOPLASTIC FLAME RETARDANT PER UL94-V0, COLOR BLACK.
2. PIN MATERIAL : PHOSPHOR BRONZE.
3. DIM 1.27^{+0.03}/_{-0.03} FOR MOULDED SIDE(S) ONLY. IF SIDE(S) ARE BROKEN, DIM 1.02 TO 1.7 MAX APPLIES.
4. PIN PUSH OUT FORCE : 12N MIN.
5. PRODUCT PACKAGED IN POLY BAGS.
6. TO DETERMINE DIMENSIONS :
N = NUMBER OF POSITIONS
EXAMPLE : 8 POS N x 2.54 = 20.32mm
7. FOR STANDARD SELECTIVE GOLD PLATED PRODUCTS, SEE DRAWING 77315.
8. RoHS COMPATIBLE PRODUCT SPECIFICATIONS
 - a - "LF" MEANS THE PRODUCT IS LEAD-FREE
 - b - MANUFACTURING PROCESS COMPATIBILITY
 - THE HOUSING WILL WITHSTAND EXPOSURE TO 260°C ±5°C SOLDER BATH TEMPERATURE FOR 5 SECONDS IN A WAVE SOLDER APPLICATION WITH A 1.6mm MIN THICK CIRCUIT BOARD.
 - c - LABELING:
 - MEETS PACKAGING SPECS AS PER GS-14-920
 - d - LEGAL STATEMENT: SEE GS-47-0004



mat'l. code SEE NOTE 1		surface ISO 1302 ✓ ISO 406 ISO 1101		projection mm	product family BSTIK
lfr ecn no dr date		tolerances unless otherwise specified		title HEADER, SR, RA, POL, 2.54mm	
AG F06-0196	LMU 06.06.20	angles	.x ±0.3	scale 5:1	
AH F08-0148	JCO 08.05.27	Linear	.xx ±0.15		
AJ F12-0042	LMU 12.04.04		xxx ±0.05		
AK F12-0802	LMU 12.10.25	dr	MULIN L 99.03.29		
AL B-19261	LMU 14.10.31	enfr	JMC 99.03.29	dwg no 75168 sheet 1 of 2 size A3	
AF F05-0186	LMU 05.05.02	chr	JMC 99.03.29	type CUSTOMER Drawing	
sheet index	revision sheet	AL 1	AG 2		

APPLICATION SPECIFIC				
PIN	STYLE	MATING	SOLDER	"C" "J"
01		5.72	2.57	1.4 9.65
02		5.72	5.11	1.4 9.65
03		5.72	7.65	1.4 9.65
04		5.72	10.19	1.4 9.65
05		5.72	12.73	1.4 9.65
06		5.72	15.27	1.4 9.65
07		5.72	5.11	3.94 12.19
08		5.72	7.65	3.94 12.19
09		5.72	10.19	3.94 12.19
10		5.72	12.73	3.94 12.19
11		5.72	15.27	3.94 12.19
13		5.72	3.45	1.4 9.65
14		5.72	5.99	3.94 12.19
15		5.72	8.53	6.48 14.73
16		8.51	3	1.4 12.45
17		8.51	5.54	3.94 14.99
19		5.72	3.05	1.4 9.66
20		5.84	2.29	1.4 9.78
21		5.72	11.07	9.02 17.27
22		11.71	3.2	1.4 15.65
23		3	2.94	1.94 7.44
24		4.8	6.16	1.94 9.28
27		3.55	3.3	1.4 7.49
28		10	3.2	1.4 13.94
29		7.30	7.30	1.4 11.24
30		8.10	12.50	1.4 12.04
31		6.70	3.00	1.4 10.64



FCIconnect.com

Copyright FCI

mat'l. code		SEE SHEET 1		surface		ISO 1302 <input checked="" type="checkbox"/> ISO 406 ISO 1101		tolerance		projection		product family	
ltr		ecn no		dr		date		tolerances unless otherwise specified		mm		title	
AG		F12-0802		LMU		12.10.25		angles		linear		HEADER,SR,RA, POL,2.54mm	
AB		F00196		LMU		00.04.19		linear		scale		sheet 2 of - size	
AC		F10167		LMU		01.03.12		dr		MULIN L		99.03.29	
AD		F20116		DLE		02.01.15		enrg		JMC		99.03.29	
AE		F06-0196		LMU		06.06.20		chr		FCI		75168 A3	
AF		F12-0042		LMU		12.04.04		appd		JMC		99.03.29	
sheet		revision		sheet								type CUSTOMER Drawing	
index													