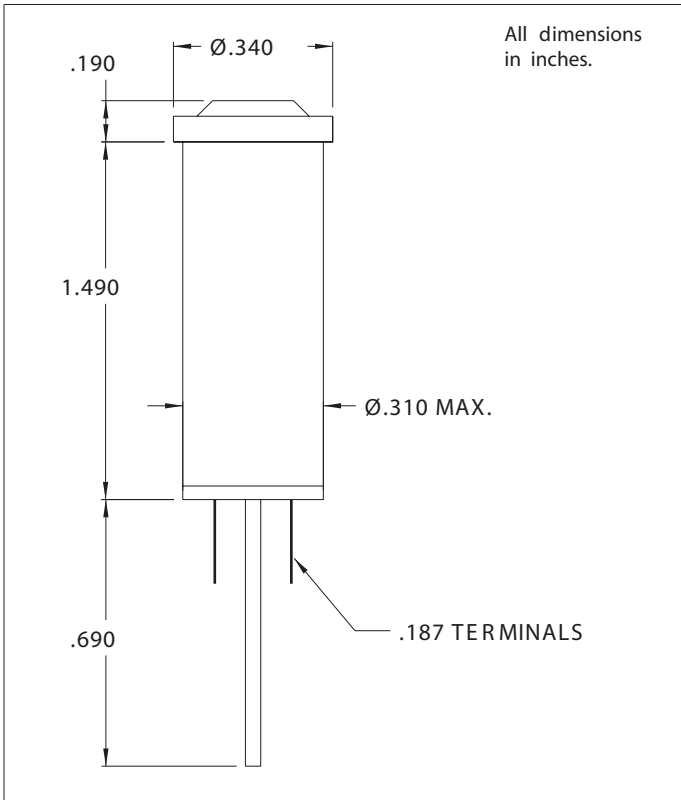


2110QA, 2111QA, 2112QA, 2113QA Series Non-Relampable Neon Indicator Lights

Description and Features



Mounting: Ø.310 MIN., supplied with push-on speednut SN1287.

Terminals: Quick-connect, tinned brass, .187 x .020

Lens: Polycarbonate

Bezel: White nylon.

Housing: White Nylon

| Lens Color | Neon | |
|------------|---------------------------|---------------------------|
| | Model No. (105-125VAC) | Model No. (208-250VAC) |
| Red | 2110QA1 | 2111QA1 |
| Clear | 2110QA2 | - |
| Amber | 2110QA3 | - |
| White | 2110QA4 | 2111QA4 |
| Green | 2112QA5* | 2113QA5* |
| Lamp | C2A+Resistor | C2A+Resistor |

* Incorporates G2B lamp and resistor.
Underwriters Laboratories (UL) File No. E20356