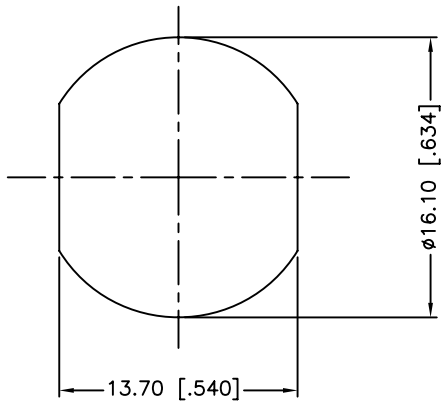
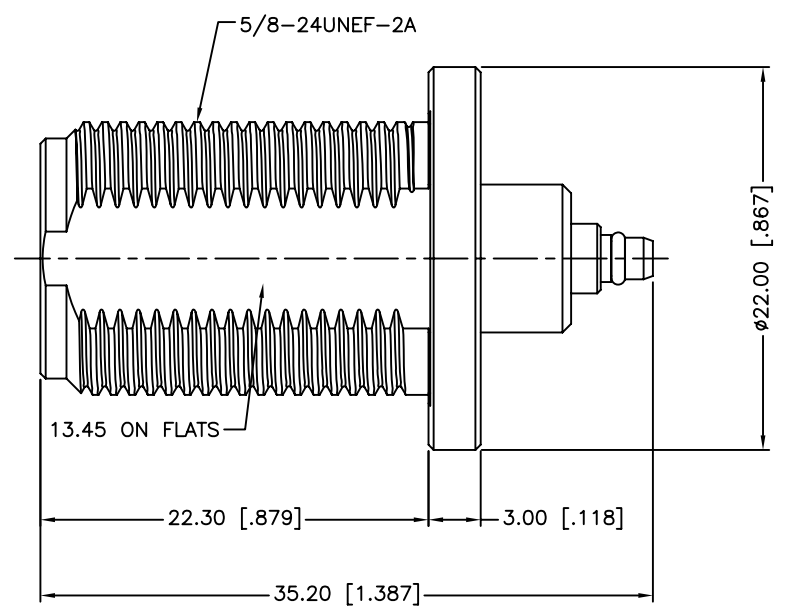
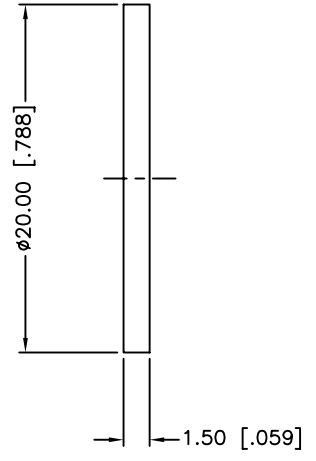
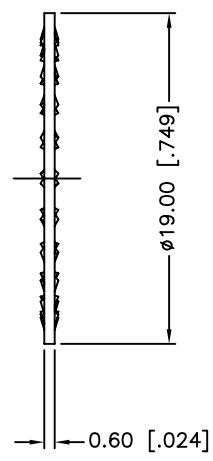
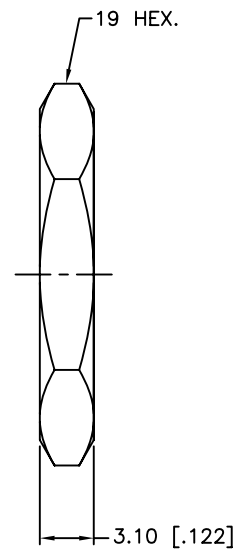


REV.	DATE	ECR NO.	DESCRIPTION
NC	10/12/10	XXXXXX	INITIAL RELEASE



RECOMMENDED MOUNTING HOLE



1. FREQUENCY RANGE: DC 0-6 GHz
2. VSWR (RETURN LOSS): 1.22 (20 dB) MAX.
3. MAX. PANEL THICKNESS= 6.8mm

9	HEX NUT	BRASS	NICKEL	1
8	LOCK WASHER	BRASS	NICKEL	1
7	GASKET	SILICONE	RED	1
6	CONTACT PIN	BER. COPPER	GOLD	1
5	HOUSING	BRASS	NICKEL	1
4	INSULATOR	PTFE	NATURAL	1
3	INSULATOR	PTFE	NATURAL	1
2	BODY	BRASS	GOLD	1
1	RETAINER RING	BER. COPPER	GOLD	1
	DESCRIPTION	MATERIAL	FINISH	QTY

UNLESS OTHERWISE SPECIFIED DIMENSIONS ARE IN MILLIMETERS. DIMENSIONS IN [ ] ARE IN INCHES AND FOR CUSTOMER REFERENCE ONLY.

UNLESS OTHERWISE SPECIFIED TOLERANCES FOR MILLIMETERS ARE:  
0.5 - 8mm ± 0.20mm  
8 - 30mm ± 0.40mm  
30 - 120mm ± 0.50mm

UNLESS OTHERWISE SPECIFIED TOLERANCES FOR INCHES ARE:  
.020 - .315 = ± 0.007"  
.315 - 1.180 = ± 0.015"  
1.180 - 4.724 = ± 0.020"

DO NOT SCALE DRAWING

APPROVALS		DATE
DRAWN	M.ZHANG	10/12/10
CHECKED		
ISSUED		
SHEET	1 OF 1	
CAD FILE	C:/CONNEX/242249.DWG	

**Amphenol Connex**

PART DESCRIPTION  
**N BULKHEAD JACK TO MMCX PLUG ADAPTOR**

PART NO.  
**242249**

DWG. NO.	242249.DWG	REV.	NC	SIZE	A	SCALE	NA
----------	------------	------	----	------	---	-------	----