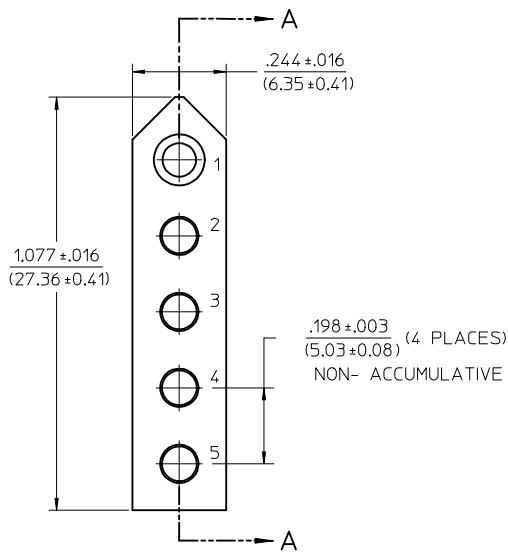
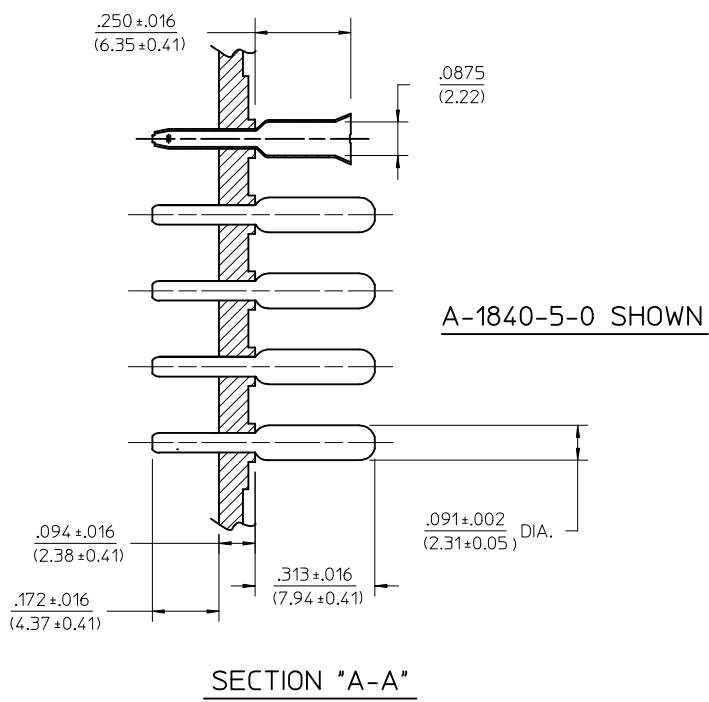
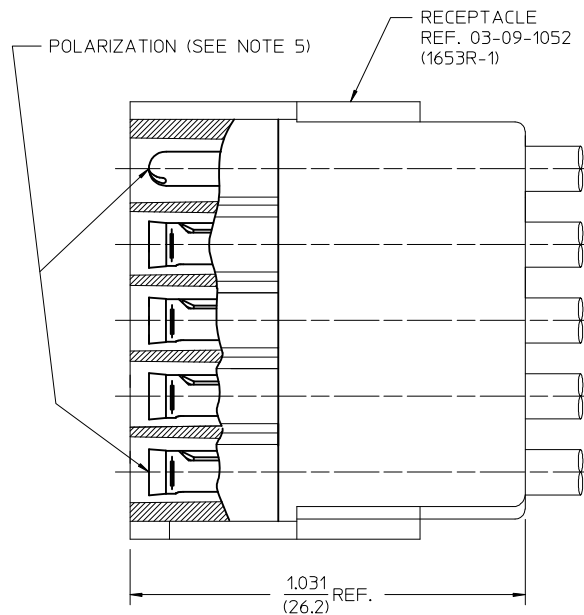
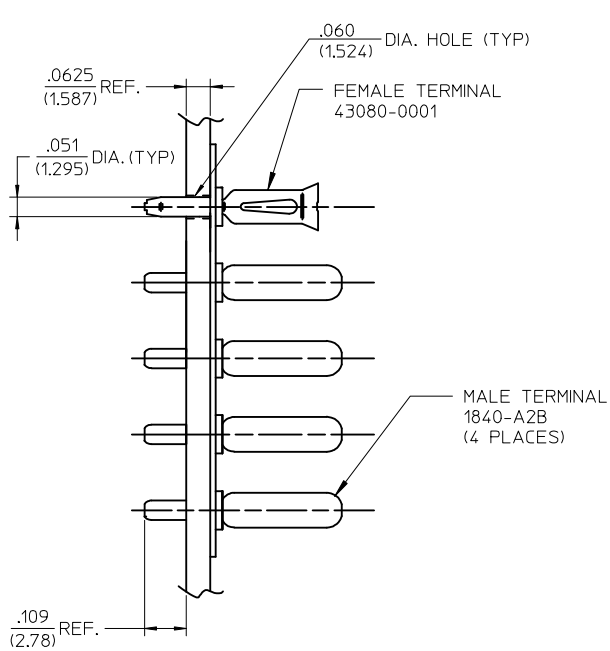


- NOTES:
- MATERIAL:  
BASE AND RECEPTACLE: NYLON PA66 PER 68200-0037, UL94V-2,  
COLOR: NATURAL  
TERMINALS: MALE - C26000 ALLOY BRASS  
FEMALE - C51000 PHOS. BRONZE
  - FINISH:  
999 - UNPLATED  
102 - (MALE TERMINALS ONLY)  
.000200/0.00508 MIN. TIN OVER  
.000100/0.00254 MIN. COPPER  
126 - (FEMALE TERMINALS ONLY)  
.000050/0.00127 MIN. TIN  
.000050/0.00127 MIN. NICKEL
  - PRODUCT SPECIFICATION: N/A
  - PACKAGING SPECIFICATION: PK-1840-001
  - POLARIZATION ACCOMPLISHED THROUGH AN INTER-MIX OF MALE AND FEMALE TERMINALS. (MOLEX .093 TERMINALS)
  - TERMINAL PATTERN CODE:  
M = MALE TERMINALS  
F = FEMALE TERMINALS  
B = NO TERMINALS

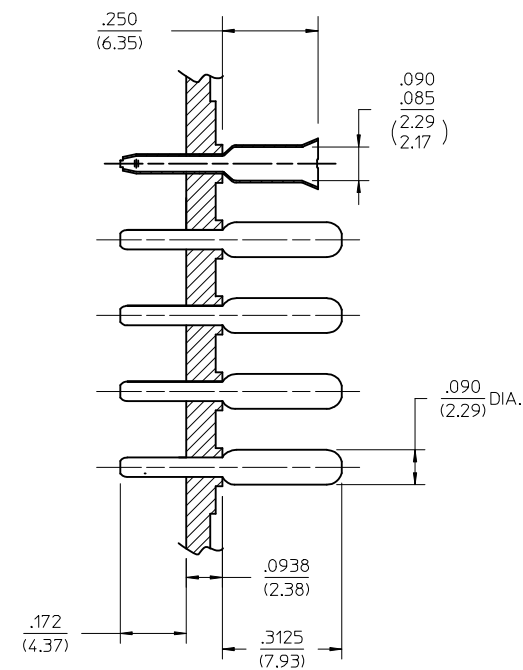


09-18-5950	A-1840-5-9	F	M	F	M	M
09-18-5954	A-1840-5-13	F	B	M	B	M
09-18-5059	A-1840-5-8	F	F	M	M	M
09-18-5058	A-1840-5-7	M	M	M	M	F
09-18-5051	A-1840-5-0	F	M	M	M	M
PART NO.	ENG. NO.	1	2	3	4	5
TERMINAL PATTERN						

<b>ADD PKG SPECS</b> EC NO: UCP2013-4695 DRW: NALHAG 2013/05/01 CHKD: JBELL 2013/05/01 APPR: FSMITH 2013/05/13	QUALITY SYMBOLS ∇=0 ∇=0 ∇=1	GENERAL TOLERANCES (UNLESS SPECIFIED) <table border="1"> <tr> <th></th> <th>mm</th> <th>INCH</th> </tr> <tr> <td>4 PLACES ±</td> <td>---</td> <td>---</td> </tr> <tr> <td>3 PLACES ±</td> <td>---</td> <td>±.005</td> </tr> <tr> <td>2 PLACES ±</td> <td>0.13</td> <td>±.010</td> </tr> <tr> <td>1 PLACE ±</td> <td>0.25</td> <td>±---</td> </tr> </table> ANGULAR ±1/2°		mm	INCH	4 PLACES ±	---	---	3 PLACES ±	---	±.005	2 PLACES ±	0.13	±.010	1 PLACE ±	0.25	±---	DIMENSION STYLE IN/MM	SCALE 4:1	DESIGN UNITS INCH	THIRD ANGLE PROJECTION
		mm	INCH																		
	4 PLACES ±	---	---																		
	3 PLACES ±	---	±.005																		
2 PLACES ±	0.13	±.010																			
1 PLACE ±	0.25	±---																			
DRAWN BY EWC	DATE 1974/04/30	CHECKED BY JBELL	DATE 2013/05/01	<b>CONNECTOR PC BOARD WAFERCON 5 CIRCUIT</b>																	
APPROVED BY FSMITH	DATE 2011/09/14	MATERIAL NO. <b>SEE CHART</b>					DOCUMENT NO. 1840-5-*	SHEET NO. 1 OF 1													
DRAFT WHERE APPLICABLE MUST REMAIN WITHIN DIMENSIONS																					
THIS DRAWING CONTAINS INFORMATION THAT IS PROPRIETARY TO MOLEX INCORPORATED AND SHOULD NOT BE USED WITHOUT WRITTEN PERMISSION																					

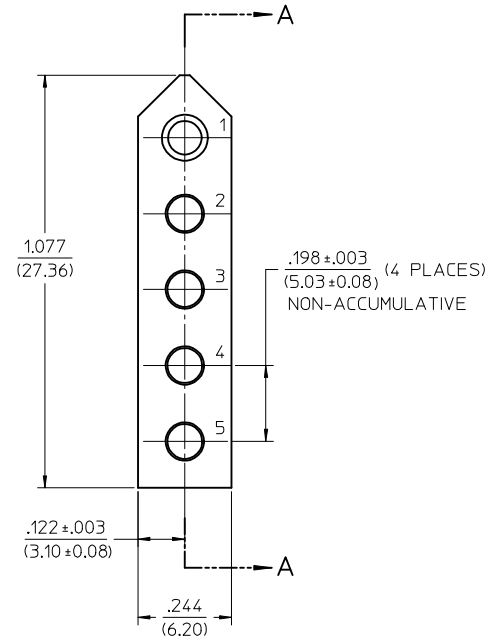


- NOTES:
- MATERIAL:  
 BASE AND RECEPTACLE: NYLON PA66, UL94V-0, COLOR: NATURAL  
 TERMINALS: MALE - BRASS ALLOY  
 FEMALE - PHOSPHOR BRONZE ALLOY
  - FINISH:  
 MALE TERMINALS: .000200/0.00508 MIN. TIN OVER  
 .000100/0.00254 MIN. COPPER  
 FEMALE TERMINALS: .000050/0.00127 MIN. TIN OVER  
 .000050/0.00127 MIN. NICKEL
  - PRODUCT SPECIFICATION: N/A
  - PACKAGING SPECIFICATION: PK-1840-001
  - POLARIZATION ACCOMPLISHED THROUGH AN INTER-MIX OF MALE AND FEMALE TERMINALS. (MOLEX .093 TERMINALS)
  - TERMINAL PATTERN CODE:  
 M = MALE TERMINALS  
 F = FEMALE TERMINALS  
 B = NO TERMINALS
  - PARTS TO BE MOUNTED ON SUPPORTED EDGE OF P.C. BOARD



SECTION "A-A"

A-1840-5-0 AS SHOWN



09-18-5950	A-1890-5-9	F	M	F	M	M
09-18-5954	A-1840-5-13	F	B	M	B	M
09-18-5059	A-1840-5-8	F	F	M	M	M
09-18-5058	A-1840-5-7	M	M	M	M	F
09-18-5051	A-1840-5-0	F	M	M	M	M
PART NO.	ENG. NO.	1	2	3	4	5

TERMINAL PATTERN

ADD PKG SPECS EC NO: UCP2013-4695 DRWN: AELHAG 2013/05/01 CHKD: JBELL 2013/05/01 APPR: FSMITH 2013/05/13	QUALITY SYMBOLS $\nabla = 0$ $\nabla = 0$ $\nabla = 0$	GENERAL TOLERANCES (UNLESS SPECIFIED) <table border="1"> <tr> <td></td> <td>mm</td> <td>INCH</td> </tr> <tr> <td>4 PLACES</td> <td>± .005</td> <td>± .0005</td> </tr> <tr> <td>3 PLACES</td> <td>± .01</td> <td>± .001</td> </tr> <tr> <td>2 PLACES</td> <td>± .13</td> <td>± .01</td> </tr> <tr> <td>1 PLACE</td> <td>± 0.25</td> <td>± .01</td> </tr> </table>		mm	INCH	4 PLACES	± .005	± .0005	3 PLACES	± .01	± .001	2 PLACES	± .13	± .01	1 PLACE	± 0.25	± .01	DIMENSION STYLE <b>IN/MM</b>	SCALE <b>4:1</b>	DESIGN UNITS <b>INCH</b>	THIRD ANGLE PROJECTION
		mm	INCH																		
	4 PLACES	± .005	± .0005																		
	3 PLACES	± .01	± .001																		
2 PLACES	± .13	± .01																			
1 PLACE	± 0.25	± .01																			
DRAWN BY EWC	DATE 1974/04/30	TITLE <b>CONNECTOR PC BOARD WAFERCON 5 CIRCUIT</b>																			
CHECKED BY JBELL	DATE 2013/05/01	<b>MOLEX INCORPORATED</b>																			
APPROVED BY FSMITH	DATE 2011/09/14	MATERIAL NO. <b>SEE CHART</b>	DOCUMENT NO. <b>SDA-1840-5-x</b>	SHEET NO. <b>1 OF 1</b>																	

DRAFT WHERE APPLICABLE MUST REMAIN WITHIN DIMENSIONS

THIS DRAWING CONTAINS INFORMATION THAT IS PROPRIETARY TO MOLEX INCORPORATED AND SHOULD NOT BE USED WITHOUT WRITTEN PERMISSION