

# FLUKE®

## ITP 120 Isolated Trigger Probe

### Instruction Sheet

#### Introduction

The ITP 120 is an optically isolated trigger probe for isolated trigger purposes with the Fluke 120 series ScopeMeter test tool.

#### Specifications

##### Probe Characteristics

Maximum floating voltage to ground: 600V

Maximum input voltage: 600V (with 600V Mini Testhook)

Maximum non-destructive input voltage times frequency:  $10^9$

Input resistance:  $10\text{ M}\Omega \pm 1\%$

Input capacitance:  $15\text{ pF} \pm 10\%$

Probe length: 1.2 m (48 inch)

##### Trigger Characteristics

Trigger level: TTL compatible (High  $\geq 2\text{V}$ , Low  $\leq 0.8\text{V}$ )

Minimum pulsewidth:  $7\text{ }\mu\text{s}$

Frequency range: DC to 50 kHz

Trigger slope selectable on the ScopeMeter test tool.

**Battery Type:** Alkaline 9 volt, NEDA, IEC6LR61

**Battery Life:** 60 hour operation

#### Environmental Specifications

Meet requirements of:

- MIL-T-28800E, Type III, Class 3
- EN 50081-1, Electromagnetic Compatibility Generic Emission Standard: EN55022 and EN60555-2
- EN 50082-1, Electromagnetic Compatibility Generic Immunity Standard: IEC801-2, -3, -4, -5

This product is in conformity with Electromagnetic Compatibility Directive 89/336/EEC, and Low Voltage Directive 73/23/EEC.

This conformity is indicated by the symbol **CE**, i.e. "Conformité européenne"

Temperature:

Operating:  $0\text{ }^\circ\text{C}$  to  $+50\text{ }^\circ\text{C}$  ( $32\text{ }^\circ\text{F}$  to  $+122\text{ }^\circ\text{F}$ )

Non-operating:  $-40\text{ }^\circ\text{C}$  to  $+70\text{ }^\circ\text{C}$  ( $-40\text{ }^\circ\text{F}$  to  $+158\text{ }^\circ\text{F}$ )

#### **⚠ Safety**

Meets requirements of:

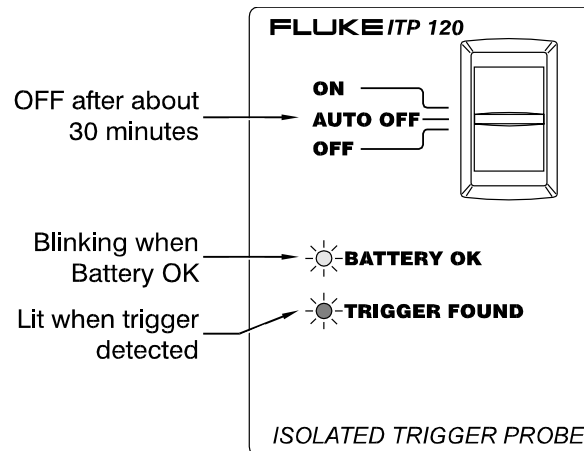
- UL 3111
- IEC1010-2-031 CAT II 600V (☐ Double Insulation)

#### Unpacking

Check that the following items are included with the ITP 120:

- Trigger Probe
- Mini Testhook (with ground lead)
- 9V Battery (installed)

#### Using the ITP 120



#### Limited Warranty & Limitation of Liability

This Fluke product will be free from defects in material and workmanship for one year from the date of purchase. This warranty does not cover fuses, disposable batteries or damage from accident, neglect, misuse or abnormal conditions of operation or handling. Resellers are not authorized to extend any other warranty on Fluke's behalf. To obtain service during the warranty period, send your defective product to the nearest Fluke Authorized Service Center with a description of the problem.

THIS WARRANTY IS YOUR ONLY REMEDY. NO OTHER WARRANTIES, SUCH AS FITNESS FOR A PARTICULAR PURPOSE, ARE EXPRESSED OR IMPLIED. FLUKE IS NOT LIABLE FOR ANY SPECIAL, INDIRECT, INCIDENTAL OR CONSEQUENTIAL DAMAGES OR LOSSES, ARISING FROM ANY CAUSE OR THEORY.

Since some states or countries do not allow the exclusion or limitation of an implied warranty or of incidental or consequential damages, this limitation of liability may not apply to you.

Fluke Corporation  
P.O. Box 9090  
Everett WA 98206-9090  
USA.

Fluke Industrial B.V.  
P.O. Box 680  
7600 AR Almelo  
The Netherlands

#### Service Centers

To locate an authorized service center, visit us on the World Wide Web:

<http://www.fluke.com>

or call Fluke using any of the phone numbers listed below:

+1-800-443-5853 in USA and Canada  
+31-402-678-200 in Europe  
+1-206-356-5500 from other countries

June 1996, Rev. 2, 4/97

© 1996, 1997 Fluke Corporation.

All rights reserved.

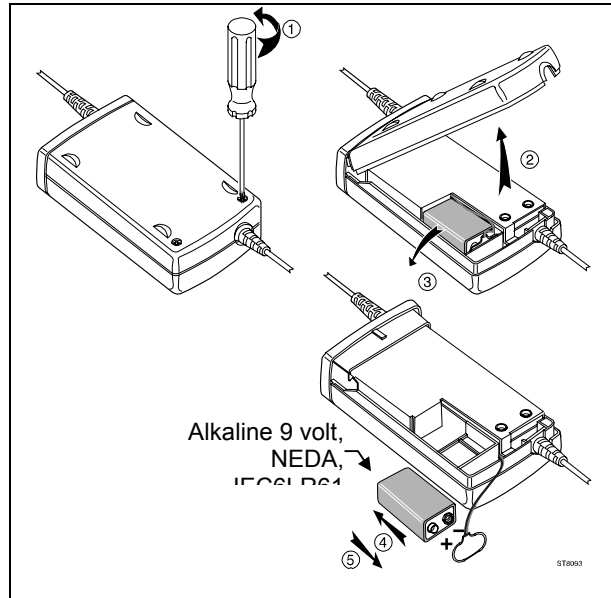
Printed in The Netherlands.

All product names are trademarks of their respective companies

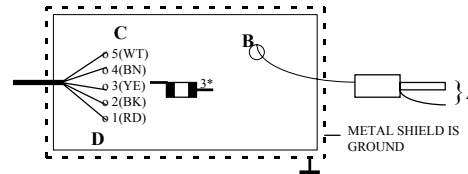


ST8092



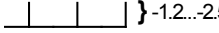

## Replacing the Battery



## Repairing the ITP 120

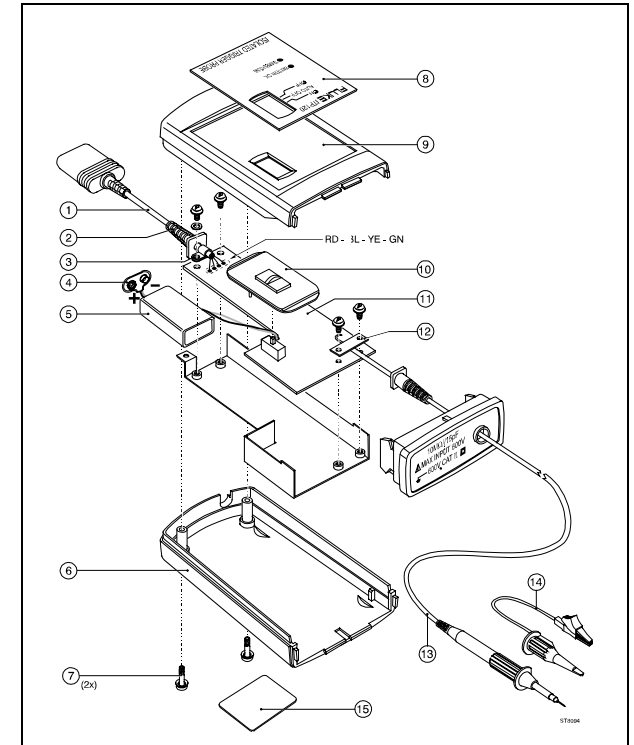


### No trigger function:

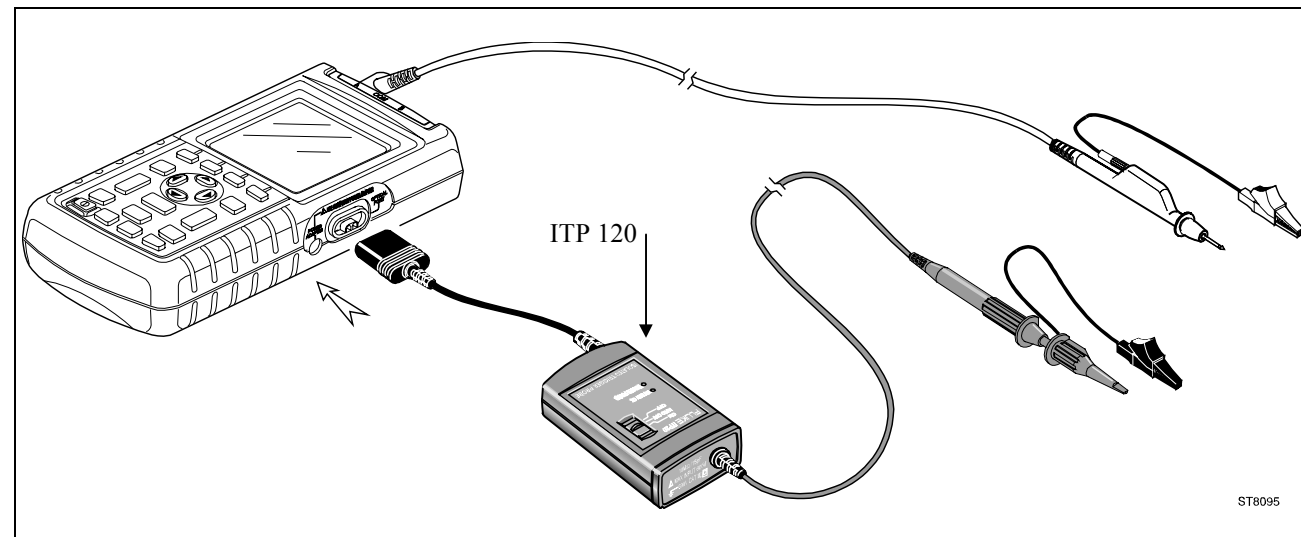
- A. Apply 1kHz  } 0..+10V
- B. Check for 1kHz  } 0...+0.8V  
Not OK: replace item 13.
- C. Check 3 for 6µs pulses  } -1.2...-2.5V  
Not OK: replace item 1.  
OK: check 3\* for pulses  } -2.5...-2.5V  
OK: replace item 1.  
Not OK: replace item 11.

### Trigger slope error:

- D. Connect ITP120 to test tool  
Select +slope and check wire 1 for +1.2V  
Select - slope and check wire 1 for -2.5V  
OK: replace item 11. Not OK: replace item 1



## Connecting the ITP 120



ITEM	ORDERING CODE	DESCRIPTION
1	5322 324 00003	Optical Cable Assembly
2	5322 325 10162	Grommet
3	5322 401 11648	Cable Clamp
4	4822 290 80346	Battery Connect Cable
5	4822 138 10116	9V Alkaline Battery
6	5322 442 00162	Bottom Cover
7	5322 502 14063	Captive Screw M3x20
8	5322 454 13174	Top Text Plate
9	5322 442 00161	Top Cover
10	5322 410 10319	Slider
11	5322 216 04254	Printed Circuit Assembly
12	5322 401 11652	Cable Clamp
13	5322 210 10728	Probe Assembly
14	5322 401 11653	600V Mini Hook Clip
15	5322 454 13176	Warning Sticker