

DETAILS

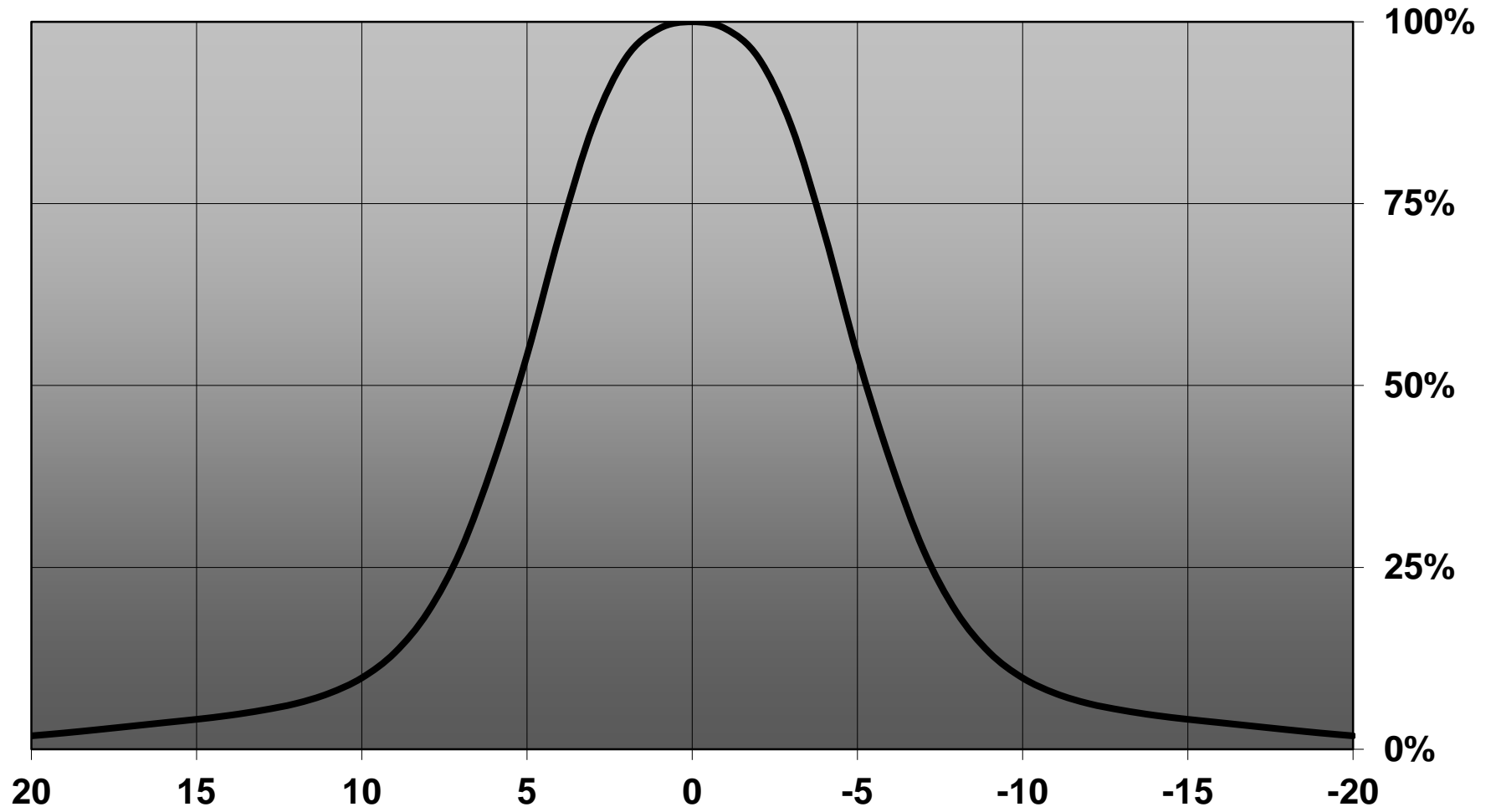
Product Number	CA12537_HEIDI-RS
Family	Heidi
Type	Assembly
Color	clear
Diameter	21,6 mm
Height	11,7 mm
Style	round
Optic Material	PMMA
Holder Material	
Fastening	tape, pin
Status	production ready
ROHS Compliant	Yes
Date Updated	3/01/2017



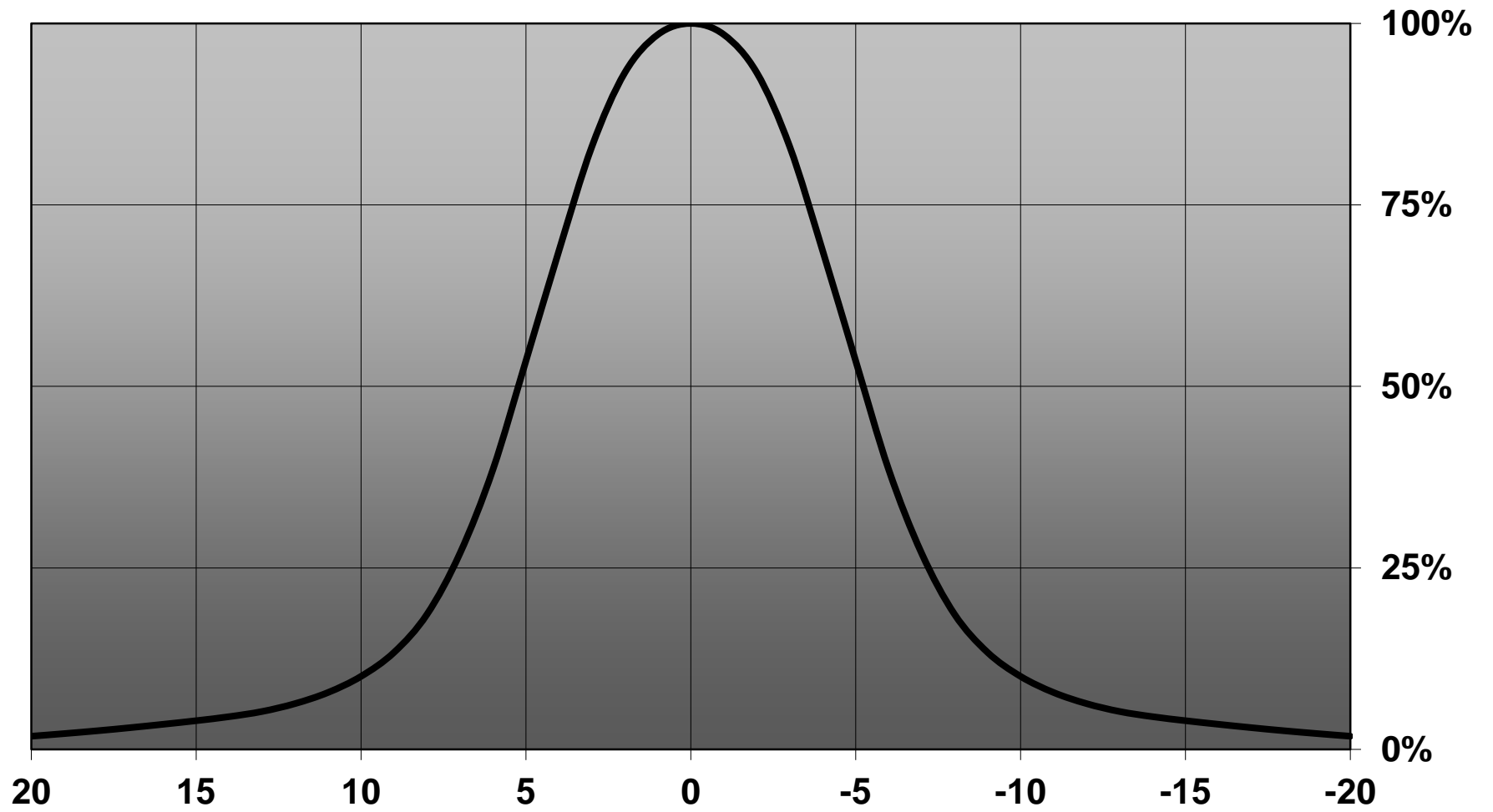
OPTICAL PROPERTIES

LED	Viewing	Light	Effi-	cd/lm	Connector
	Angle	Beam	ciency		
XP-L	15 deg	Real spot	89 %	8.300	-
LUXEON Rebel ES	11 deg	Real spot	86 %	15.100	-
LUXEON A	11 deg	Real spot	87 %	15.600	-
LUXEON Rebel	8 deg	Real spot	88 %	26.000	-
LUXEON R	sim: 11	Real spot	-	-	-
NWSx229A	16 deg	Real spot	87 %	7.000	-
NVSW3x9A	13 deg	Real spot	92 %	9.700	-
Oslon SSL 150	7 deg	Real spot	89 %	28.500	-
Oslon Black Flat	sim: 7,3	Real spot	sim: 94 %	sim: 38.300-	
Oslon Black	sim: 11	Real spot	sim: 93 %	sim: 16.800-	
Z8Y22P	12 deg	Real spot	94 %	10.700	-

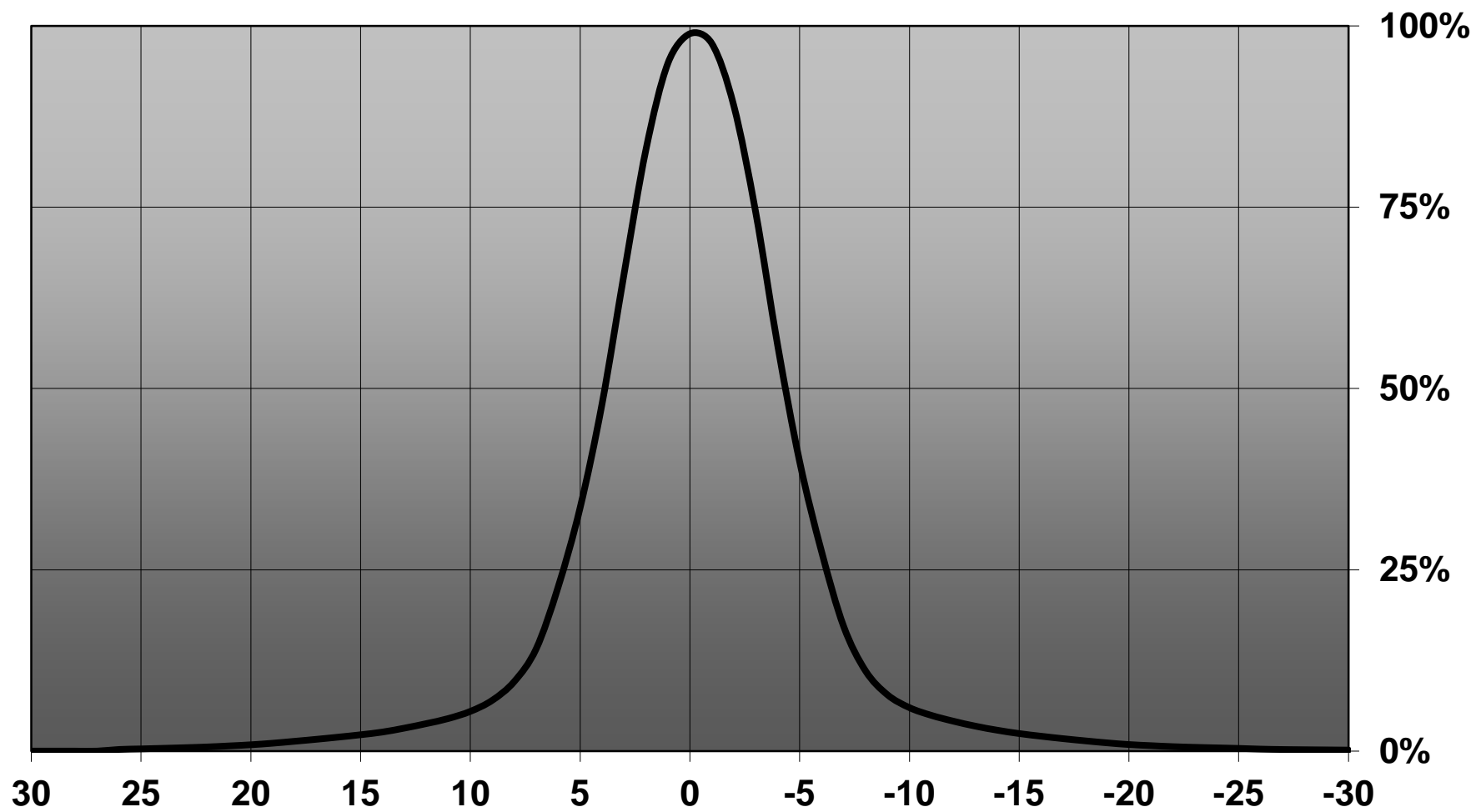
Relative intensity of CA12537_HEIDI-RS (Rebel-ES)



Relative intensity of CA12537_Heidi_RS (Luxeon A)



Relative intensity of CA12537_HEIDI-RS_(Luxeon Rebel)



D

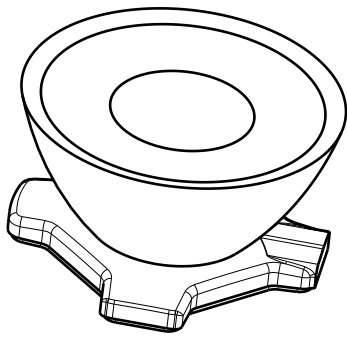
C

B

A

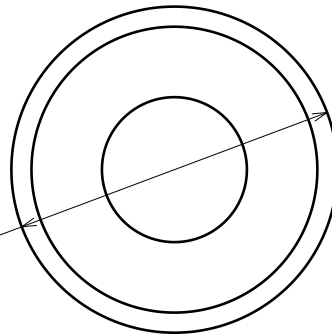
4

4



Isometric view

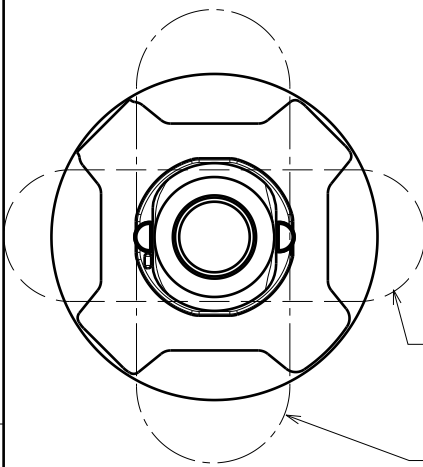
Ø 21.6



Top view

3

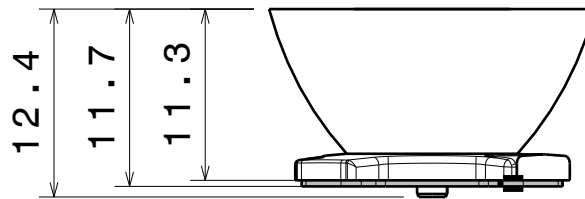
3



Bottom view
OVAL BEAM direction

Heidi-0

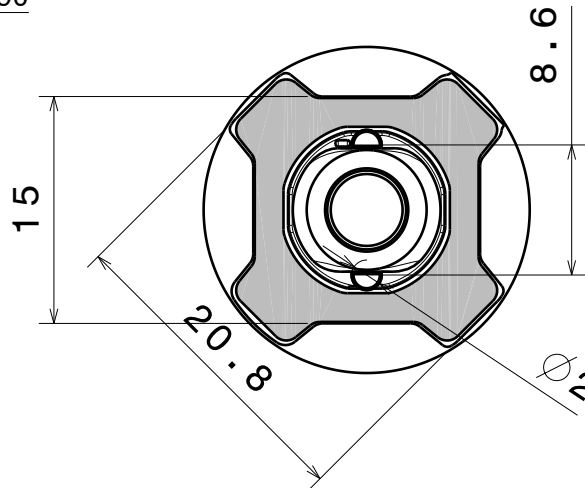
Heidi-0-90



Front view

2

2



8.6 Between pin midpoints

Bottom view

Material:
Lens PMMA
Tape PU Foam

This drawing is our property.
It can't be reproduced
or communicated without
our written agreement.



Ledil Oy
Salorankatu 10
FIN-24100 SALO
Finland

DRAWING TITLE

Datasheet Heidi-Series Assy

DRAWN BY
ah

DATE
1.2.2012

CHECKED BY

DATE

SIZE
A4

DRAWING NUMBER

REV
2

DESIGNED BY

DATE

SCALE 2:1 WEIGHT (g)

SHEET 1/1

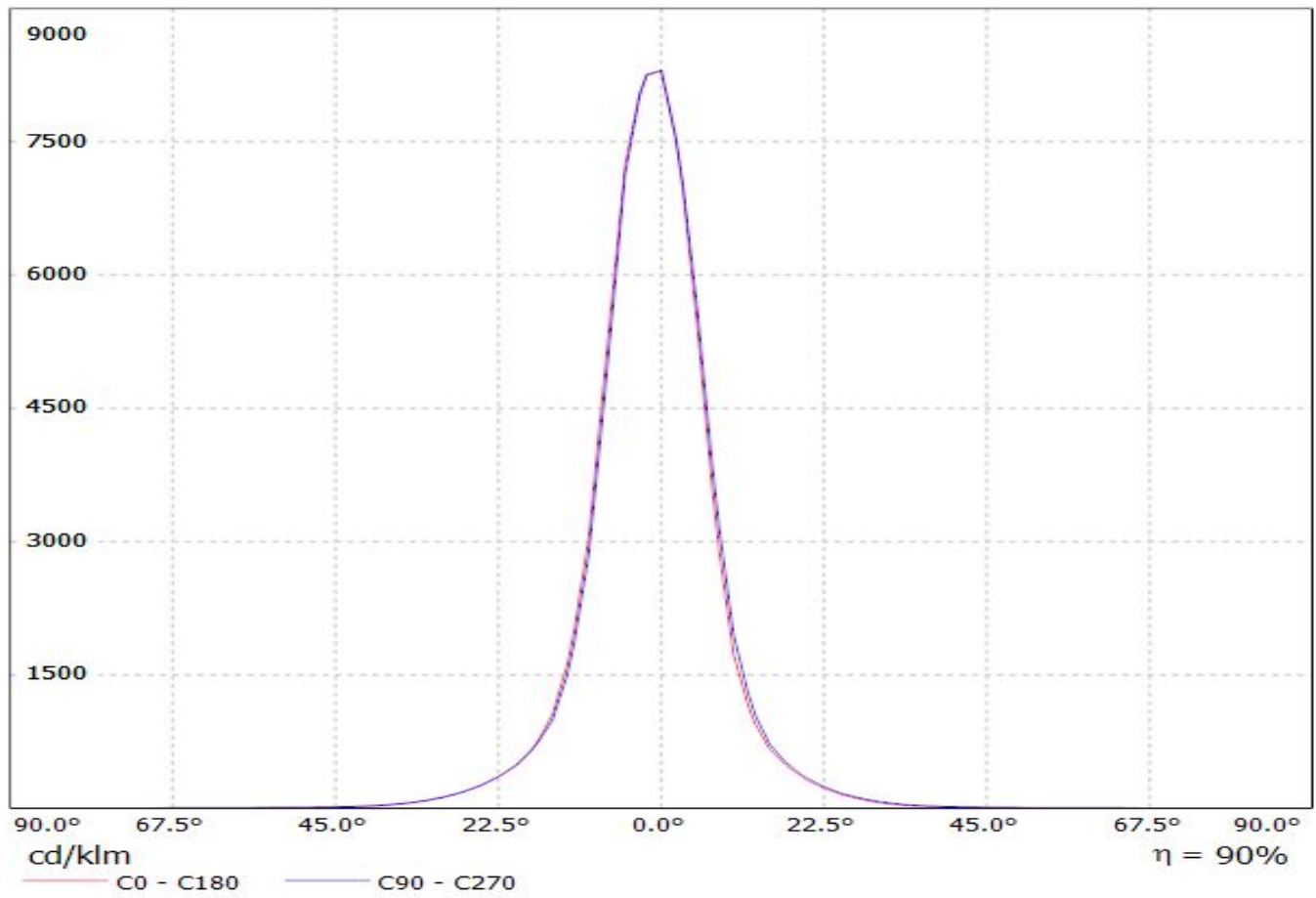
D

A

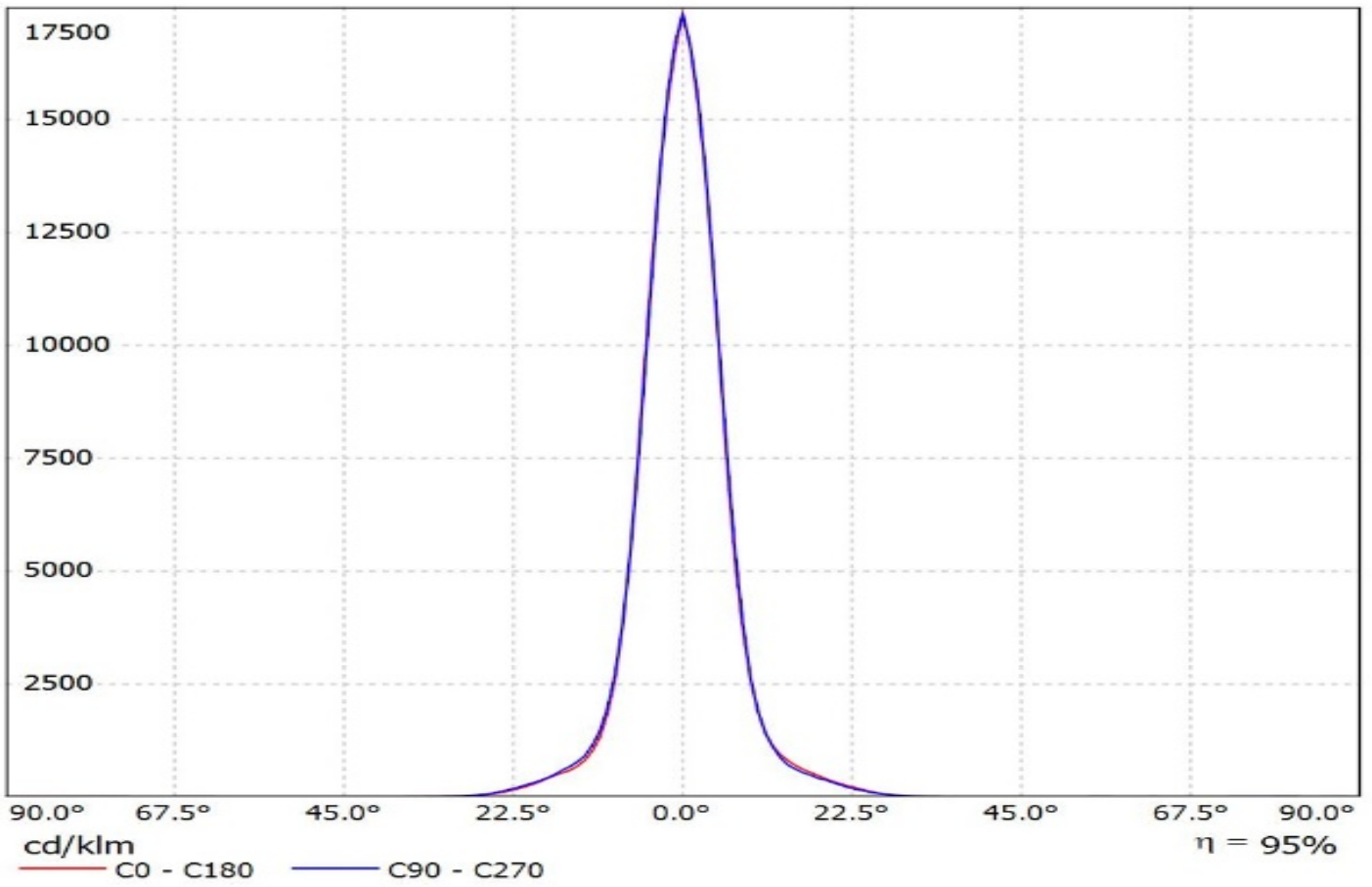
1

1

Luminaire: Ledil Oy CA12537_HEIDI-RS_(XP-L) Efficiency=89%
Lamps: 1 x Cree XP-L 125lm @ 250mA CCT= P=0.76W I=250mA

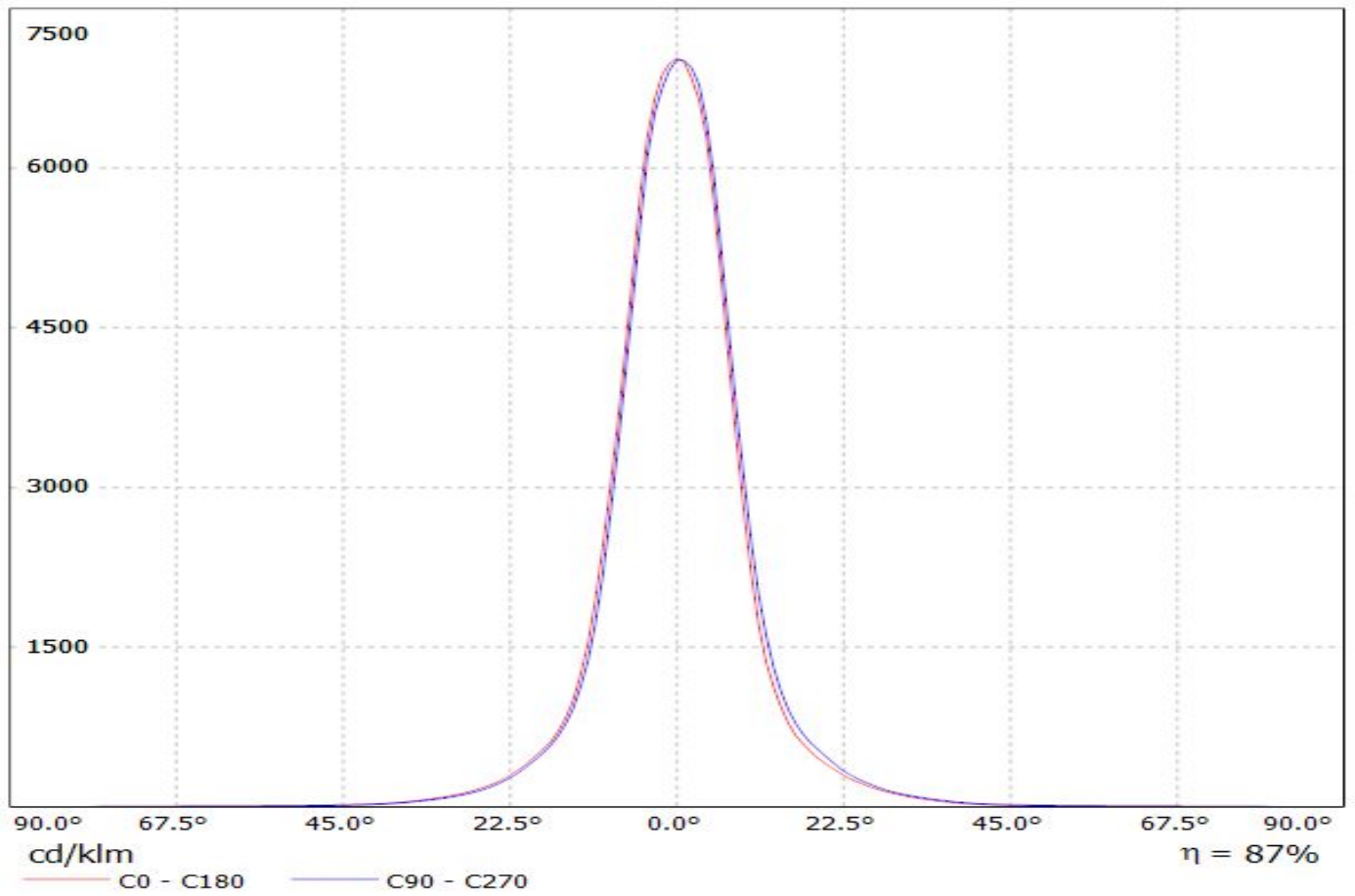


Luminaire: Ledil Oy CA12537_HEIDI-RS_(Luxeon_A)_SIMULATED
Lamps: 1 x Lumileds Luxeon A



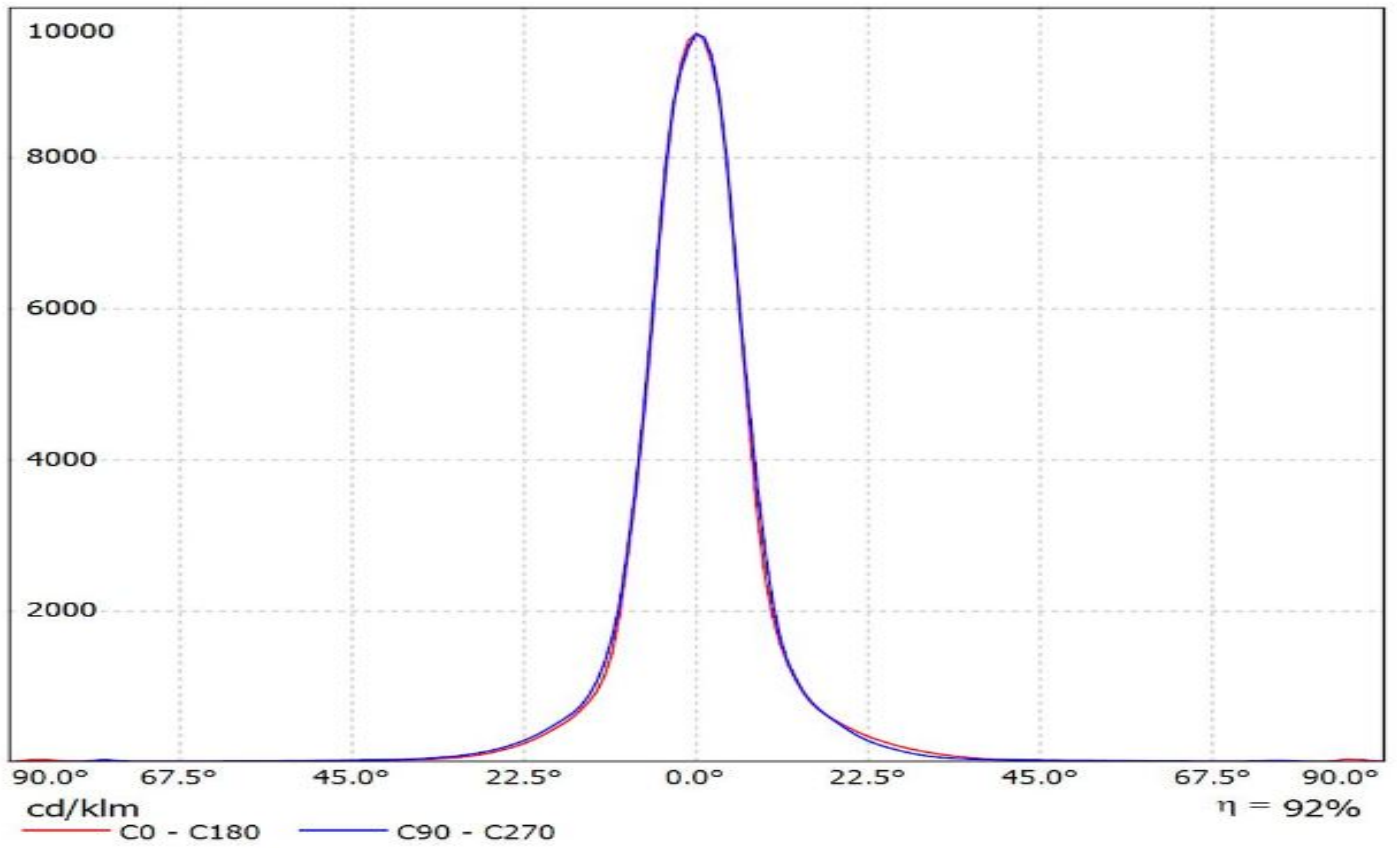
Luminaire: LEDiL Oy CA12537_HEIDI-RS_(NWSL229AE)

Lamps: 1 x Nichia_NWSL229AE_120.537lm@250mA_P=0.7126W_I=0.250A

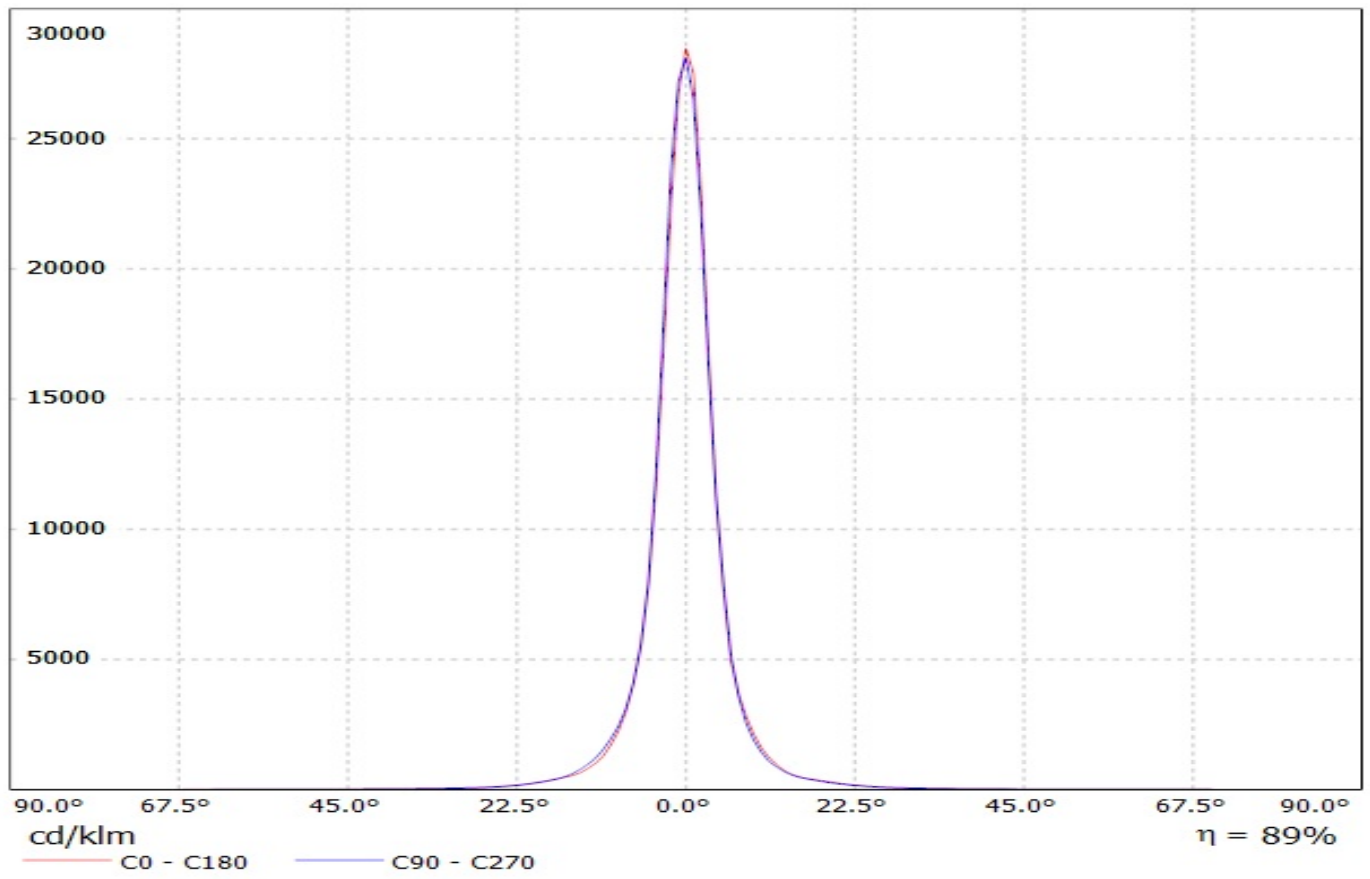


Luminaire: Ledil CA12537_HEIDI-RS_(NVSW319AE)

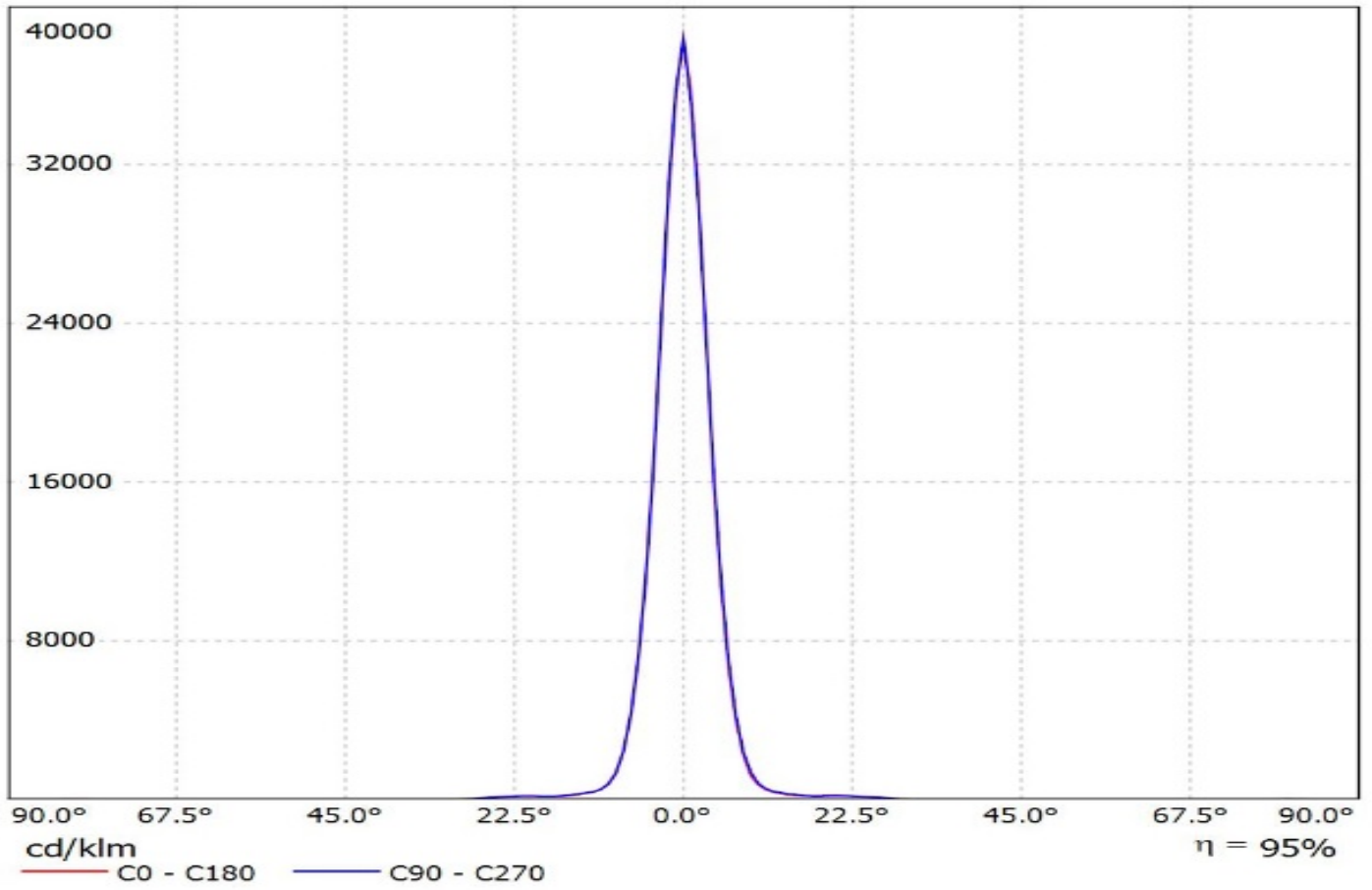
Lamps: 1 x Nichia_NVSW319AE_(sm405D440f2L2R70)_126.795lm@250mA_P=0.73515W_I=0.250A



Luminaire: LEDiL Oy CA12537_HEIDI-RS_(Oslon_SSL_150)
Lamps: 1 x Osram_Oslon_SSL_150_(LCW_CRUP.EC-KTLP-607Q-1)
_77.1485lm@250mA_P=0.744_I=250mA

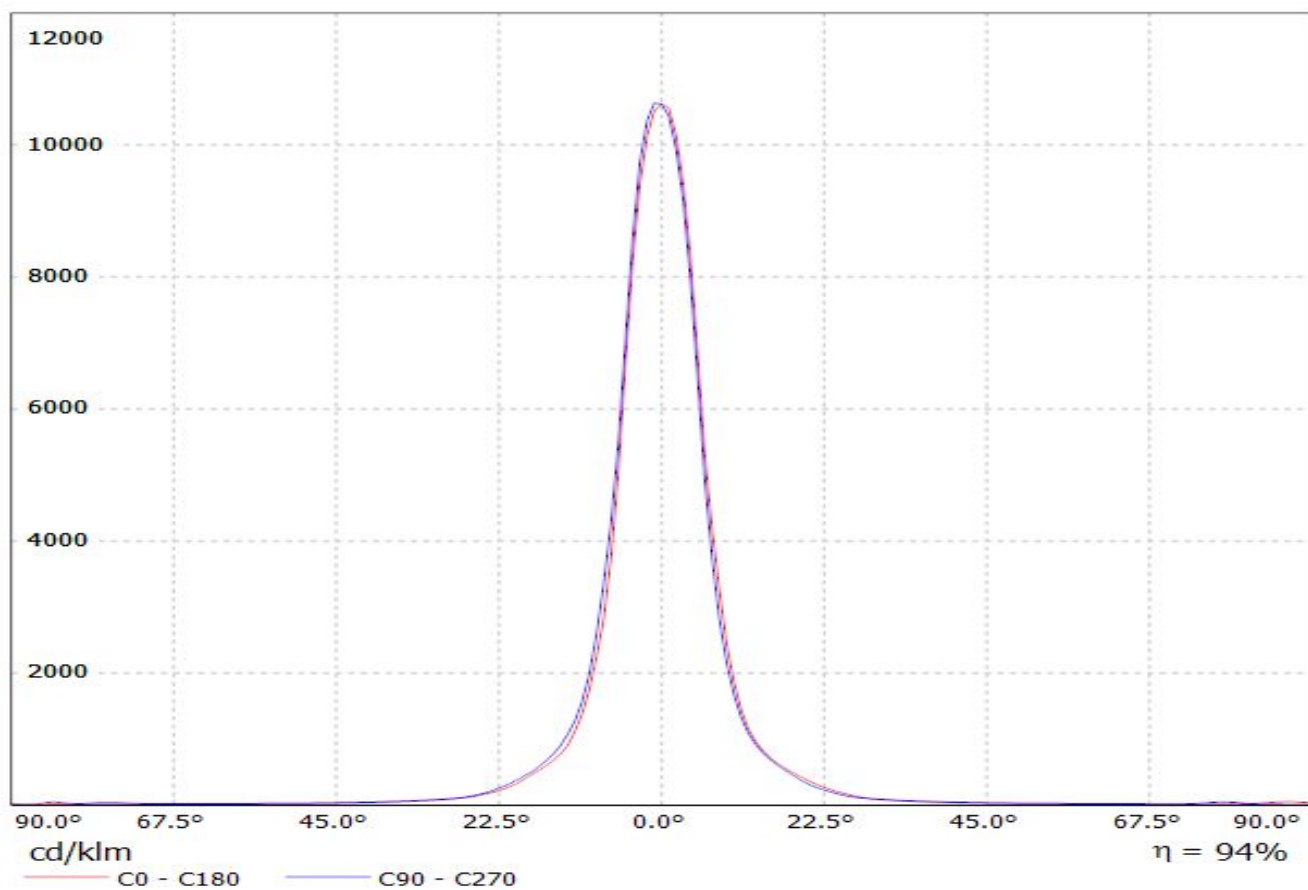


Luminaire: Ledil Oy CA12537_HEIDI-RS_(Oslon_Black_Flat)_SIMULATED
Lamps: 1 x Osram Oslon Black Flat (LUV HWQP)

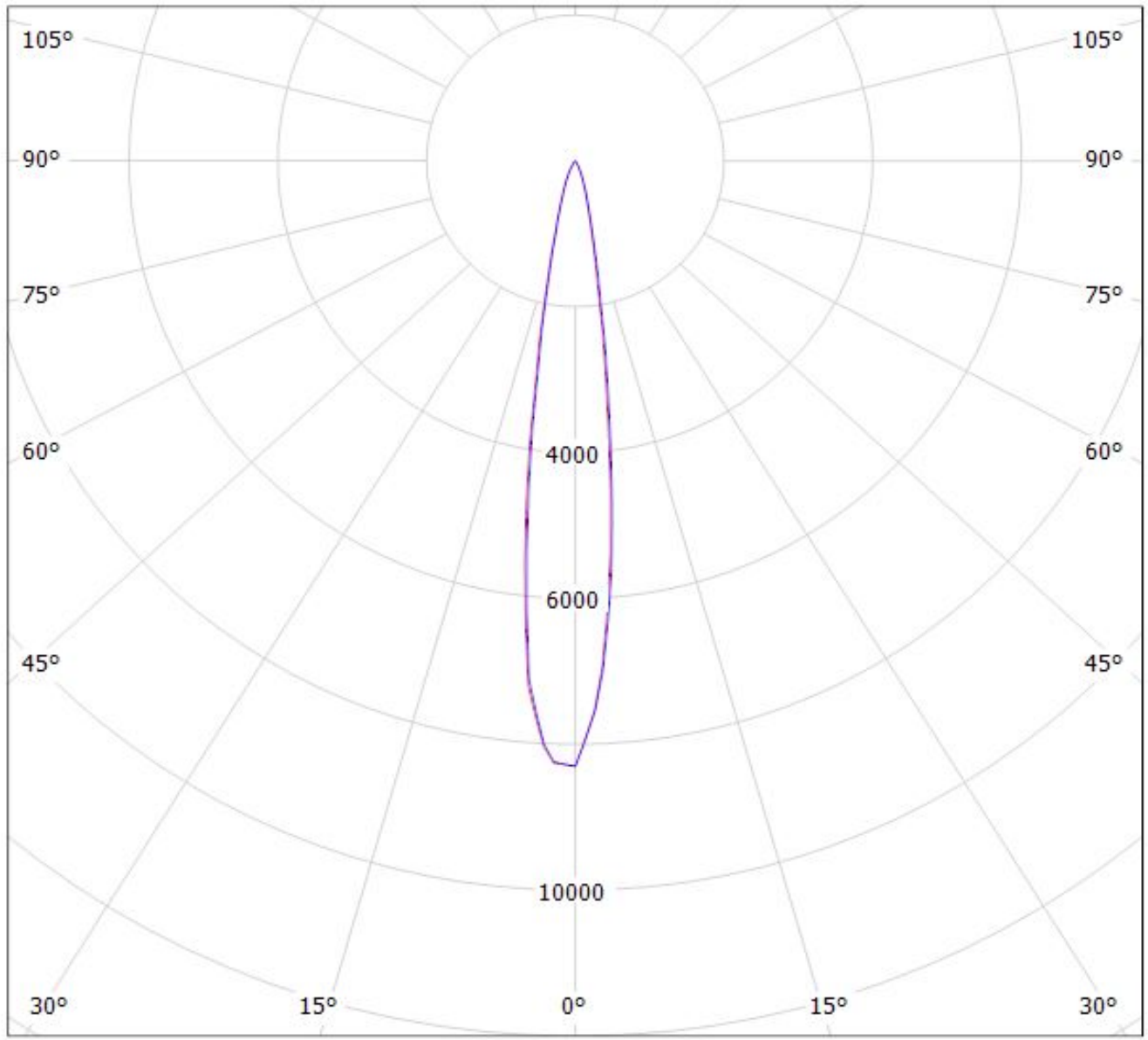


Luminaire: LEDiL Oy CA12537_HEIDI-RS_(Z8Y22plus)

Lamps: 1 x Seoul_Z8Y22plus_(W6E2G)_125.652lm@250mA_P=0.69312W_I=0.250A



Luminaire: Ledil Oy CA12537_HEIDI-RS_(XP-L) Efficiency=89%
Lamps: 1 x Cree XP-L 125lm @ 250mA CCT= P=0.76W I=250mA

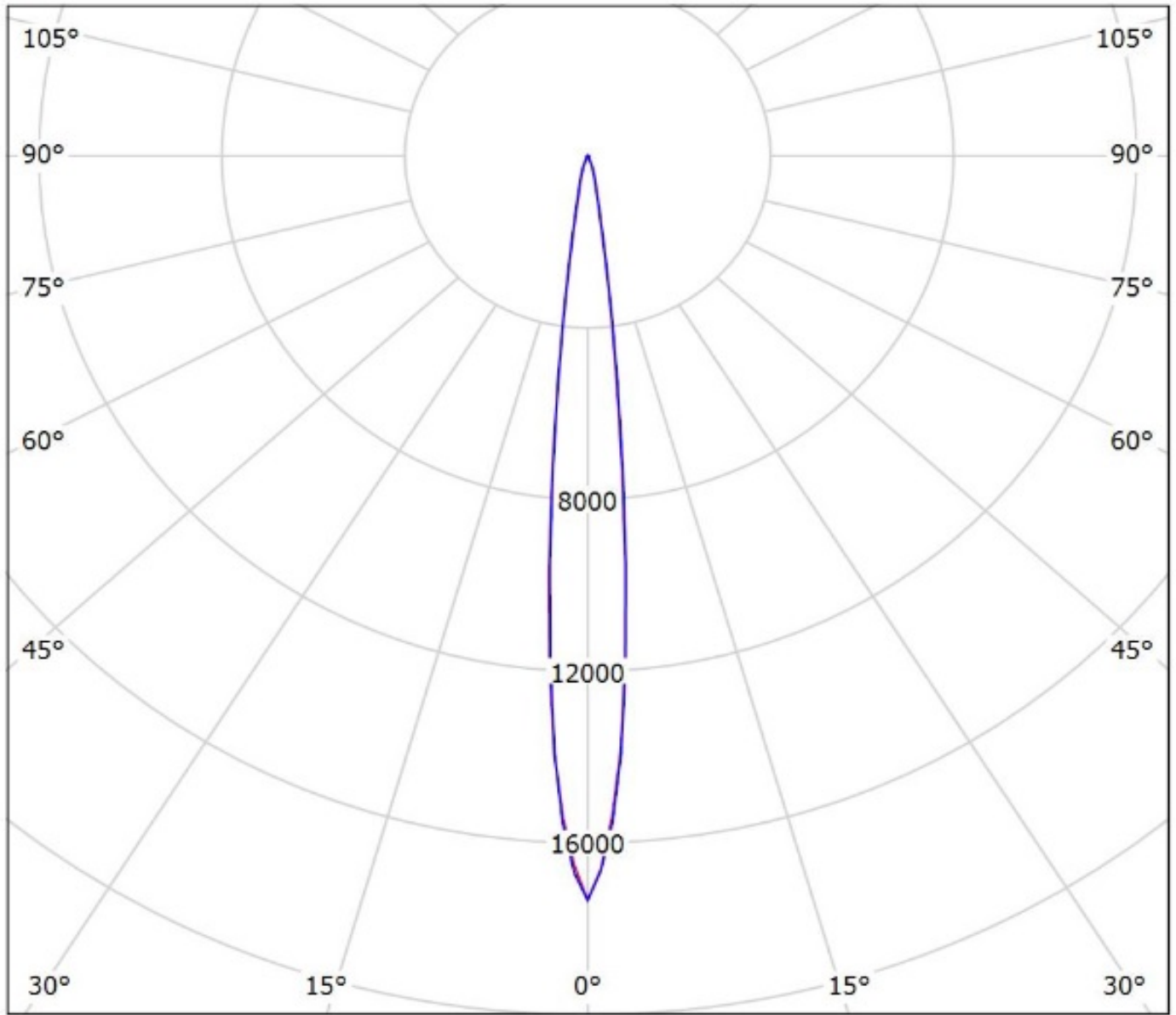


cd/klm

$\eta = 90\%$

— C0 - C180 — C90 - C270

Luminaire: Ledil Oy CA12537_HEIDI-RS_(Luxeon_A)_SIMULATED
Lamps: 1 x Lumileds Luxeon A

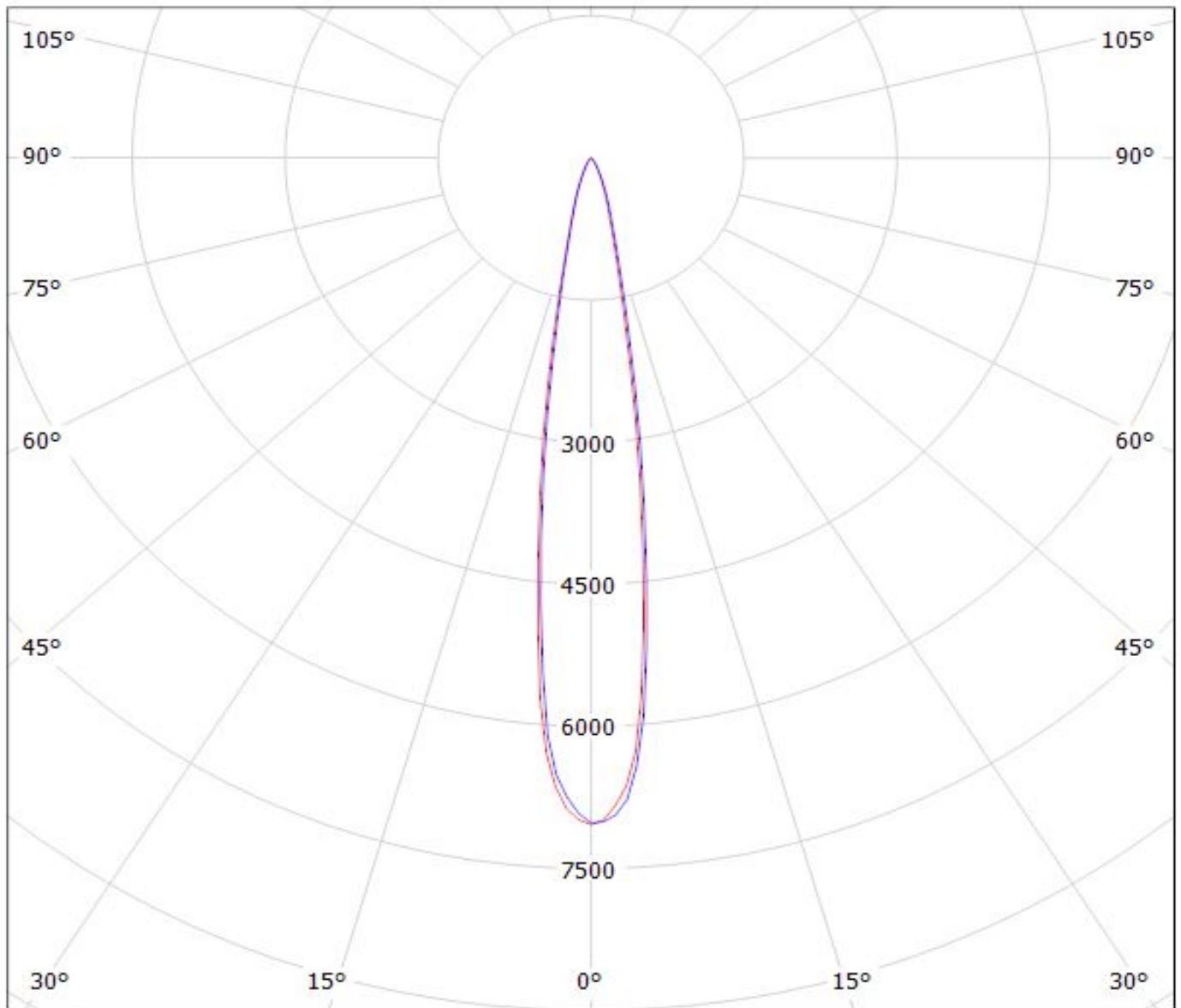


cd/klm
— C0 - C180 — C90 - C270

$\eta = 95\%$

Luminaire: LEDiL Oy CA12537_HEIDI-RS_(NWSL229AE)

Lamps: 1 x Nichia_NWSL229AE_120.537lm@250mA_P=0.7126W_I=0.250A



cd/klm

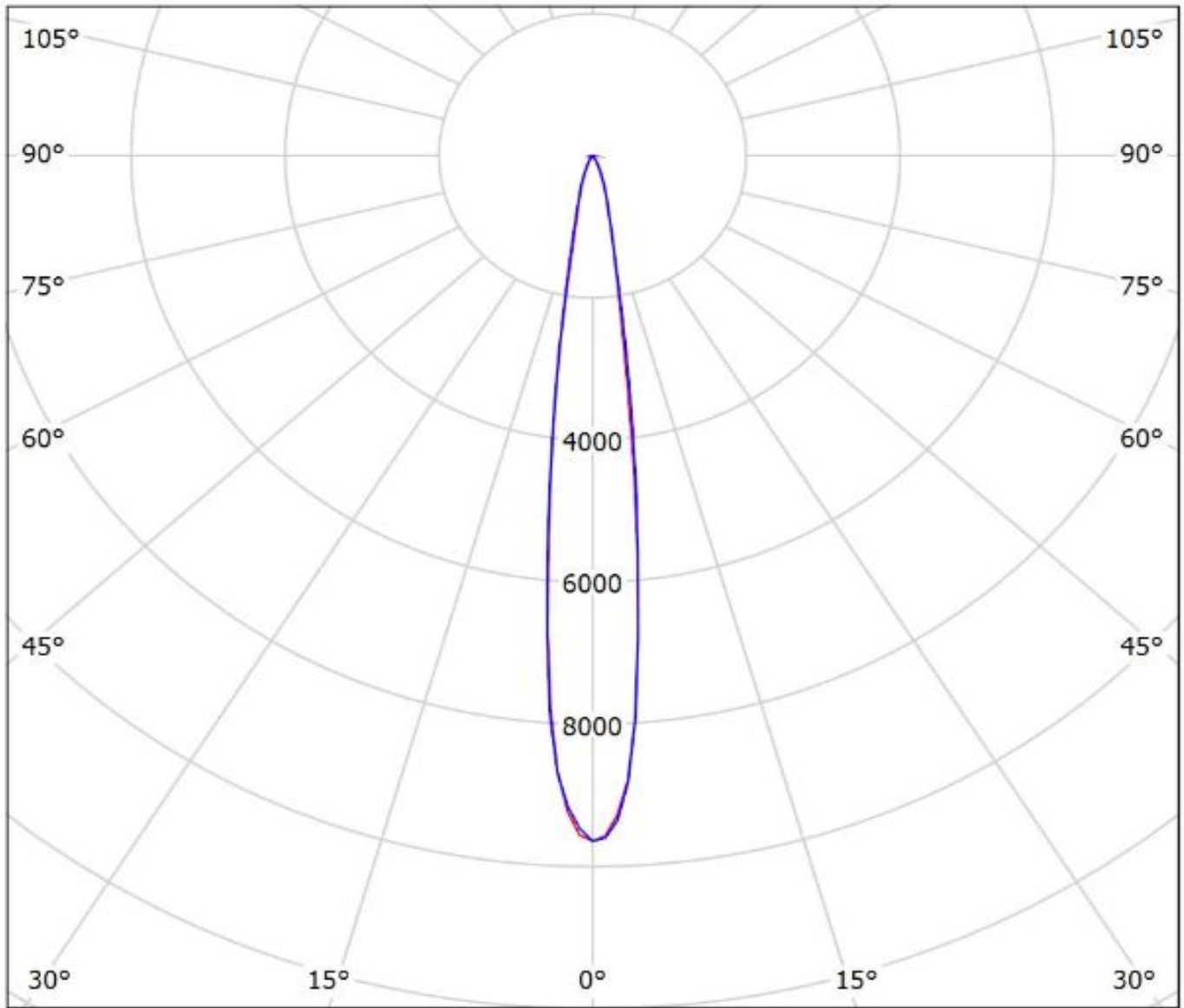
— C0 - C180

— C90 - C270

$\eta = 87\%$

Luminaire: Ledil CA12537_HEIDI-RS_(NVSW319AE)

Lamps: 1 x Nichia_NVSW319AE_(sm405D440f2L2R70)_126.795lm@250mA_P=0.73515W_I=0.250A

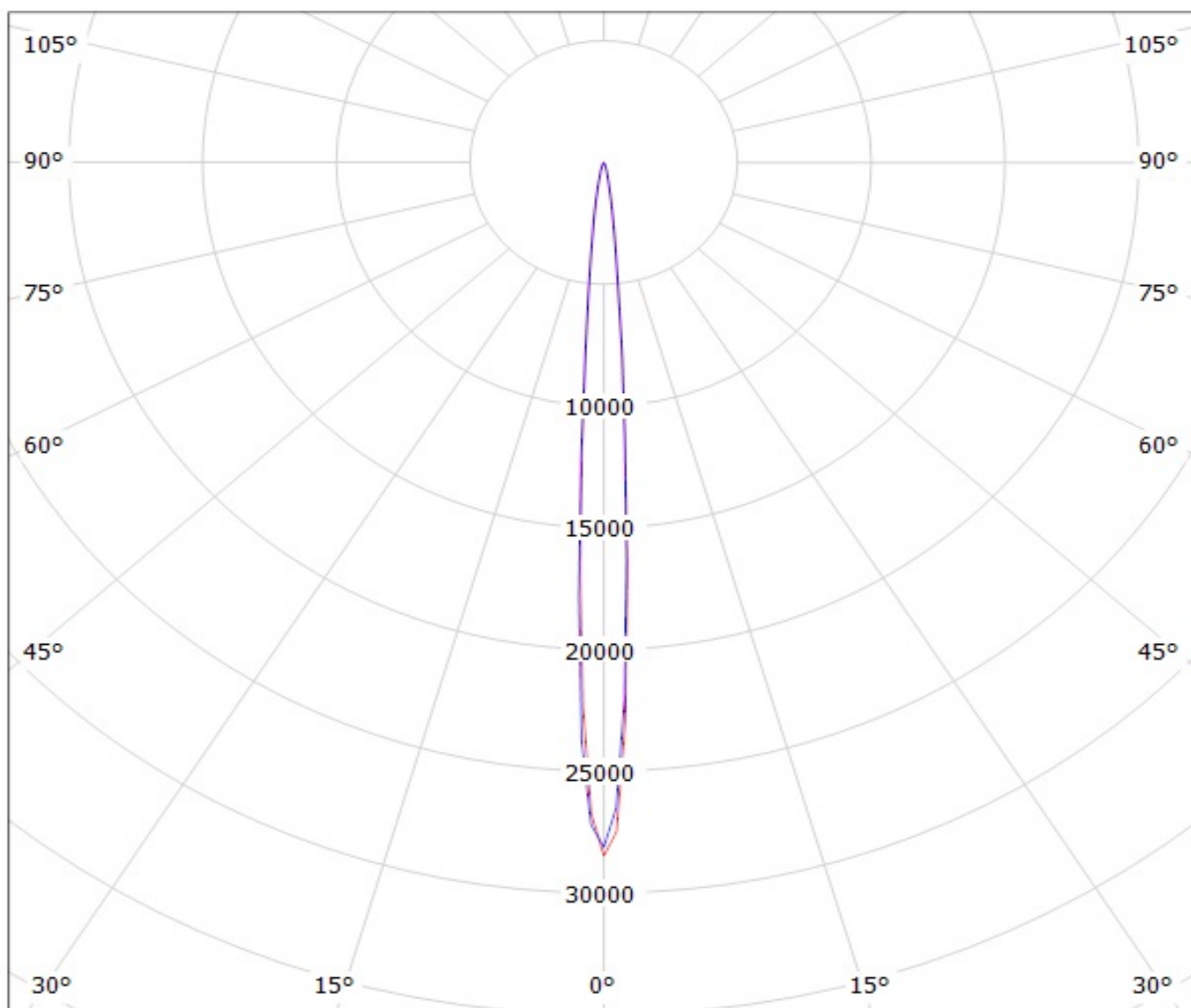


cd/klm

— C0 - C180 — C90 - C270

$\eta = 92\%$

Luminaire: LEDiL Oy CA12537_HEIDI-RS_(Oslon_SSL_150)
Lamps: 1 x Osram_Oslon_SSL_150_(LCW_CRUP.EC-KTLP-607Q-1)
_77.1485lm@250mA_P=0.744_I=250mA

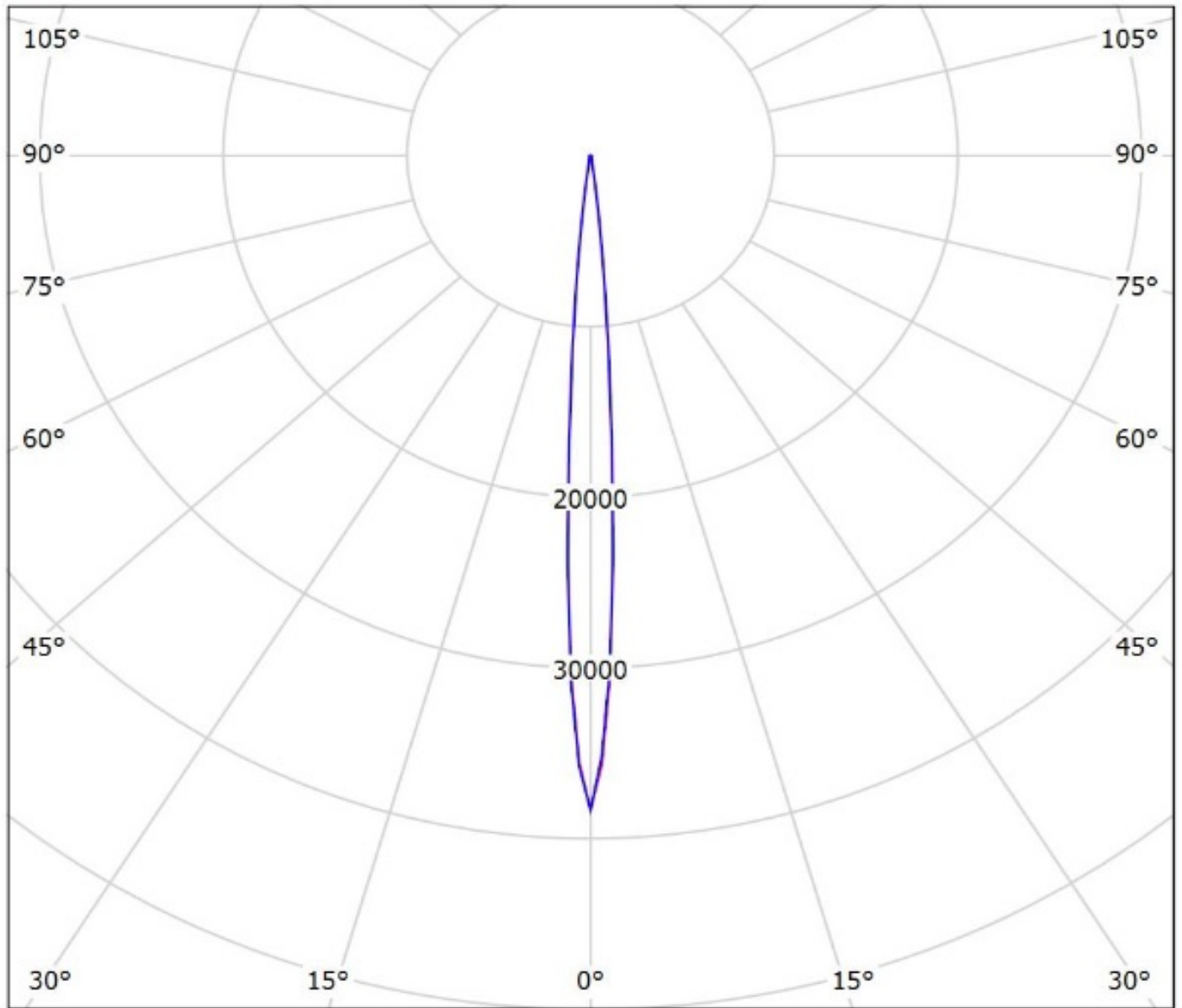


cd/klm

— C0 - C180 — C90 - C270

$\eta = 89\%$

Luminaire: Ledil Oy CA12537_HEIDI-RS_(Oslon_Black_Flat)_SIMULATED
Lamps: 1 x Osram Oslon Black Flat (LUV HWQP)

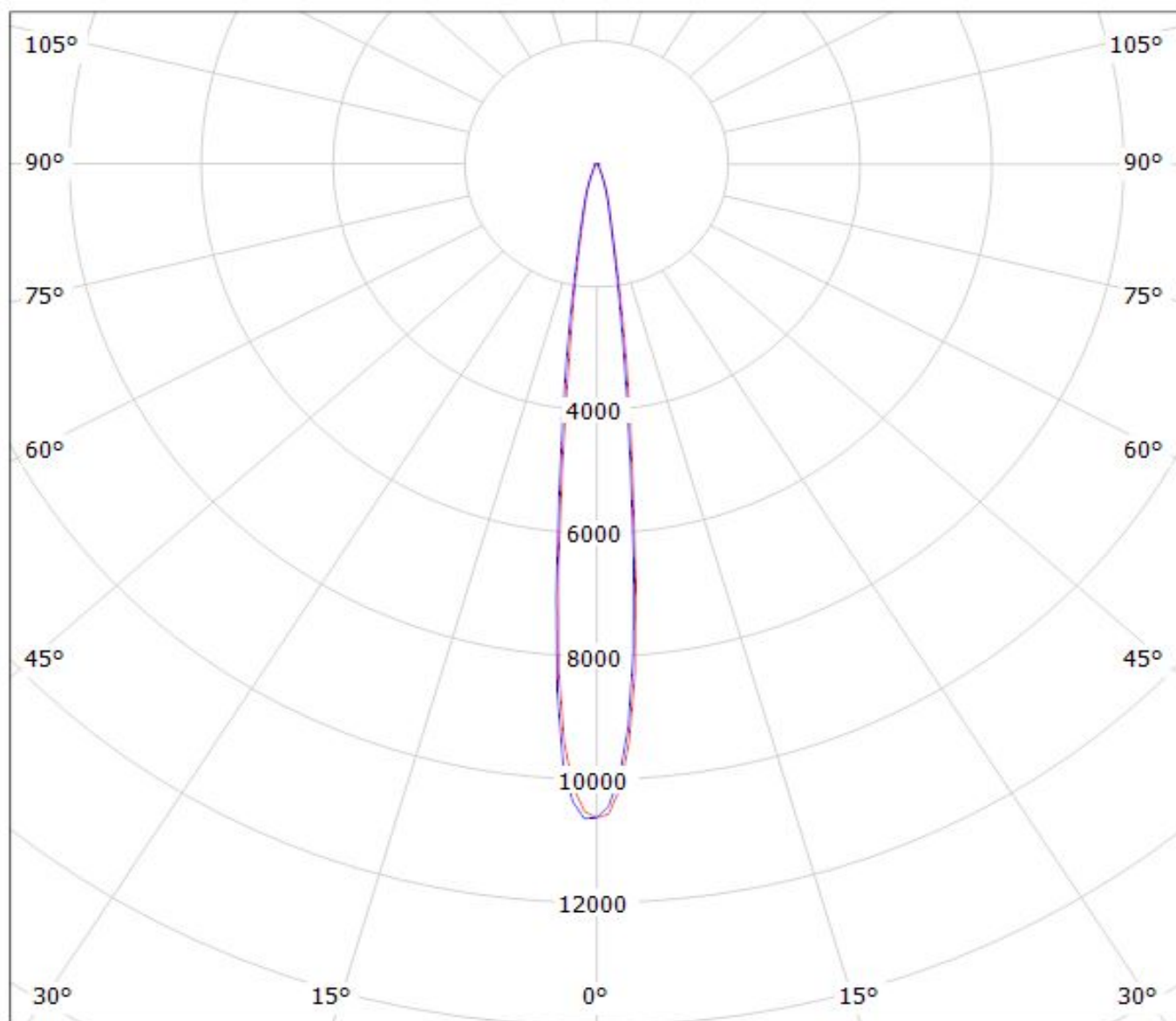


cd/klm
— C0 - C180 — C90 - C270

$\eta = 95\%$

Luminaire: LEDiL Oy CA12537_HEIDI-RS_(Z8Y22plus)

Lamps: 1 x Seoul_Z8Y22plus_(W6E2G)_125.652lm@250mA_P=0.69312W_I=0.250A



cd/klm

— C0 - C180

— C90 - C270

$\eta = 94\%$

NOTE: The typical divergence will be changed by different color, chip size and chip position tolerance. The typical total divergence is the full angle measured where the luminous intensity is half of the peak value.