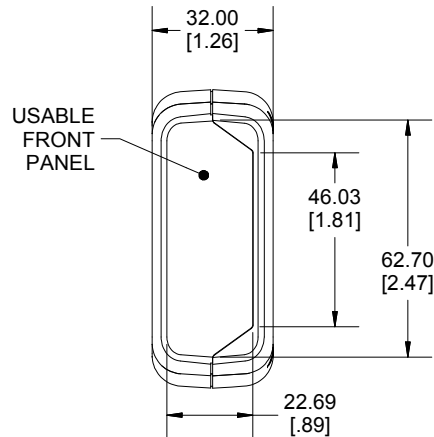
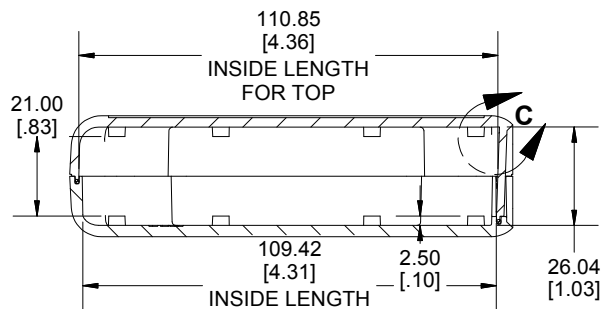
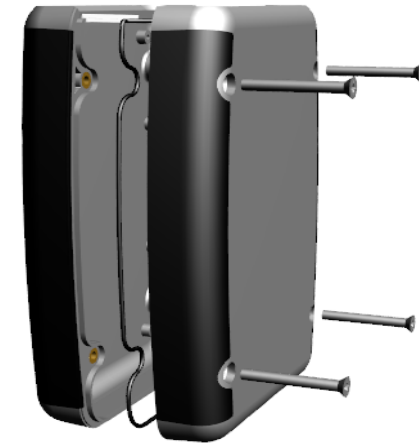


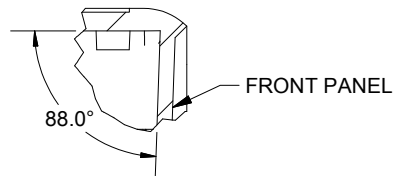
TOP VIEW



FRONT VIEW



**SECTION B-B
SIDE VIEW**



**DETAIL C
SCALE 1 : 1**

Enclosures can be Factory Modified (Milling, Drilling, Printing etc.)
 Contact Factory mjm@hammondmfg.com for quotes
 Solid models of this enclosure available in STEP or IGES.
 (Part number and text placement/orientation on our products are subject to change,
 we do not recommend using them as a locating reference for modification purposes)

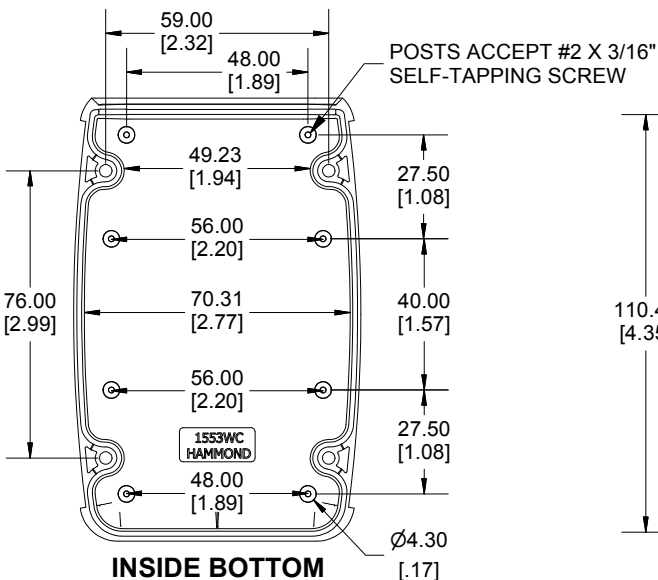
NOTE	
Enclosure made from UV Stabilized, FR ABS (UL 94-V0) plastic.	
Purchased assembly includes Top, Bottom, Pre-Installed Silicone Gasket, and 4 Cover Screws. M3 Brass Inserts are Pre-Installed.	
Recommended Cover screw torque -- 2.5 lbf-in (30 cN-m)	

PART NUMBER	
1553WC Liquid Resistant Enclosure	
Black Enclosure/Grey Over-mold	1553WCBK
Grey Enclosure/Grey Over-mold	1553WCGY
ACCESSORIES	
Silicone Pre-formed Gaskets (Pkg 2)	1553WCGASKET
Stainless Steel Cover screw (Pkg 100) [M3-0.5 X 20mm]	SC1553WC100BK (Black)
P.C. Board Plastite Self Tapping Screw [#2 X 3/16" (6.4mm) Plated]	1553WTS100 (Pkg 100)

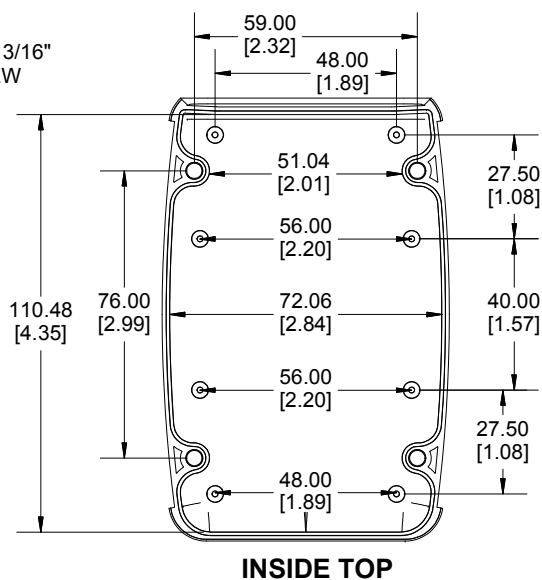
**HAMMOND
MANUFACTURING**

1553WC

www.hammondmfg.com



INSIDE BOTTOM



INSIDE TOP

Dimensions:
mm
[inches]