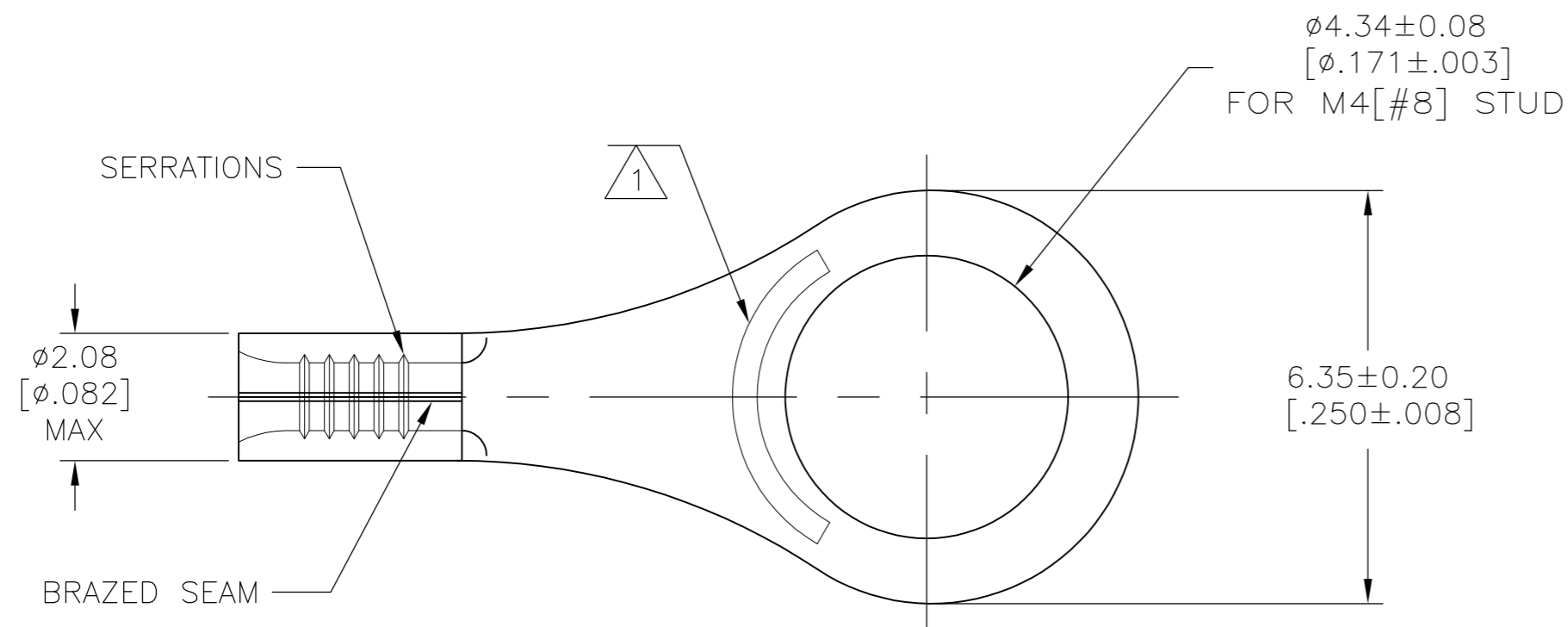


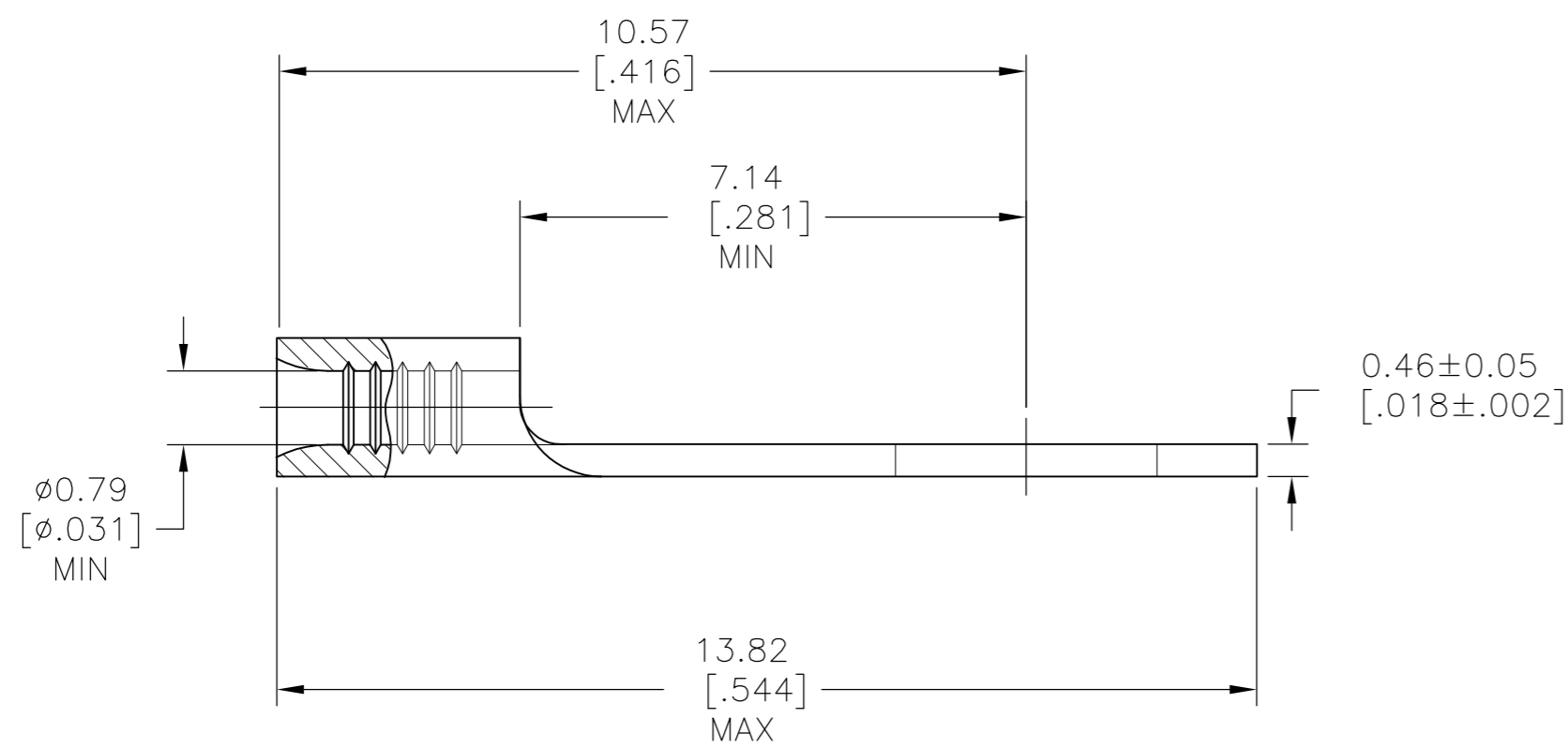
THIS DRAWING IS UNPUBLISHED. RELEASED FOR PUBLICATION  
 © COPYRIGHT - By - ALL RIGHTS RESERVED.

LOC	DIST	REVISIONS					
		P	LTR	DESCRIPTION	DATE	DWN	APVD
G	14	B		REVISED PER ECO-10-012870	28APR11	HMR	DR



**AMP**  
 WIRE RANGE  
 26-22 AWG  
 SOLID OR STRANDED

- 1 STAMP AMP APPROX AS SHOWN
- 2 COPPER PER ASTM B-152 ANNEALED
- 3 GOLD PLATE 0.00127[.000050] MIN EXT THK PER ASTM B488, TYPE1, CODE C, OVER NICKEL PLATE 0.00127[0.000050] MIN EXT THK PER SAE AMS QQ-N-290 OVER Cu FLASH PER SAE AMS 2418.



AMP INCORPORATED CUSTOMER SERVICE SYSTEMS		MAX RECOMMENDED OPERATING TEMPERATURE: 260°C
FOR ADDITIONAL PRODUCT INFORMATION OR COPIES OF DRAWINGS AND TECHNICAL DOCUMENTS	PRODUCT INFORMATION CENTER 1-800-522-6752	VOLTAGE RATING: NOT APPLICABLE
FOR APPLICATION TOOLING INFORMATION	TOOLING ASSISTANCE CENTER 1-800-722-1111	WIRE CROSS SECTIONAL AREA RANGE: 0.1-0.41mm <sup>2</sup> [202-810] CIR MILS SOLID OR STRANDED
FOR ORDER ENTRY	1-800-526-5142	THIS DRAWING IS A CONTROLLED DOCUMENT FOR AMP INCORPORATED. IT IS SUBJECT TO CHANGE AND THE CONTROLLING ENGINEERING ORGANIZATION SHOULD BE CONTACTED FOR THE LATEST REVISION.

THIS DRAWING IS A CONTROLLED DOCUMENT.		DWN TA BRINKMAN 6-15-93	1000		LOOSE PIECE	3	55778-1
DIMENSIONS: mm [INCHES]		CHK DA PATTERSON 6-15-93	QTY		PACKAGE TYPE	FINISH	PART NO
TOLERANCES UNLESS OTHERWISE SPECIFIED: 0 PLC ± - 1 PLC ± - 2 PLC ± - 3 PLC ± - 4 PLC ± - ANGLES ± -		APVD DE MILLER 6-15-93	NAME		TE Connectivity		
MATERIAL 2		FINISH SEE TABLE	PRODUCT SPEC		TERMINAL, RING TONGUE, SOLISTRAND™ HEAT RESISTANT, STRATO-THERM		
WEIGHT		-	SIZE	A2	CAGE CODE	00779	DRAWING NO C=55778
CUSTOMER DRAWING		SCALE	10:1	SHEET	1	OF 1	REV B