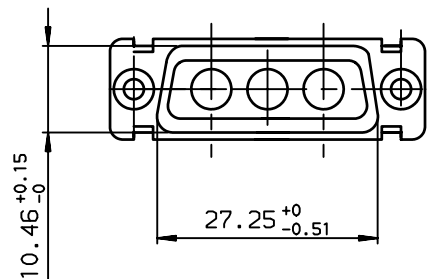
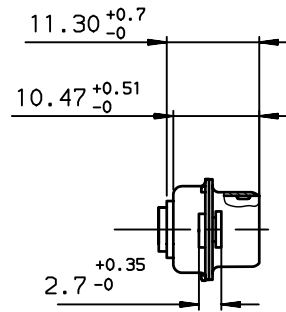
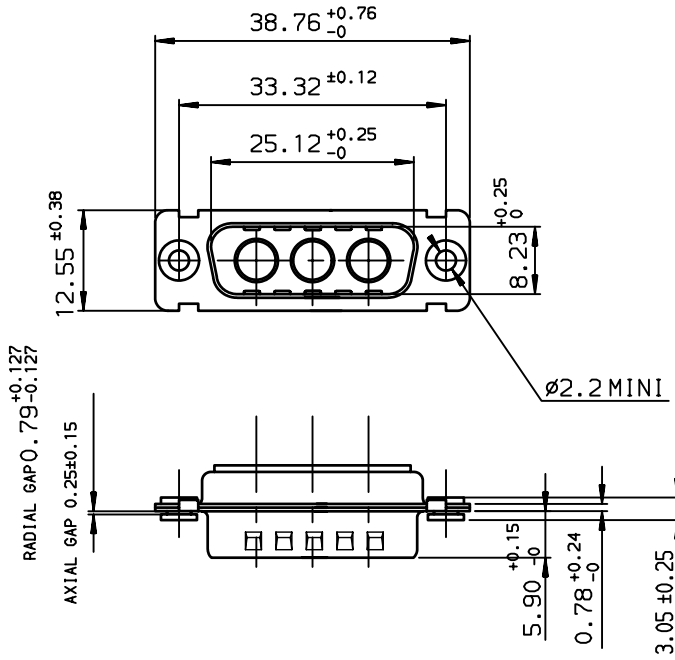
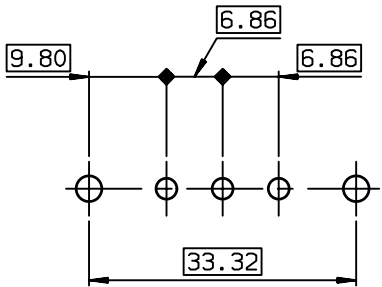


GENERAL CHARACTERISTICS : SEE DRAWING C01-8639-0001



DAF3W3PA00
 PART NUMBER

LAYOUT DIMENSIONS (after plating)
 CONNECTOR SIDE VIEW



European Views

www.fciconnect.com		surface ISO 1302 <input checked="" type="checkbox"/>	tolerance std ISO 406 ISO 1101	projection 	mm
		TOLERANCES UNLESS OTHERWISE SPECIFIED			
Dr	JARRY	1996/05/02	0.X	± 0.1	size
Eng	JARRY	1996/05/02	0.XX	± 0.1	A3
Chr	LEGARE	1996/05/02	0.XX*	$\pm 2^*$	Scale
Appr	LEGARE	1996/05/02	0.XXX	± 0.1	1.5
Product family			D-SUB		ECN LS07-0273
Spec ref			-		
		title PIN CONNECTOR FOR POWERS CONTACTS		dwg no C01-8639-0482	Rev. D
catalog no		-		CUSTOMER	sheet 1 of 1

rev	ecn no	dr	date
B	-	BAR	2003/10/20
C	LS06-0097	LGO	2006/07/28
D	LS07-0273	MPE	2007/10/30
-	-	-	-
-	-	-	-
-	-	-	-



Copyright FCI.