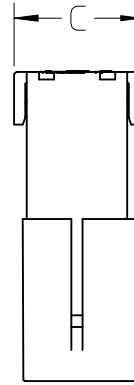


MATERIAL NUMBER	CKT SIZE	INSULATION DIA (MM)	SEAL COLOR	DIM A	DIM C
46065-0032	2	2.52 / 2.81	DARK ORANGE	14.4	16.7
46065-0033 *	3	2.52 / 2.81	DARK ORANGE	18.6	20.9
46065-0034 *	4	2.52 / 2.81	DARK ORANGE	22.8	25.1

* = NOT TOOLED



NOTES:

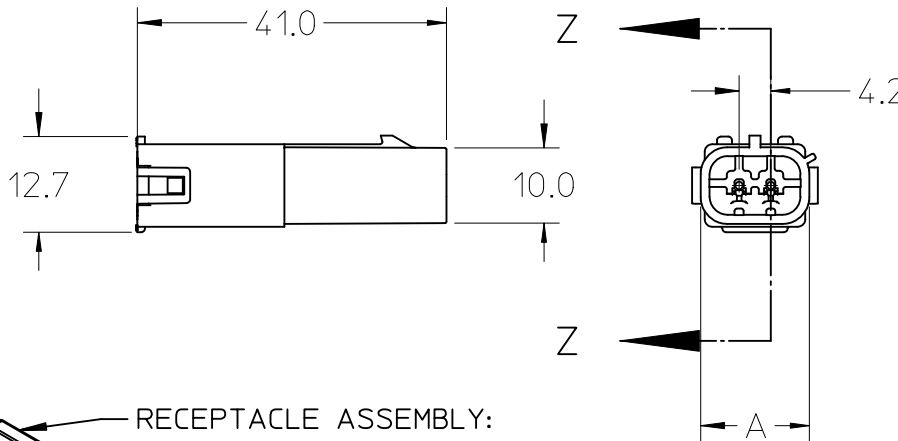
1. MATERIALS: PLUG HOUSING= POLYESTER: BLACK.
SEALS: SILICONE RUBBER - SEE CHART.
COVER: POLYESTER: BLACK
2. PRODUCT SPECIFICATION: PS-46064-001.
3. PACKAGING SPECIFICATION: PK-46065-001.
4. THIS ASSEMBLY ACCEPTS CRIMP TERMINALS:
46056-0002 (TIN)
46056-0003 (SELECTIVE GOLD)
5. SEE SHEET TWO FOR TERMINAL ORIENTATION.
6. MATES WITH RECEPTACLE ASSEMBLY NUMBER 46064-.*.

CRIMP ORIENTATION SYMBOL

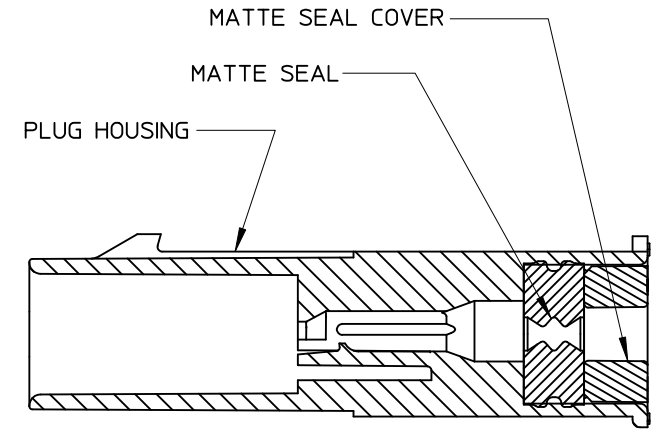
SEE SHEET 2



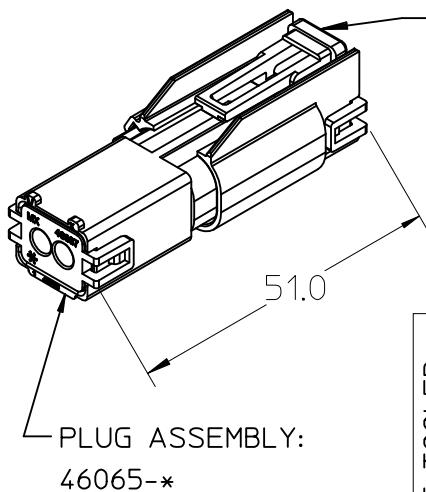
CIRCUIT NO. 1 IDENTIFICATION



RECEPTACLE ASSEMBLY:
46064-.*



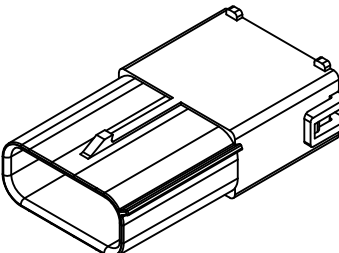
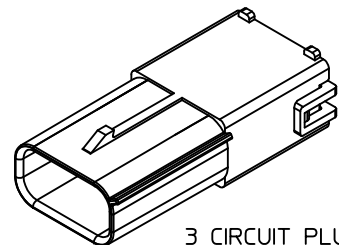
SECTION Z-Z
SCALE 2:1



PLUG ASSEMBLY:
46065-.*

MATED ASSEMBLIES

ADD NOT TOOLED EC NO: UCP2012-4063 DRWN: NGUYEN 2012/06/08 CHKD: JBELL 2012/06/08 APPR: FSM:TH 2012/06/13 DESCRIPTION	GENERAL TOLERANCES (UNLESS SPECIFIED)		DIMENSION STYLE MM ONLY		SCALE 1:1	DESIGN UNITS METRIC	THIRD ANGLE PROJECTION	
		mm	INCH	DRAWN BY BBWILSON	DATE	TITLE SEALED MINIFIT H20 PLUG ASSEMBLY		
	4 PLACES	± ---	± ---	CHECKED BY	DATE			
	3 PLACES	± ---	± ---	APPROVED BY	DATE	MOLEX MOLEX INCORPORATED		
	2 PLACES	± 0.25	± ---	MATERIAL NO.	DOCUMENT NO.			
1 PLACE	± 0.38	± ---	DRAFT WHERE APPLICABLE MUST REMAIN WITHIN DIMENSIONS		SD-46065-001		1 OF 2	
ANGULAR ±1/2°		SIZE A		THIS DRAWING CONTAINS INFORMATION THAT IS PROPRIETARY TO MOLEX INCORPORATED AND SHOULD NOT BE USED WITHOUT WRITTEN PERMISSION				



CRIMP ORIENTATION SYMBOL
SEE DETAIL1

MATTE SEAL

MATTE SEAL COVER

PLUG TERMINAL
46056

DETAIL1
SCALE 4:1

TERMINALS TO BE INSERTED INTO
HOUSING WITH THE CRIMP SECTION
MATCHING THE CRIMP ORIENTATION
SYMBOL ON THE HOUSING.

SEE SHEET 1	DESCRIPTION
EC NO: UCP2012-4063	2012/06/08
DRWN:NGUYEN	2012/06/08
CHKD:JBELL	2012/06/13
APPR:FSM/TH	
E1	REV

GENERAL TOLERANCES (UNLESS SPECIFIED)		
	mm	INCH
4 PLACES	± ---	± ---
3 PLACES	± ---	± ---
2 PLACES	± 0.25	± ---
1 PLACE	± 0.38	± ---
ANGULAR ±1/2°		
DRAFT WHERE APPLICABLE MUST REMAIN WITHIN DIMENSIONS		

DIMENSION STYLE MM ONLY	
DRAWN BY BBWILSON	DATE
CHECKED BY	DATE
APPROVED BY	DATE
MATERIAL NO. SEE CHART	
SIZE A	

SCALE 1:1	DESIGN UNITS METRIC	THIRD ANGLE PROJECTION
TITLE SEALED MINIFIT H20 PLUG ASSEMBLY		
molex MOLEX INCORPORATED		
DOCUMENT NO. SD-46065-001	SHEET NO. 2 OF 2	