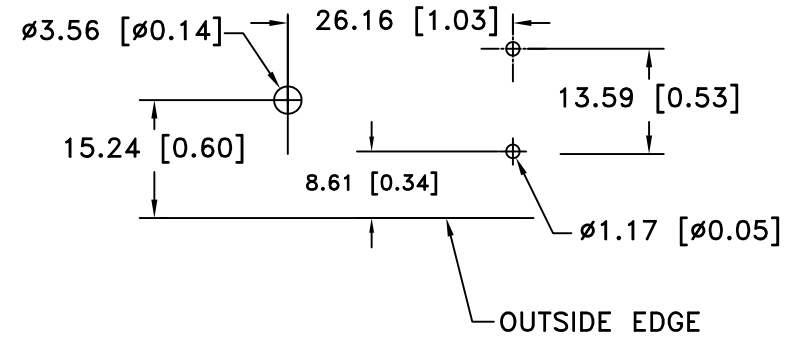
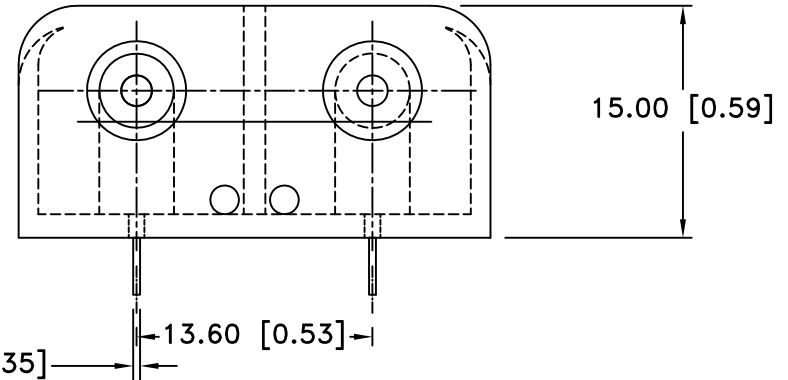
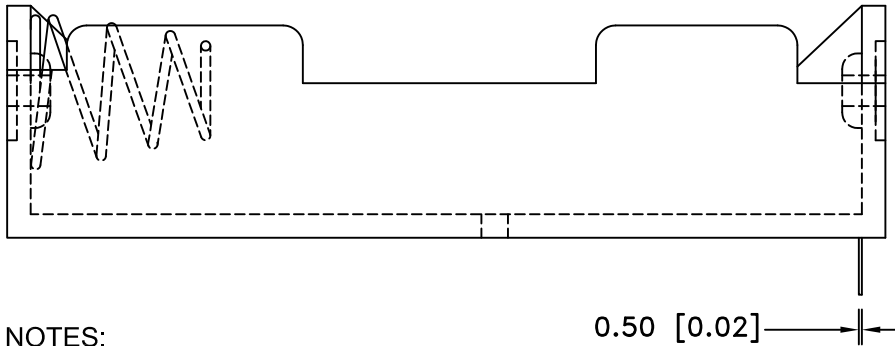


Date	SYM	REVISION RECORD	AUTH	DR.	CK.
4/29/06	C	ADDED CONTACT RESI. INFO.	T.B.	B.S.	
10/02/09	D	REDRAWN. 57.20 WAS 57.90	T.B.	B.S.	
03/12/10	E	ADDED PCB LAYOUT	T.B.	B.S.	
01/25/13	F	DIM. 26.16 WAS 29.08	T.B.	B.S.	



PCB LAYOUT




NOTES:

1. MATERIAL:

HOUSING : BLACK POLYPROPYLENE
 FLAMMABILITY RATING -UL94-HB, UL FILE NO. E216959
 TEMPERATURE RANGE: -10°C to +100°C
 RIVETS: BRASS, NICKLE PLTD.
 SPRING: SPRING STEEL, NICKLE PLTD.
 LUGS: BRASS, NICKLE PLATED
 CONTACT RESISTANCE: UNDER 50mΩ FOR +/- CONTACTS PER
 EIA-540J000

ROHS COMPLIANT

Tolerance (Except as noted)	 Memory Protection Devices, Inc 200 Broad Hollow Road, Farmingdale, New York 11735		
decimal ±.5 (.020)	Scale	Drawn By B.S.	
Fractional ± .8 (.030)	Title	TWO "AA" CELL HOLDER	
Angular ± 3°	Date	Drawing Number	
	01/25/13	BC2AAPC	
		Approved By T.B.	