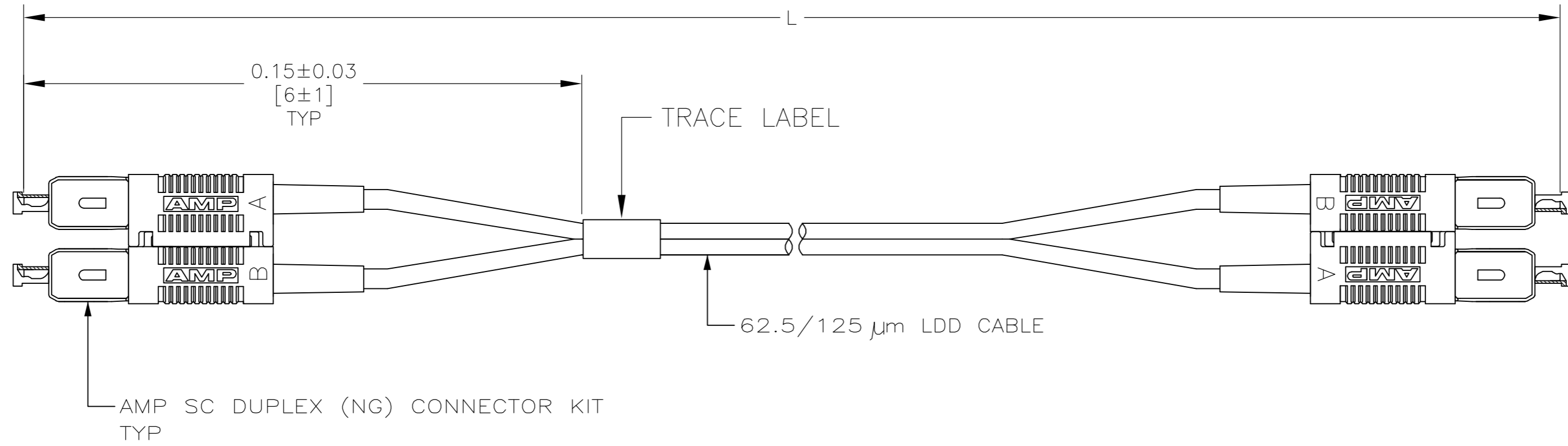


THIS DRAWING IS UNPUBLISHED. RELEASED FOR PUBLICATION
 © COPYRIGHT BY TYCO ELECTRONICS CORPORATION. ALL RIGHTS RESERVED.

LOC	DIST	REVISIONS					
CE	16	P	LTR	DESCRIPTION	DATE	DWN	APVD
		A		RELEASE PER NPR	25 OCT 05	CSV	JD

- MAXIMUM CONNECTOR INSERTION LOSS IS 0.5 dB PLUS CABLE ATTENUATION OF 1.5dB/km AT 1300nm (SEE TABLE)
- PRODUCT AND PROCESSING MUST MEET REQUIREMENTS OF TYCO ELECTRONICS STANDARD 230-702



0.95	300.00±3.00 [11811.02±118.11]	9-5492249-9
0.65	100.00±1.00 [3937.01±39.37]	9-5492249-8
0.55	35.00±0.35 [1377.95±14.00]	3-5492249-5
0.55	30.00±0.30 [1181.10±11.81]	3-5492249-0
0.54	25.00±0.30 [984.25±11.81]	2-5492249-5
0.53	20.00±0.30 [787.40±11.81]	2-5492249-0
0.52	15.00±0.15 [590.60±6.00]	1-5492249-5
0.52	10.00±0.15 [393.70±5.91]	1-5492249-0
0.51	8.00±0.15 [315.00±6.00]	5492249-8
0.51	6.00±0.08 [236.20±3.00]	5492249-6
0.51	5.00±0.08 [196.85±3.15]	5492249-5
0.50	3.00±0.05 [118.11±1.97]	5492249-3
0.50	2.00±0.05 [78.74±1.97]	5492249-2
0.50	1.00±0.05 [39.37±1.97]	5492249-1
MAX IL (dB)	L	PART NUMBER

THIS DRAWING IS A CONTROLLED DOCUMENT.

DWN	C.S.VASU	25 OCT 05	Tyco Electronics Corporation Harrisburg, Pa 17105-3608
CHK	J.DUNCAN	25 OCT 05	
APVD	J.DUNCAN	25 OCT 05	
PRODUCT SPEC	J.DUNCAN	25 OCT 05	
APPLICATION SPEC			NAME
WEIGHT			SIZE
CUSTOMER DRAWING			CAGE CODE
SCALE			DRAWING NO
SHEET			RESTRICTED TO
REV			

DIMENSIONS: METERS [INCHES]
 TOLERANCES UNLESS OTHERWISE SPECIFIED:
 0 PLC ± -
 1 PLC ± -
 2 PLC ± -
 3 PLC ± -
 4 PLC ± -
 ANGLES ± -
 FINISH -

NAME: CABLE ASSEMBLY, 62.5/125 LDD, AMP SC DUPLEX (NG), OPTIMATE
 SIZE: A2
 CAGE CODE: 00779
 DRAWING NO: C=5492249
 SCALE: NTS
 SHEET: 1 OF 1
 REV: A

5492249