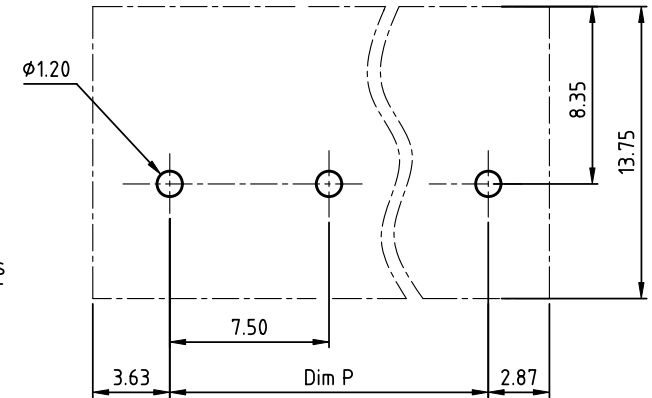
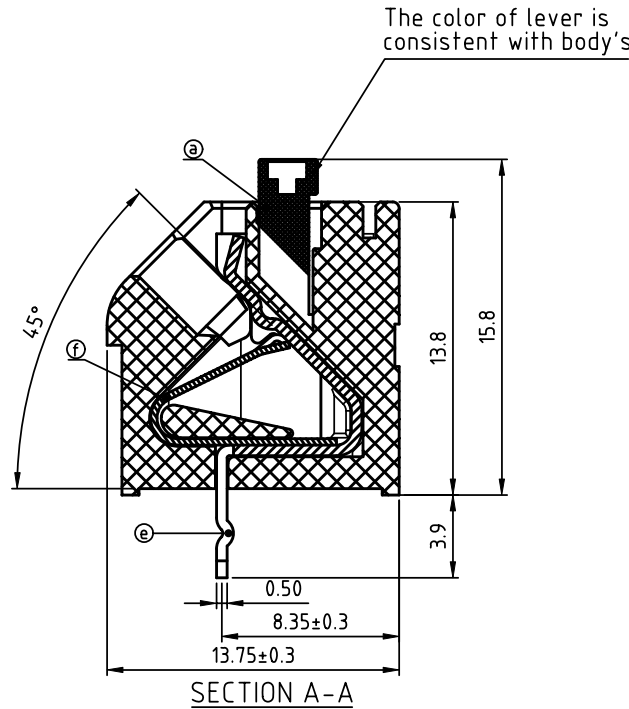
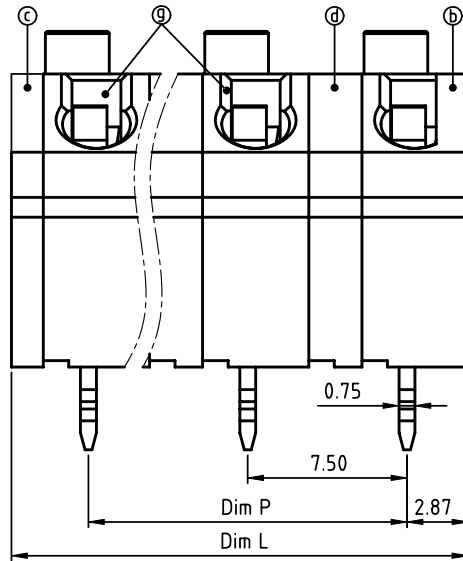
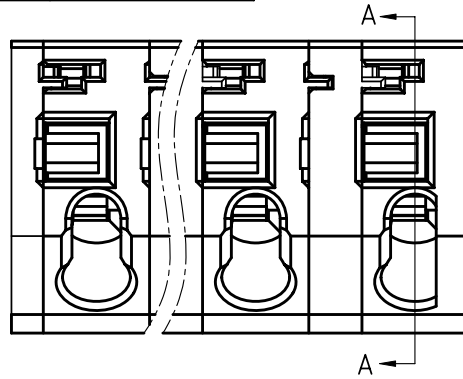


PRODUCT NUMBER	PITCH
NExx20x000JOG	7.50mm



RECOMMENDED P.C.B LAYOUT
TOP VIEW

Material:

- Item@ Terminal lever: Thermoplastic (UL94 V-0)
- ItemⓄ Terminal side housing: Thermoplastic (UL94 V-0)
- ItemⒸ Terminal cover: Thermoplastic (UL94 V-0)
- ItemⓈ Pad board: Thermoplastic (UL94 V-0)
- ItemⓂ Solder pin: Brass Tin plated
- ItemⓁ Spring clamp: Stainless steel
- Itemⓐ Terminal middle housing: Thermoplastic (UL94 V-0)

Electrical cULus

- Voltage rating: 300V
- Current rating: 10A
- Solid wire(AWG): 16-20
- Wire strip length: 7-8mm
- Withstanding Voltage: 1.6KV
- Operating temperature: -40°C to +115°C
- Soldering temperature: 260°C±5°C/5 Sec
- Safety Approval:

N=Number of poles
Dim L=Nx7.5-1.0
Dim P=(N-1)x7.5

Poles	Dim L	Dim P
1p	±0.10	
2-6p	±0.20	±0.20
7-12p	±0.30	±0.25
13-16p	±0.35	±0.30

PART NO.: NE xx 20 x 000J0 G

No. of poles	Color	RoHS compliant (lead<4%) In copper Alloy
0	Black (RAL9005)	
End Stackable	2 Red (RAL3001/D)	
01 1 poles	3 Orange(RAL2011/P)	
02 2 poles	4 Yellow(RAL1018/A)	
...	5 Green(RAL6018/T)	
16 16 poles	6 Blue (RAL5015/A)	
	8 Grey(RAL7004/P)	
	9 White(RAL1102)	
	C Multiple colors	

mat'l. code		surface ASME Y14.5	tolerance ASME Y14.5	projection	product family
ltr	ecn no	dr	date		TERMINAL BLOCK
tolerances unless otherwise specified				MM	title
angles				scale	TERMINAL BLOCK
X°±1°					SPRING CLAMP, 45D WIRE INLET
X.X±0.3					
X.XX±0.1					dwg no
dr EVIN ZHONG 052714					sheet 1 of 1
enr EVIN ZHONG 052714					size
chr HANKE FENG 052714					NExx20x000JOG
appd SHI JUN 052714					A4
sheet index	revision	A		type CUSTOMER Drawing	
	sheet	1			