

HI-CONTACT™ LIQUID COLD PLATE

Aavid Hi-Contact™ tube liquid cold plates feature a high performance assembly utilizing a continuous tube press fit into an extruded aluminum plate. The patented geometry used in the Aavid Hi-Contact™ process moves the fluid closer to the device generating heat, achieving the best thermal performance from a tube cold plate.

To further increase the performance of Aavid's Hi-Contact™ liquid cold plates, a thermal epoxy is applied to the joint to provide a gap free thermal interface between the tube and the plate.

AVAILABLE OPTIONS

- *Tube Material: Stainless Steel, Cupronickel*
- *Finishes: AavSHIELD, AavSHIELD³*

PART NUMBERS

416401U00000G – Unfinished



FEATURES & BENEFITS:

- Cost Effective
- High Performance Leak Free Joints
- Hi-Contact™ for Better Heat Transfer

HI-CONTACT™ PRODUCT SPECIFICATIONS

Property	Details
Plate Details	Extruded Aluminum
Tube Material	Copper 9.5mm O.D. x 1.24mm wall
Standard Finish	Unfinished
Epoxy	Aluminum Filled - High Thermal Conductivity

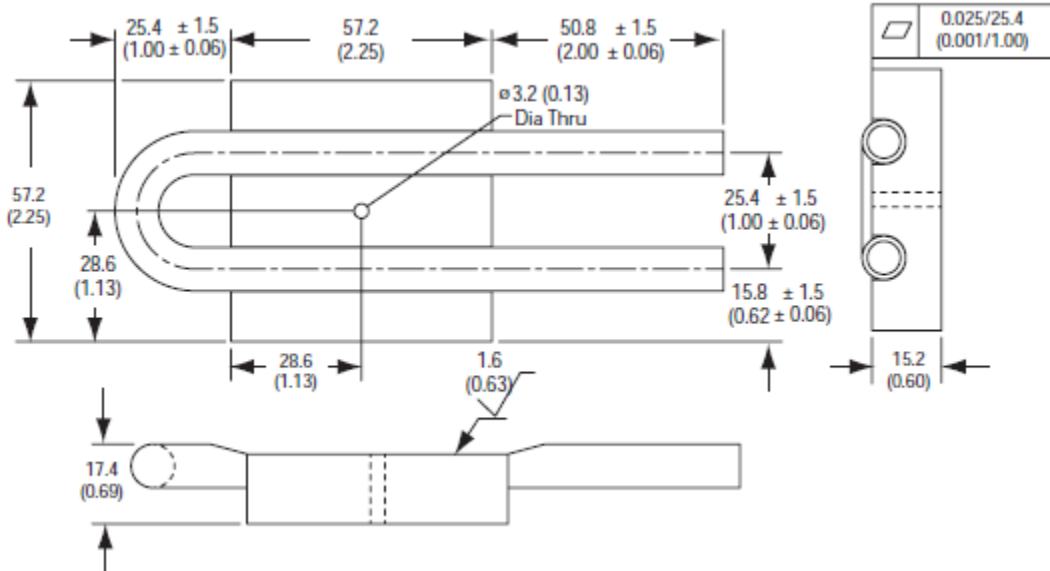
Measurement	mm	in
Length	57.15	2.25
Width	57.15	2.25
Thickness	15.24	0.60



MECHANICAL

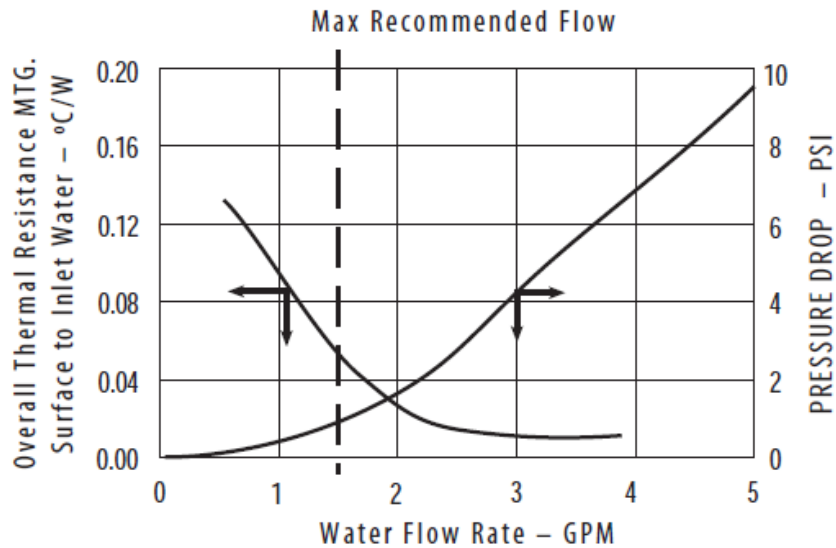
Dimensions are shown in mm

Figure 1



PERFORMANCE – 2 PASS

Figure 2



Aavid reserves the right to make changes to the products or information contained herein without notice. No liability is assumed as a result of their use or applications. For additional information, please contact Aavid directly.