

DETAIL X
SCALE 2:1

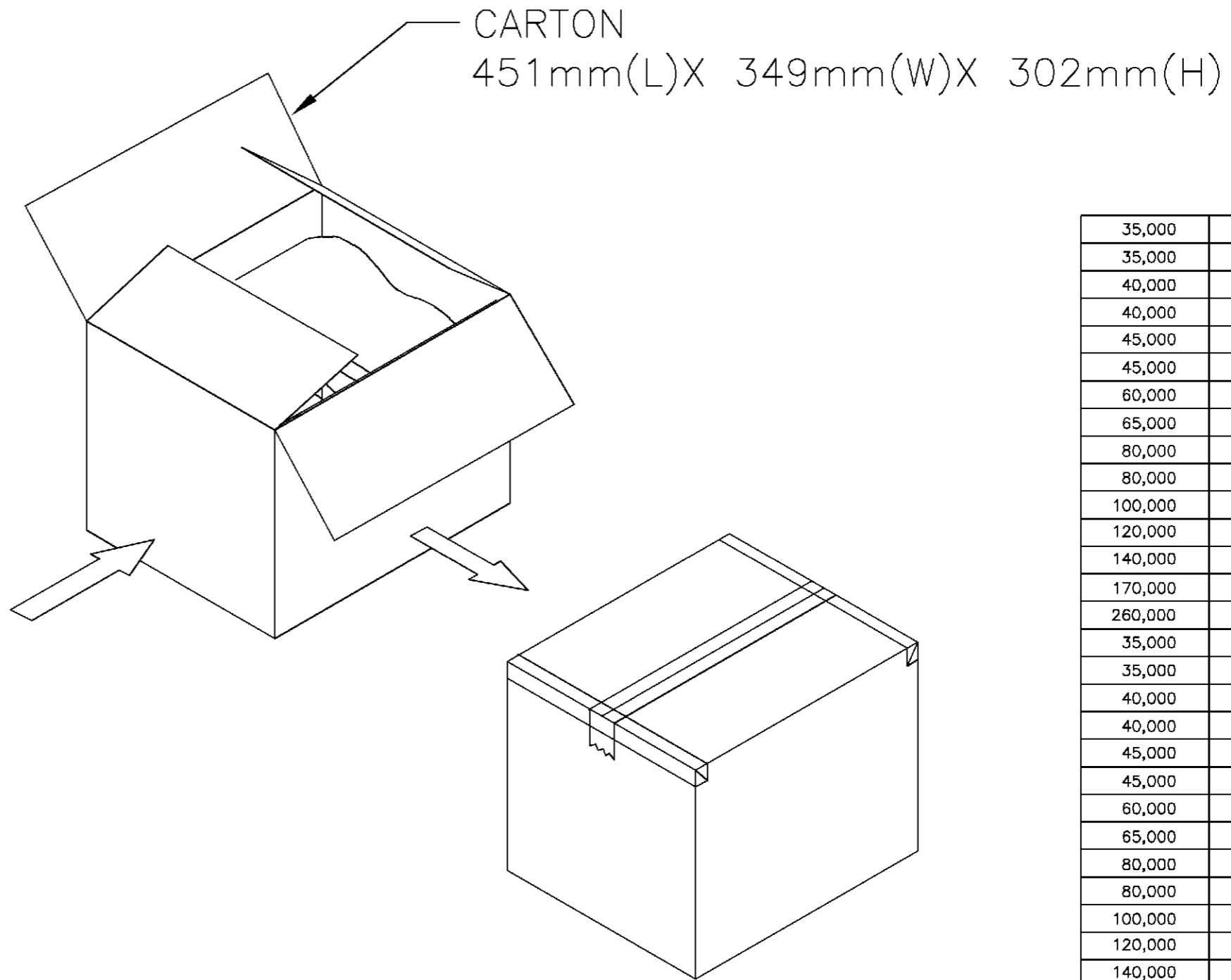
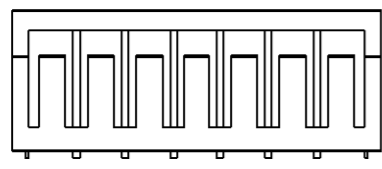
NOTE:
1. MATERIAL :
HOUSING : THERMOPLASTIC UL94V-0,
COLOR: SEE TABLE.

HOUSING COLOR	DIM. B	DIM. A	POS.	PART NUMBER
YELLOW	33.2	30.00±0.20	16	3-1470201-6
	31.2	28.00±0.20	15	3-1470201-5
	29.2	26.00±0.20	14	3-1470201-4
	27.2	24.00±0.20	13	3-1470201-3
	25.2	22.00±0.15	12	3-1470201-2
	23.2	20.00±0.15	11	3-1470201-1
	21.2	18.00±0.15	10	3-1470201-0
	19.2	16.00±0.15	9	2-1470201-9
	17.2	14.00±0.10	8	2-1470201-8
	15.2	12.00±0.10	7	2-1470201-7
	13.2	10.00±0.10	6	2-1470201-6
	11.2	8.00±0.08	5	2-1470201-5
	9.2	6.00±0.08	4	2-1470201-4
	7.2	4.00±0.05	3	2-1470201-3
	5.2	2.00±0.05	2	2-1470201-2
	NATURAL	33.2	30.00±0.20	16
31.2		28.00±0.20	15	1-1470201-5
29.2		26.00±0.20	14	1-1470201-4
27.2		24.00±0.20	13	1-1470201-3
25.2		22.00±0.15	12	1-1470201-2
23.2		20.00±0.15	11	1-1470201-1
21.2		18.00±0.15	10	1-1470201-0
19.2		16.00±0.15	9	1470201-9
17.2		14.00±0.10	8	1470201-8
15.2		12.00±0.10	7	1470201-7
13.2		10.00±0.10	6	1470201-6
11.2		8.00±0.08	5	1470201-5
9.2		6.00±0.08	4	1470201-4
7.2		4.00±0.05	3	1470201-3
5.2		2.00±0.05	2	1470201-2

DIMENSION : 0 PLC ± 1 PLC ±0.20 2 PLC ±0.10 3 PLC ±0.05 ANGLES ±	DWN	O. HU	TE Connectivity NAME 2.0 MM PITCH, CRIMP, VERTICAL HOUSING.
	MATERIAL	APVD	
SEE NOTE	CHK	J. CHENG	PRODUCT SPEC 108-57158
FINISH	QUALIFICATION TEST REPORT	501-57248	LOC DW A ₃ DRAWING NO C-1470201 REV B1
SEE NOTE	WEIGHT		SCALE -- SHEET 1 OF 2

B1	REVISION RECORD	ECO	REVISOR	RK	HMR	5APR11
LTR	ECO	ECO	DATE	DWN	CHK	DATE

POLY BAG



35,000	1000	3-1470201-6
35,000	1000	3-1470201-5
40,000	1000	3-1470201-4
40,000	1000	3-1470201-3
45,000	1000	3-1470201-2
45,000	1000	3-1470201-1
60,000	1000	3-1470201-0
65,000	1000	2-1470201-9
80,000	1000	2-1470201-8
80,000	1000	2-1470201-7
100,000	1000	2-1470201-6
120,000	1000	2-1470201-5
140,000	1000	2-1470201-4
170,000	1000	2-1470201-3
260,000	1000	2-1470201-2
35,000	1000	1-1470201-6
35,000	1000	1-1470201-5
40,000	1000	1-1470201-4
40,000	1000	1-1470201-3
45,000	1000	1-1470201-2
45,000	1000	1-1470201-1
60,000	1000	1-1470201-0
65,000	1000	1470201-9
80,000	1000	1470201-8
80,000	1000	1470201-7
100,000	1000	1470201-6
120,000	1000	1470201-5
140,000	1000	1470201-4
170,000	1000	1470201-3
260,000	1000	1470201-2
APQ (PCS/CARTON)	PPQ (PCS/BAG)	PART NUMBER

DIMENSION : 0 PLC ± 1 PLC ± 2 PLC ± 3 PLC ± ANGLES ±	DWN	O. HU	TE Connectivity
		25-OCT-2002	
MATERIAL	CHK	J. CHENG	NAME
		25-OCT-2002	
SEE NOTE	APVD	J. WU	LOC
		25-OCT-2002	
SEE NOTE	PRODUCT SPEC		DRAWING NO
			C-1470201
	APPLICATION SPEC		REV
	WEIGHT		B1
			SCALE
			SHEET
			2 OF 2

		SEE SHEET 1.		
LTR	REVISION RECORD	ECO	DWN	DATE
			CHK	