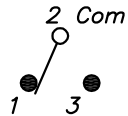
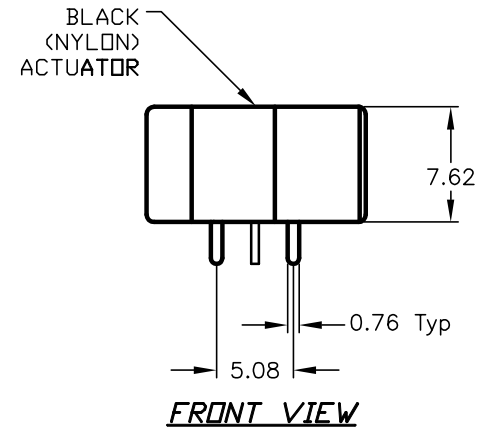
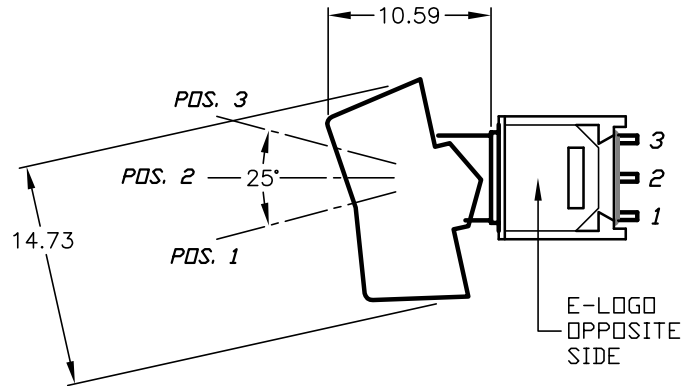


RECOMMENDED P.C.B LAYOUT

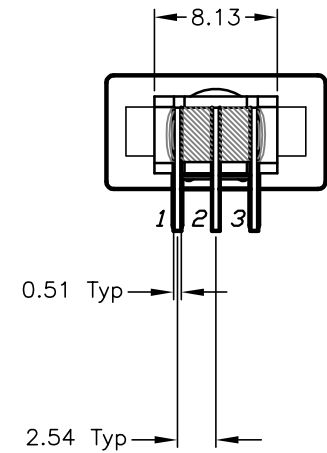
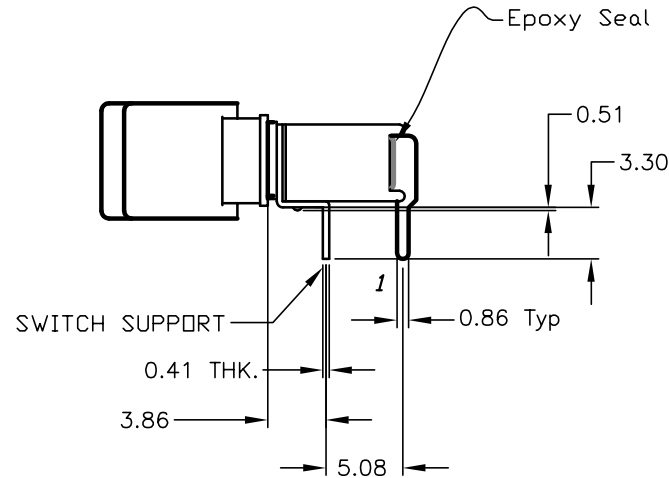


CIRCUIT: SPDT

SWITCH FUNCTION		
PDS. 1	PDS. 2	PDS. 3
ON	NONE	ON
2-3	OPEN	2-1



FRONT VIEW



NOTES:

1. ALL DIMENSIONS IN MM
2. GENERAL TOLERANCE: X.X=±0.4  
X.XX=±0.25
3. TERM. NOS. FOR REF. ONLY
4. CONTACT RATING: 3A @120V AC or 28VDC;  
1A @250V AC
- ▲ 5. FIXED TERMINAL & MOVING CONTACT:  
SILVER PLATED COPPER ALLOY
6. ELECTRIC LIFE: 30,000 make-and-break cycles  
at full load.
7. INSULATION RESISTANCE: 1,000 M ohm min.
8. DIELECTRIC STRENGTH: 1,000 V RMS @sea level.
9. OPERATING TEMP.: -30°C to +85°C
10. ▲ DENOTES CRITICAL PARAMETER.

**E-SWITCH®**

TITLE					400MSP1R1BLKM6QE				
SCALE	DATE	DR	DWG	REV					
2:1	4/20/04	AR	T411105	A					

A	13943	RELEASED FOR PRODUCTION	4/20/04	AR
REV.	ECN No.	DESCRIPTION	DATE	CHKD

THE INFORMATION CONTAINED IN THIS DOCUMENT IS PROPRIETARY TO E-SWITCH AND IS NOT TO BE COPIED OR TRANSFERRED