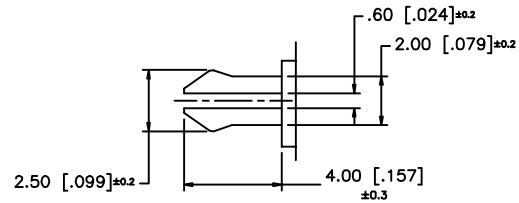
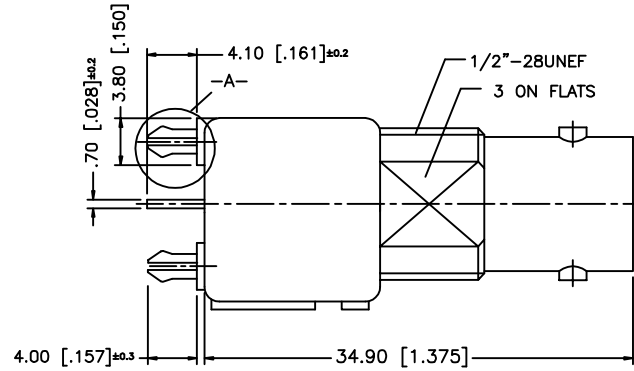
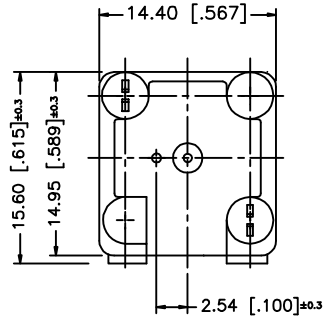
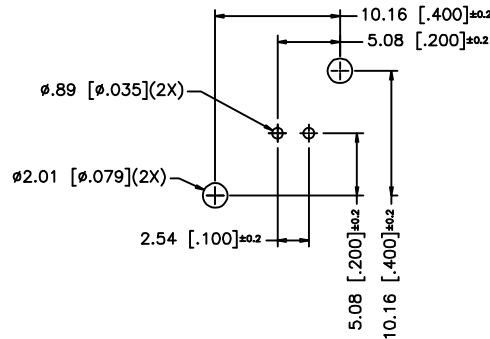


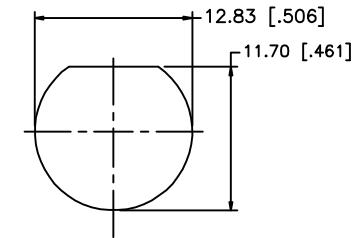
REV.	DATE	ECR NO	DESCRIPTION
NC	05/07/98	--	INITIAL RELEASE
A	07/28/06	--	REVISE PCB MOUNTING LEGS, UPDATE DRAWING FORMAT
B	02/17/10	2012	HARDWARES REMOVED



DETAIL -A-  
(2X SCALE)



PCB MOUNTING HOLES



RECOMMENDED  
MOUNTING HOLE

DESCRIPTION	MATERIAL	FINISH	UNLESS OTHERWISE SPECIFIED DIMENSIONS ARE IN MILLIMETERS	APPROVALS	DATE	Amphenol Connex				
1 BODY	DIE CAST	NICKEL	DIMENSIONS IN [ ] ARE IN INCHES FOR CUSTOMER REFERENCE ONLY	DRAWN	02/17/10	TITLE BNC STRAIGHT PC MOUNT RECEPT. JACK 50 ohm				
2 INSULATOR	P.P.	NATURAL		CHECKED						
3 CONTACT PIN	PHOS. BRONZE	GOLD	UNLESS OTHERWISE SPECIFIED TOLERANCES FOR MILLIMETERS ARE: 0.5-6 = ± 0.2 6-30 = ± 0.4 30-120 = ± 0.6 120-315 = ± 1 315-1000 = ± 1.6 1000-2000 = ± 2.4	ISSUED		SIZE	FSCM NO.	DWG. NO.	REV.	
4						A	99001	112488.DWG	B	
5						SCALE	NA	PART NO.	112488	SHEET
6										1 OF 1
7										
8			DO NOT SCALE DRAWING							