

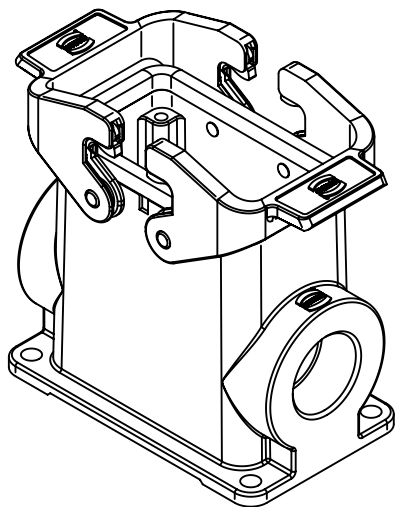
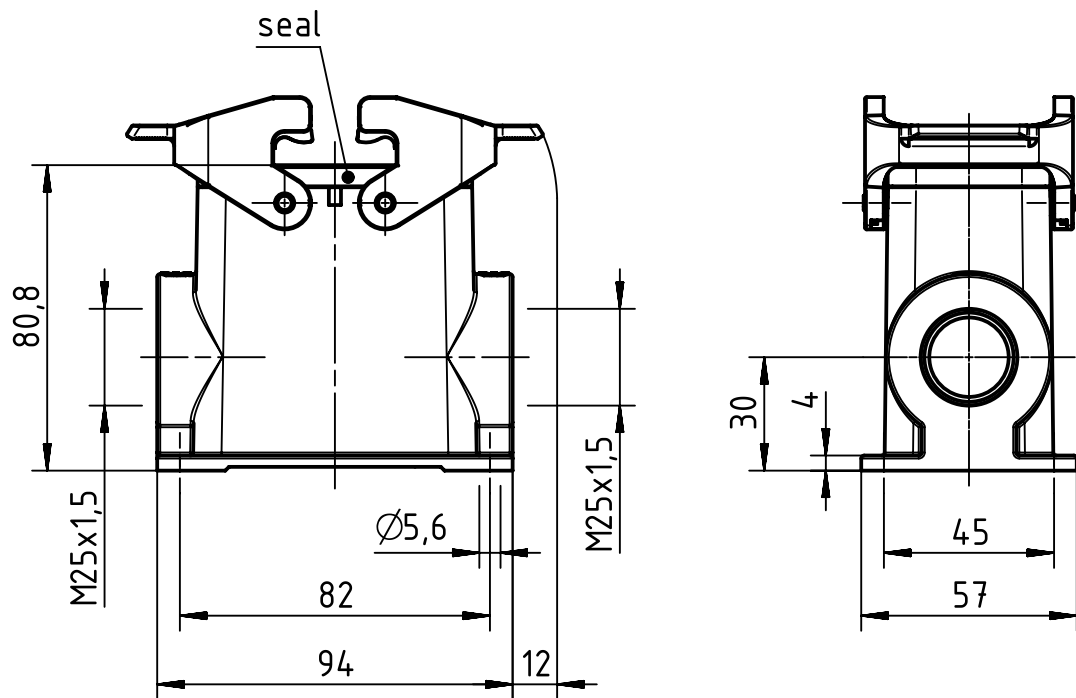
1 2 3 4 5 6


A

B

C

D



	All rights reserved Department EL PD - DE	All Dimensions in mm Original Size DIN A4		Scale 1:2	Free size tol.		Ref. Sub. TB 19 30 010 0271 v. 19.02.09	
		HARTING Electric GmbH & Co. KG D-32339 Espelkamp		Created by SPRENB	Inspected by	Standardisation	Date 2014-01-30	State Release Process
Title Han B Base Surface HC 2 Levers 1 x M25							Doc-Key / ECM-Nr. 100209276/UGD/006/A 500000071121	
Type TB				Number 19 30 010 0271			Rev. A	Page 1/1